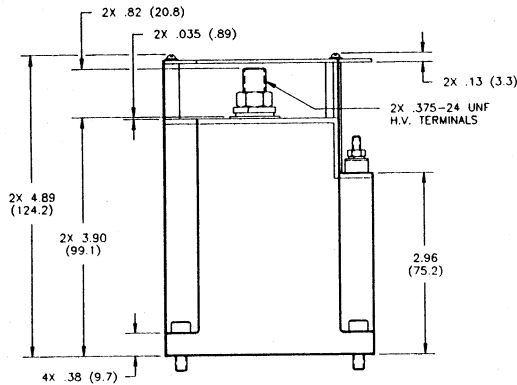


KILOVAC AP350X – 500 Amps (“BUBBA”)



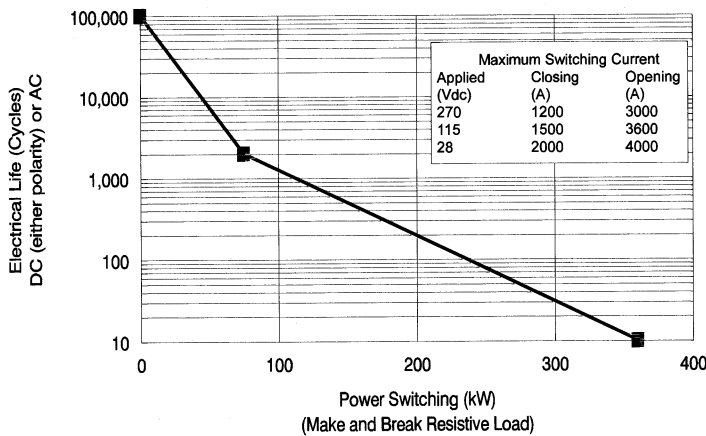
Note: Dimensions are expressed as inches (mm).

Features:

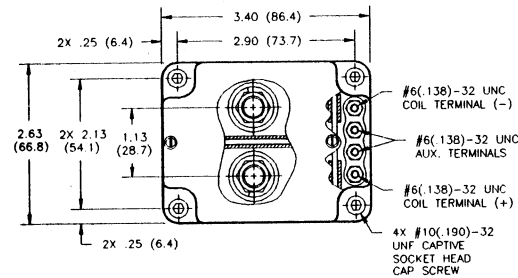
- 500 A carry, 1200 A make, 3000 A break @ 270 Vdc
- Bi-directional power switching
- Auxiliary Contacts
- Built-in coil power economizing - 6 W holding
- Versatile power, voltage, and current operating range
- Excellent for safety disconnect and transfer switch applications
- Ideal for circuit protection control
- Hermetically-sealed contacts; can operate in harsh environments
- Designed for main generator loads
- Qualified to SAE ARD 50031 270 Vdc General Relay Spec.
- Space-rated version built in accordance with customers SCD.

ELECTRICAL LIFE CYCLES vs POWER SWITCHING

(Data from 270Vdc Testing*)



*Failure Mode: Dielectric withstand voltage test @ 2000Vdc, power terminal to terminal, leakage exceeds 1.0 mA.
Current Carry: 500 A @ 25°C. Derate 2.5 A/°C to 350A @ 85°C for still air, no heat sink, AWG#00 conductor.



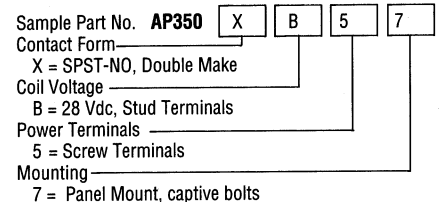
PRODUCT SPECIFICATIONS

Part Number	UNIT	AP350X
Contact Arrangement with:	Form X	SPST-NO
Auxiliary Contact (28 Vdc, 0.1 A)	Form A	SPST-NO
Rated Resistive Load @ 270 Vdc, 85°C	A	350
Continuous Current Carry, Max., 25°C		500
Overload Current @ 270 Vdc, Max.		
Make (closed into)		1200
Break (open)		3000
Contact Resistance, Max.	mohm	0.2
Dielectric at Sea Level (< 1mA leakage)		
Open Power Terminal to Terminal	Vrms	2000
Closed Power Terminals to All Other Points		2000
Shock, 11ms 1/2 Sine (peak)	g	25
Vibration, Sinusoidal (55-2000 Hz, peak)		10
Operating Ambient Temperature Range	° C	-55 to +85
Load Life	cycles	See graph
Operate Time @ 25°C	ms	
Close (includes bounce), typical		35
Bounce (occurs when closing), Max.		5
Open (includes arcing), Max.		20
Insulation Resistance @ 500 Vdc, Min.		
Initial/End of Life	Mohm	100/50
Weight, Nominal	pound (kg)	3.35 [1.52]

COIL DATA

Parameter	Units	Elec. Held
Type Driver	--	"PWM" Econ.
Voltage (nominal)	Vdc	28
Pickup (close), max.	Vdc	20
Dropout (open), max.	Vdc	11
Current (@ 28V, 25°C)		
Inrush	A	2.1
Holding (standby)	A	0.21
Inrush Time, max.	ms	200

PART NUMBER SELECTION



Refer to EV500 Sales Drawing for complete specifications.