

**PLEASE CHECK WWW.MOLEX.COM FOR LATEST PART INFORMATION**

**Part Number:** [11-32-5759](#)  
**Status:** **Active**  
**Description:** IDT - Manual - Handtool

**Documents:**

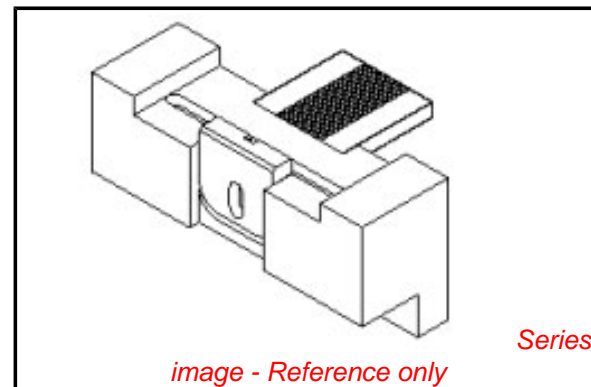
[RoHS Certificate of Compliance \(PDF\)](#)

**General**

|                                |  |
|--------------------------------|--|
| Product Family                 | Application Tooling  |
| Series                         | <a href="#">T1362</a>  |
| Comments                       | Hand Tool  |
| Function                       | Insulation Displacement (IDT)  |
| Geographic Area                | Global   |
| Level of Automation            | Manual   |
| More Detailed Tech Information | <a href="mailto:applicationtooling@molex.com">applicationtooling@molex.com</a>                           |
| Product Name                   | N/A  |
| Survey                         | <a href="http://www.molex.com//review/apptool_survey.html">www.molex.com//review/apptool_survey.html</a> |
| Tool Type                      | Handtool   |

**Material Info**

Old Part Number AM63186



**EU RoHS**

**China RoHS**

**Compliance Status**

**Not Reviewed**

**REACH SVHC**

**Not Reviewed**

**Low-Halogen Status**

**Not Reviewed**

**Need more information on product environmental compliance?**

Email [productcompliance@molex.com](mailto:productcompliance@molex.com)  
 For a multiple part number RoHS Certificate of Compliance, [click here](#)

Please visit the [Contact Us](#) section for any non-product compliance questions.

**Search Parts in this Series**

[T1362Series](#)

**PLEASE CHECK WWW.MOLEX.COM FOR LATEST PART INFORMATION**