

### Features and Benefits

- Wide operating voltage range from 2.5V to 24V
- Medium sensitivity
- CMOS technology
- Chopper-stabilized amplifier stage
  - Superior temperature stability
  - Extremely low switchpoint drift
  - Insensitive to physical stress
- Low current consumption
- Open drain output
- Tiny SOT23 3L or flat SIP 3L both RoHS Compliant packages

### Application Examples

- Automotive, Consumer and Industrial
- Solid-state switch
- Interrupter
- Speed detection
- Linear position detection
- Angular position detection
- Proximity detection

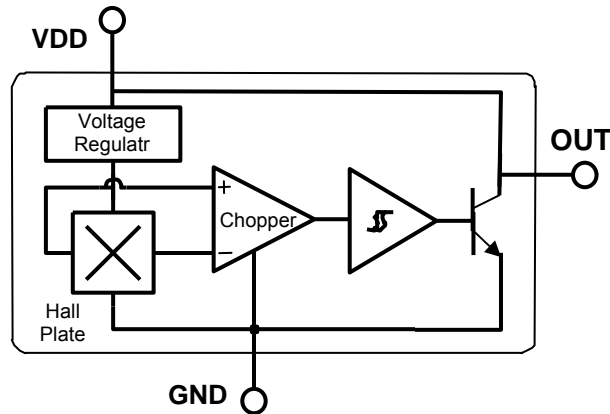


3 pin SOT23 (suffix SO)



3 pin SIP (suffix UA)

### Functional Block Diagram



SIP Package	SOT Package
Pin 1 – V <sub>DD</sub>	Pin 1 – V <sub>DD</sub>
Pin 2 – GND	Pin 2 – OUT
Pin 3 – OUT	Pin 3 – GND

## General Description

The SS5682 is a unipolar Hall effect sensor IC fabricated from mixed signal CMOS technology. The device integrates a voltage regulator, Hall sensor with dynamic offset cancellation system, Schmitt trigger and an open-drain output driver, all in a single package.

It incorporates advanced chopper stabilization techniques to provide accurate and stable magnetic switch points. There are many applications for this HED – Hall Electronic Device - in addition to those

listed above.

Thanks to its wide operating voltage range and extended choice of temperature range, it is quite suitable for use in automotive, industrial and consumer applications.

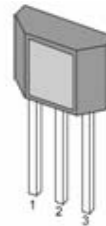
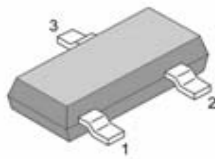
The device is delivered in a Small Outline Transistor (SOT) for surface mount process or in a Plastic Single In Line (SIP flat) for through-hole mount. Both 3-lead packages are RoHS compliant.

## Glossary of Terms

MilliTesla (mT),	Gauss	Units of magnetic flux density: 1mT = 10 Gauss
RoHS		Restriction of Hazardous Substances
SOT		Small Outline Transistor (SOT package) – also referred with the package code “SO”
ESD		Electro-Static Discharge
BLDC		Brush-Less Direct-Current
Operating Point ( $B_{OP}$ )		Magnetic flux density applied on the branded side of the package which turns the output driver ON ( $V_{OUT} = V_{DSon}$ )
Release Point ( $B_{RP}$ )		Magnetic flux density applied on the branded side of the package which turns the output driver OFF ( $V_{OUT} = \text{high}$ )

### Pins Definition and Description

SOT Pin №	SIP Pin №	Name	Type	Function
1	1	VDD	Supply	Supply Voltage pin
2	3	OUT	Output	Open Drain Output pin
3	2	GND	Ground	Ground pin



### Unique Features

Based on mixed signal CMOS technology, SS5682 is a Hall-effect device with high magnetic sensitivity. This multi-purpose latch meets most of the application requirements.

The chopper-stabilized amplifier uses switched capacitor technique to suppress the offset generally observed with Hall sensors and amplifiers. The CMOS technology makes this advanced technique possible and contributes to smaller chip size and lower current consumption than bipolar technology. The small chip size is also an important factor to minimize the effect of physical stress. This combination results in more stable magnetic characteristics and enables faster and more precise design.

The wide operating voltage from 2.5V to 24V, low current consumption and large choice of operating temperature range according to “L”, “K” and “E” specifications make this device suitable for automotive, industrial and consumer applications.

### Absolute Maximum Ratings

Parameter	Symbol	Value	Units
Supply Voltage	VDD	28	V
Supply Current	IDD	50	mA
Output Voltage	VOUT	28	V
Output Current	IOUT	50	mA
Storage Temperature Range	TS	-50 to 150	°C
Maximum Junction Temperature	TJ	165	°C

Operating Temperature Range	Symbol	Value	Units
Temperature Suffix "E"	TA	-40 to 85	°C
Temperature Suffix "K"	TA	-40 to 125	°C
Temperature Suffix "L"	TA	-40 to 150	°C

Exceeding the absolute maximum ratings may cause permanent damage. Exposure to absolute-maximum- rated conditions for extended periods may affect device reliability.

### General Electrical Specifications

DC Operating Parameters  $T_A = 25^\circ\text{C}$ ,  $V_{DD} = 2.5\text{V}$  to  $24\text{V}$  (unless otherwise specified)

Parameter	Symbol	Test Conditions	Min	Typ	Max	Units
Supply Voltage	VDD	Operating	2.2		24	V
Supply Current	IDD	$B < B_{RP}$			5	mA
Output Saturation Voltage	VDSon	$I_{OUT} = 20\text{mA}$ , $B > B_{OP}$			0.5	V
Output Leakage Current	I <sub>OFF</sub>	$B < B_{RP}$ $V_{OUT} = 24\text{V}$		1	10	μA
Output Rise Time	t <sub>r</sub>	$R_L = 1\text{k}\Omega$ , $C_L = 20\text{pF}$		0.25		μs
Output Fall Time	t <sub>f</sub>	$R_L = 1\text{k}\Omega$ , $C_L = 20\text{pF}$		0.25		μs
Maximum Switching Frequency	FSW	---		10		KHz
Package Thermal Resistance	RTH	Single layer (1S) Jeduc board		301		°C/W

**Note:** The output of SS5682 will be switched after the supply voltage is over 2.2V, but the magnetic characteristics won't be normal until the supply is over 2.5V.

### Magnetic Specifications

DC Operating Parameters  $V_{DD} = 2.5\text{V}$  to  $24\text{V}$  (unless otherwise specified)

Parameter	Symbol	Test Conditions	Min	Typ	Max	Units
Operating Point	$B_{OP}$	E spec., $T_A = 85^\circ\text{C}$	-110		-90	G
Release Point	$B_{RP}$		-80		-40	G
Hysteresis	$B_{HYS}$		30	40	50	G
Operating Point	$B_{OP}$	K spec., $T_A = 125^\circ\text{C}$	-120		-80	G
Release Point	$B_{RP}$		-90		-30	G
Hysteresis	$B_{HYS}$		30	40	50	G
Operating Point	$B_{OP}$	L spec., $T_A = 150^\circ\text{C}$	-130		-70	G
Release Point	$B_{RP}$		-100		-20	G
Hysteresis	$B_{HYS}$		30	40	50	G

### Output Behaviour versus Magnetic Pole

DC Operating Parameters  $T_A = -40\text{ C to }150\text{ C}$ ,  $V_{DD} = 2.5\text{V to }24\text{V}$  (unless otherwise specified)

Parameter	Test Conditions	Out
North pole (TO)	$B > B_{OP}$	Low
South pole (SOT)	$B > B_{OP}$	Low
Null or weak magnetic field	$B = 0$ or $B < BRP$	High

Table : Output behaviour versus magnetic pole



### Application Information

It is strongly recommended that an external bypass capacitor be connected (in close proximity to the Hall sensor) between the supply ( $V_{DD}$  Pin) and ground ( $GND$  Pin) of the device to reduce both external noise and noise generated by the chopper stabilization technique. As is shown in the two figures in next page, a  $0.1\mu\text{F}$  capacitor is typical.

For reverse voltage protection, it is recommended to connect a resistor or a diode in series with the  $V_{DD}$  pin. When using a resistor, three points are important:

- the resistor has to limit the reverse current to 50mA maximum ( $V_{CC} / R_1 \leq 50\text{mA}$ )
- the resulting device supply voltage  $V_{DD}$  has to be higher than  $V_{DD\text{ min}}$  ( $V_{DD} = V_{CC} - R_1 \cdot I_{DD}$ )
- the resistor has to withstand the power dissipated in reverse voltage condition ( $P_D = V_{CC}^2 / R_1$ )

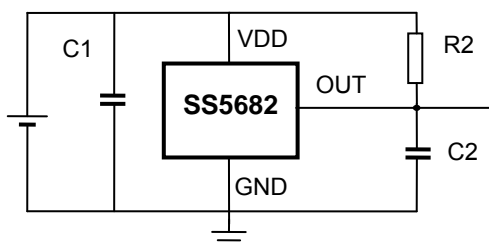
When using a diode, a reverse current cannot flow and the voltage drop is almost constant ( $\approx 0.7\text{V}$ ).

Therefore, a  $100\Omega/0.25\text{W}$  resistor for 5V application and a diode for higher supply voltage are recommended. Both solutions provide the required reverse voltage protection.

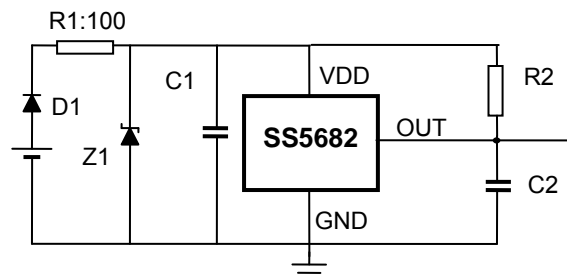
When a weak power supply is used or when the device is intended to be used in noisy environment, it is recommended that figure 13.3 from the Application Information section is used.

The low-pass filter formed by  $R_1$  and  $C_1$  and the Zener diode  $Z_1$  bypass the disturbances or voltage spikes occurring on the device supply voltage  $V_{DD}$ . The diode  $D_1$  provides additional reverse voltage protection.

#### Typical Three-Wire Application Circuit



#### Automotive and Severe Environment Protection Circuit



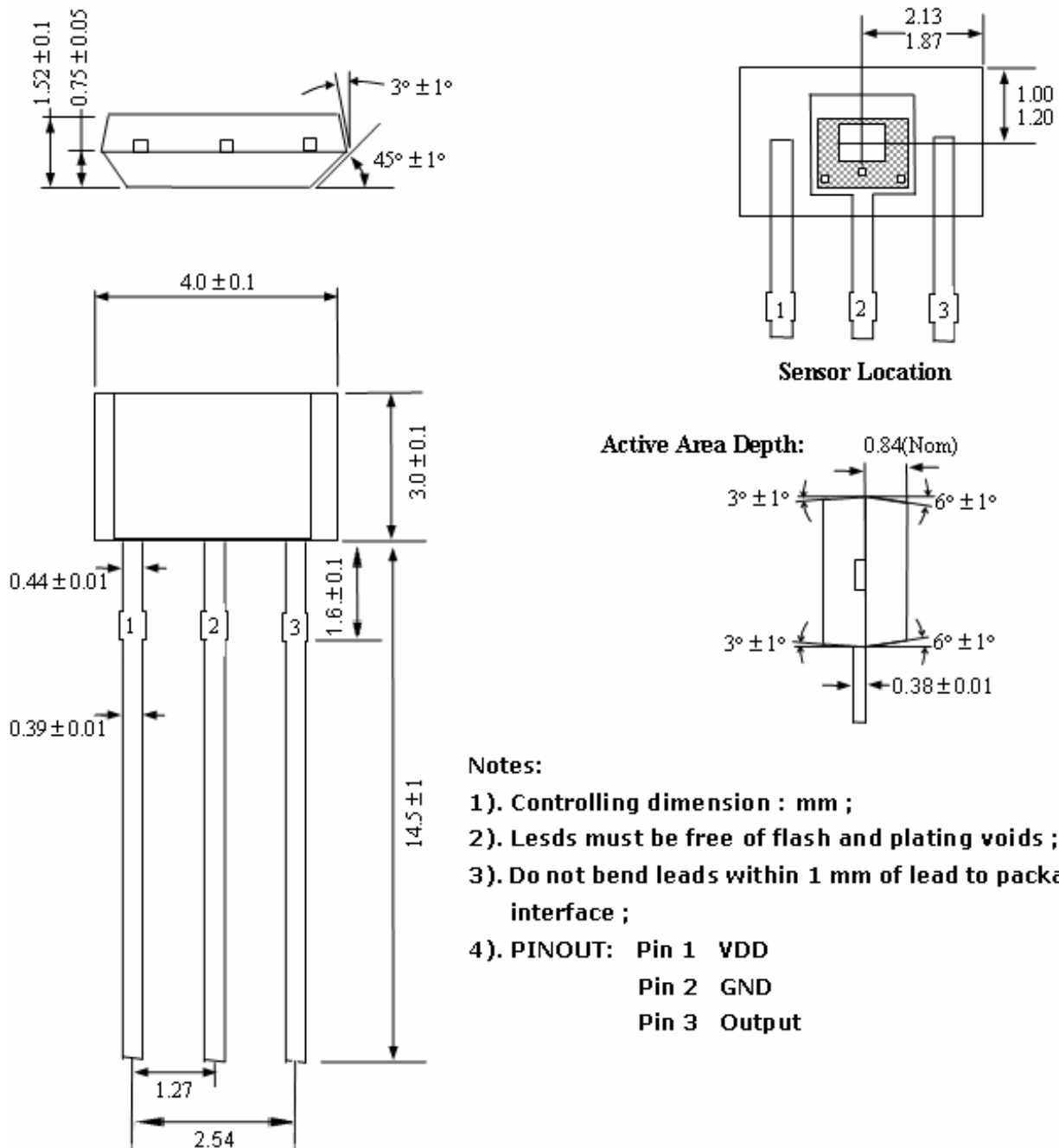
### **ESD Precautions**

Electronic semiconductor products are sensitive to Electro Static Discharge (ESD).

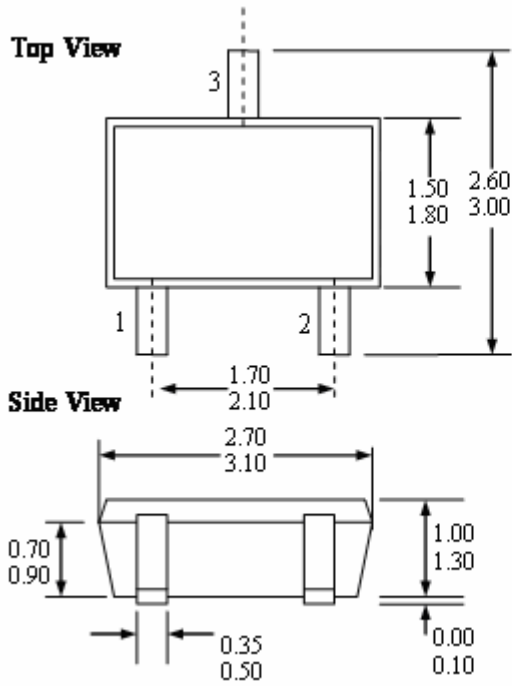
Always observe Electro Static Discharge control procedures whenever handling semiconductor products.

**Package Information**

**Package UA, 3-Pin SIP(TO-92):**



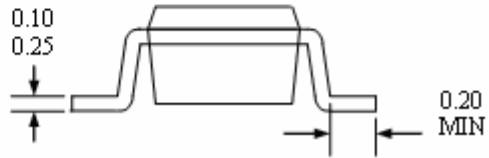
**Package SO, 3-Pin (SOT-23):**



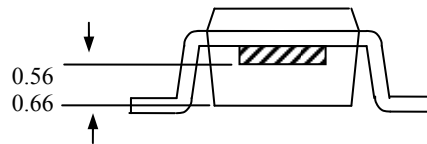
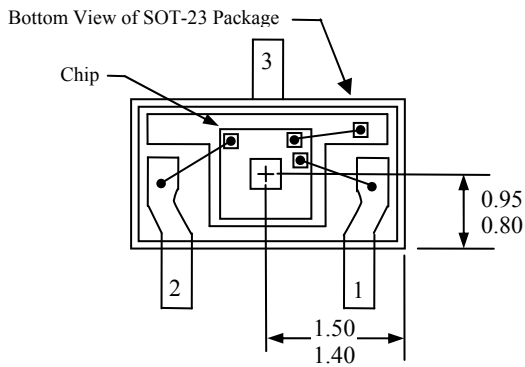
**Notes:**

- 1). PINOUT: Pin 1 VDD  
Pin 2 Output  
Pin 3 GND
- 2). All dimensions are in millimeters ;

**End View**



**Hall plate location**





**Ordering Information**

---

---

Part No.	Pb-free	Temperature Code	Package Code	Packing
SS5682ESOT	YES	-40°C to 85°C	SOT-23	7-in. reel, 3000 pieces/reel
SS5682EUA	YES	-40°C to 85°C	TO-92	Bulk, 1000 pieces/bag
SS5682KSOT	YES	-40°C to 125°C	SOT-23	7-in. reel, 3000 pieces/reel
SS5682KUA	YES	-40°C to 125°C	TO-92	Bulk, 1000 pieces/bag
SS5682LSOT	YES	-40°C to 150°C	SOT-23	7-in. reel, 3000 pieces/reel
SS5682LUA	YES	-40°C to 150°C	TO-92	Bulk, 1000 pieces/bag

---

---