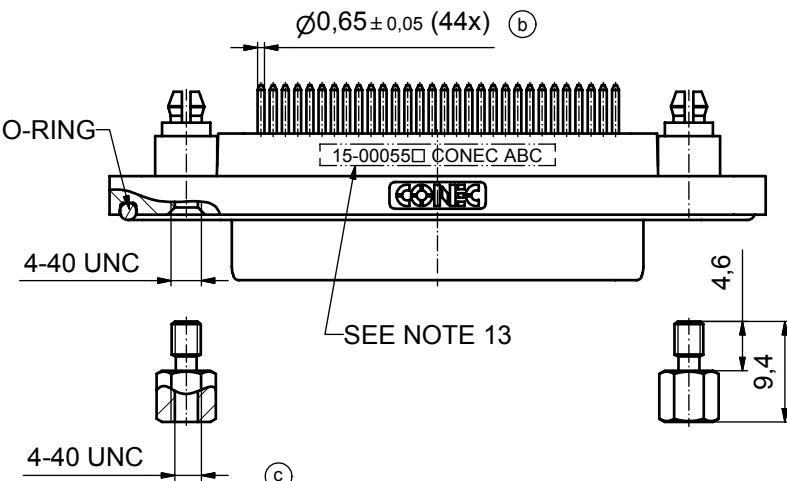
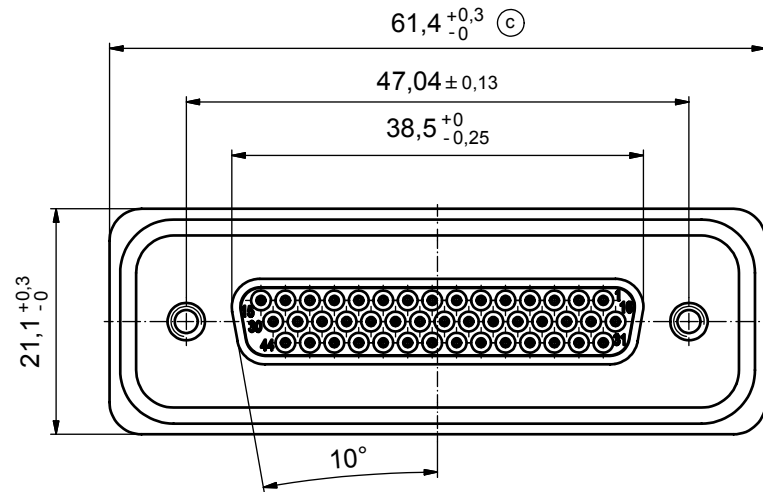
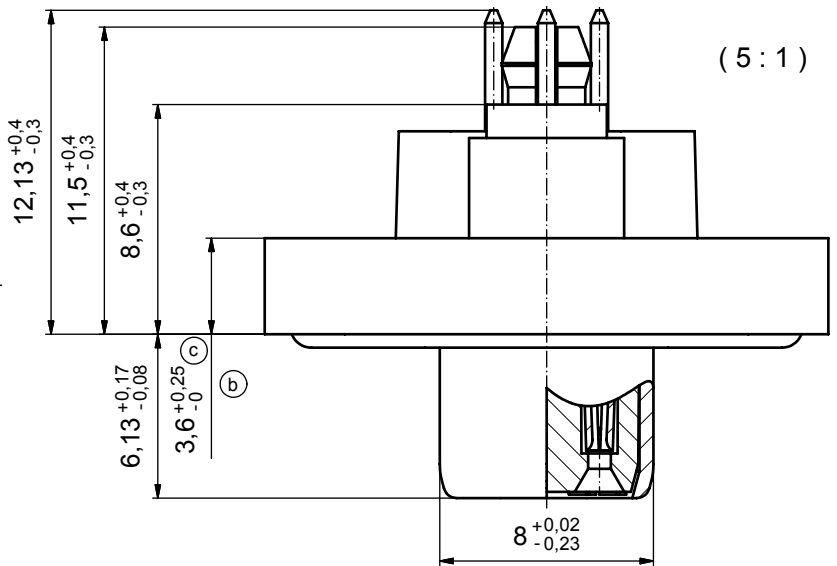


NOTES:

- FOR WAVESOLDERING (SOLDER BATH TEMPERATURE 265°C FOR 8 SEC. AND SOLDER PREHEAT 150°C FOR 180 SEC.)
- IP RATING: IP 67
- SEALED TO WITHSTAND PRESSURE UP TO 1,45 PSI FOR 30 MINUTES AFTER HIGH TEMPERATURE EXPOSURE
- METAL SHELL: ZINC DIE CAST;
min. 50µin NICKEL PLATING over COPPER
- INSULATORS: PBT GF UL 94 V-0, BLACK
- O-RING: SILICONE PER ASTM D2000 70 SHORE A
- SEALING COMPOUND: EPOXY RESIN UL 94 V-0; BLACK
- CONTACTS: COPPER ALLOY PLATING (SEE PART NO):
□ PLEASE ADD 1 for 30µin HARD GOLD over min. 50µin NICKEL
□ PLEASE ADD 3 for 8µin HARD GOLD over min. 50µin NICKEL
- REAR SPACER CLIPS: COPPER ALLOY;
min. 200µin TIN over 80µin NICKEL
PCB-HOLE: $\varnothing 3,1 \pm 0,1$ mm; PCB THICKNESS 1,6mm
- HEXLOCKING SCREWS: STAINLESS STEEL
- PCB-HOLE DRILLINGS and RECOMMENDED PANEL CUT-OUT ON SHEET 2
- RECOMMENDED TORQUE FOR MOUNTING SCREW 35Ncm (3.1 in.LB) / max.67Ncm (6 in.LB)
- CONNECTOR IS PART MARKED: 15-00055 CONEC ABC



Directive 2002/95/EC
RoHS
Compliant

AT ALL TIMES WATER RESISTANT CONNECTORS NOT IN USE SHOULD BE COVERED WITH A CONEC WATER RESISTANT CAP OR WATER TIGHT HOOD.

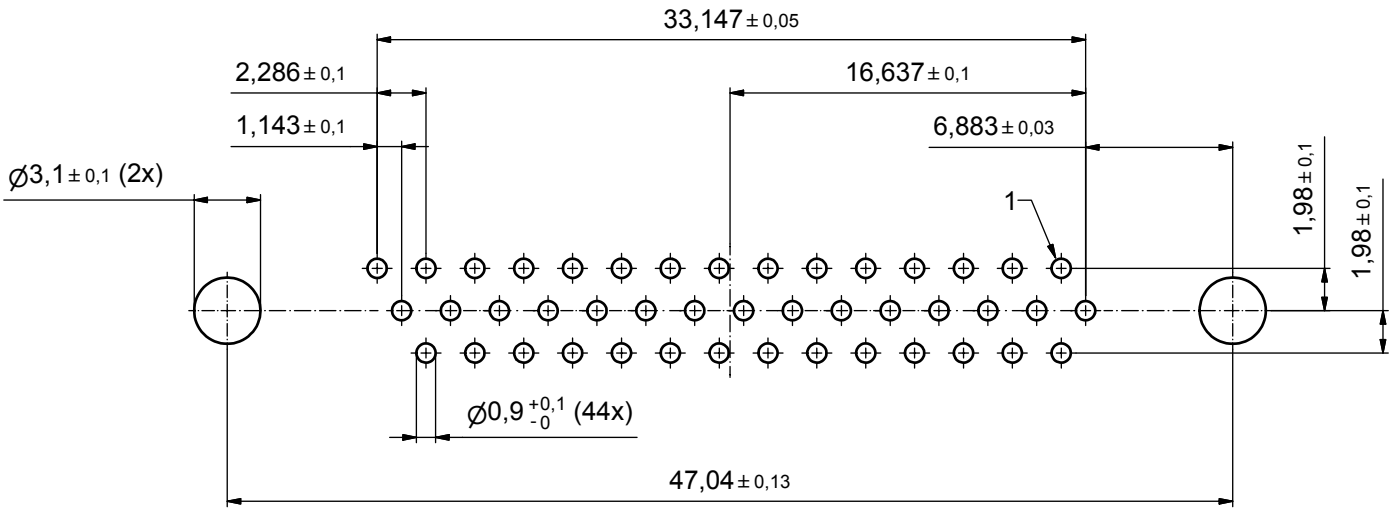
APPROVAL # FREIGABE # DEBLOCAGE # AUTORIZACION # APPROVAL	
CUSTOMER APPROVAL DATE:	
NAME:	TITLE:
COMPANY NAME:	
APPROVAL # FREIGABE # DEBLOCAGE # AUTORIZACION # APPROVAL	

tolerance				dim. in mm	
date				name	
drawn 17.10.08				Schmidt	
appd. 23.10.08				Fischer	
norm					
4 x c	Ä 3435	25.09.09	HS	d-old	
2 x b	Ä 3419	02.09.09	Lehm.		
a	Origin				
rev.	description	date	name		

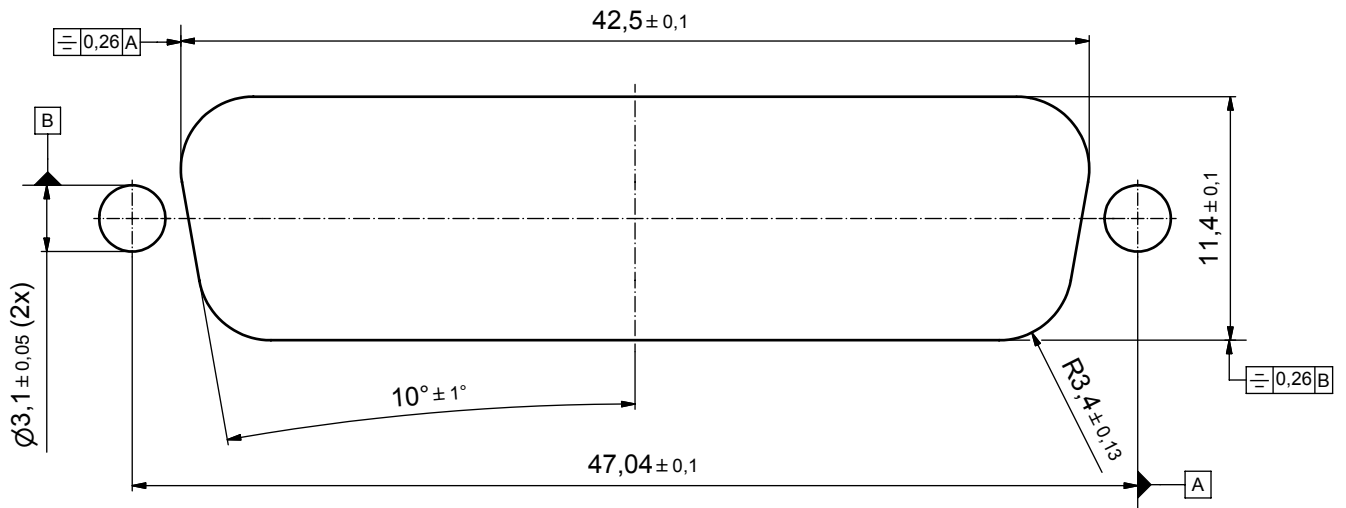
scale:	2:1 (5:1)	
material:	SEE DRAWING 15K1A297	
title:		
D-SUB FEMALE HD		
44pos. SOLDER PIN STRAIGHT		
with rear spacer clip and hexlocking screw		
dwg no:	Inventor 10	DIN-A3
	15K1A297	sh: 1
part no:	15-00055 (see note 8)	



P.C.B. HOLE DRILLINGS



RECOMMENDED PANEL CUT-OUT



APPROVAL # FREIGABE # DEBLOCAGE # AUTORIZACION # APPROVAL	
CUSTOMER APPROVAL DATE:	
NAME:	TITLE:
COMPANY NAME:	
APPROVAL # FREIGABE # DEBLOCAGE # AUTORIZACION # APPROVAL	

THIS DRAWING MAY NOT BE COPIED OR REPRODUCED IN ANY WAY, AND MAY NOT BE PASSED ON TO A THIRD PARTY WITHOUT WRITTEN PERMISSION. OWNERSHIP AND COPYRIGHT OF CONEC GmbH				tolerance		dim. in mm		scale: 5:1	
DO NOT ALTER CAD DRAWING BY HAND				date		name		material: see sheet 1	
a Origin				drawn 17.10.08		Schmidt		title: P.C.B. HOLE DRILLINGS	
rev. description date name				appd. 23.10.08		Fischer		PANEL CUT-OUT	
				norm				D-SUB Female 44pos. HD Solder pin straight	
				d-old				dwg no: Inventor 10	
								DIN-A3	
								sh: 2	
								part no: see sheet 1	

