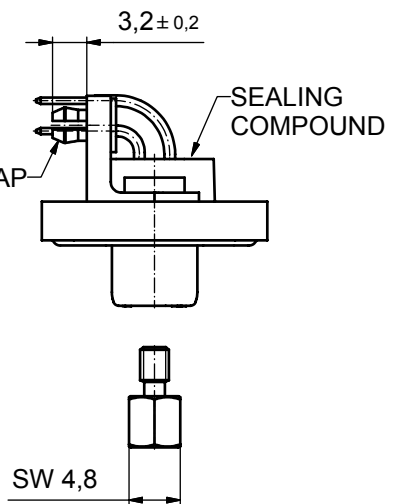
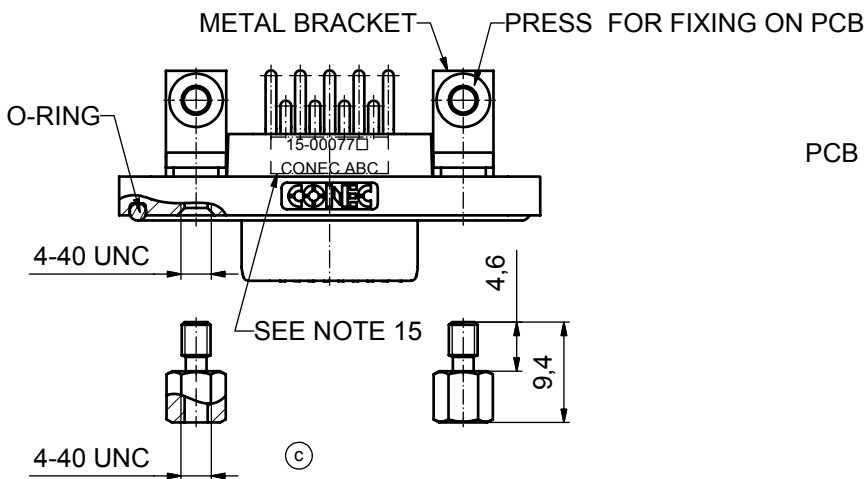
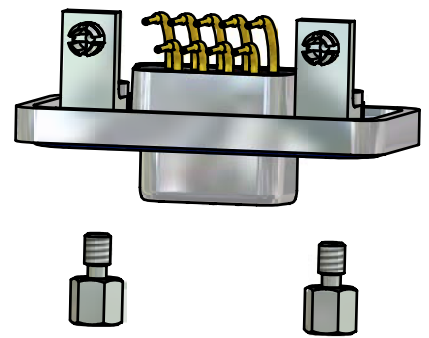
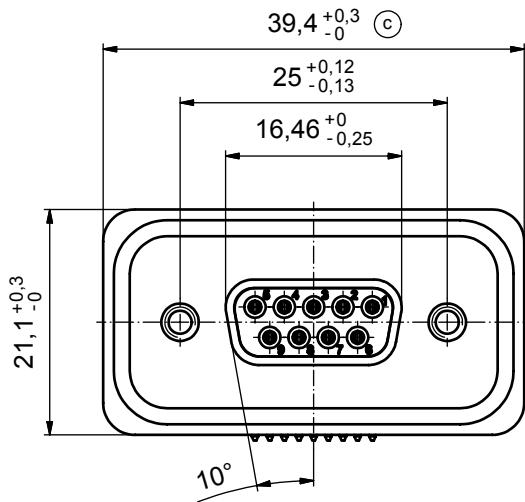
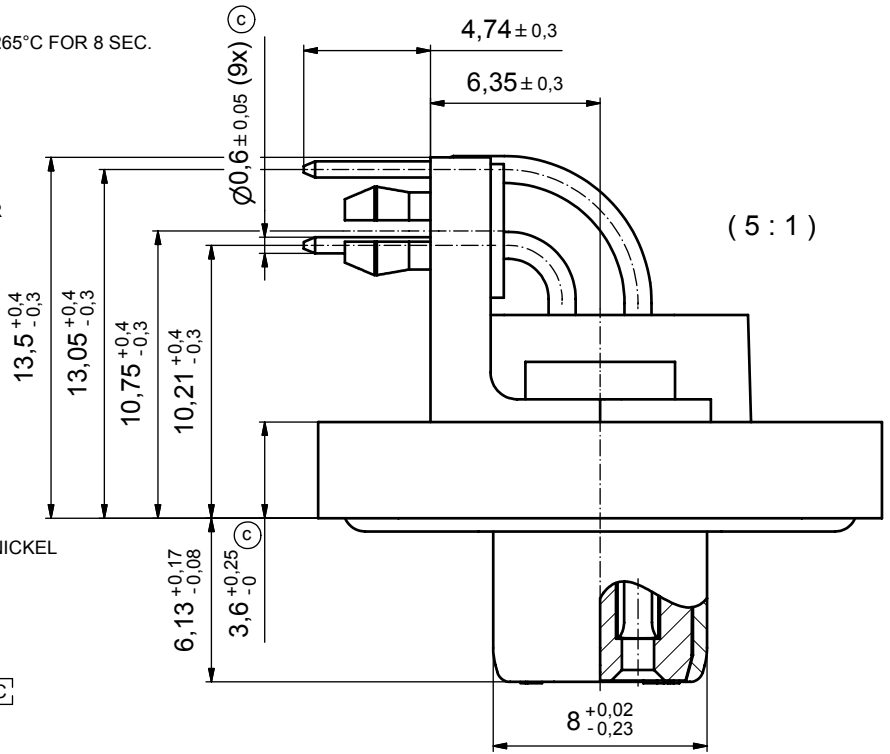


**NOTES:**

1. FOR WAVESOLDERING (SOLDER BATH TEMPERATURE 265°C FOR 8 SEC. AND SOLDER PREHEAT 150°C FOR 180 SEC.)
2. IP RATING: IP 67
3. SEALED TO WITHSTAND PRESSURE UP TO 1,45 PSI FOR 30 MINUTES AFTER HIGH TEMPERATURE EXPOSURE
4. METAL SHELL: ZINC DIE CAST; min. 50µin NICKEL PLATING over COPPER
5. INSULATORS: PBT GF UL 94 V-0, BLACK
6. O-RING: SILICONE PER ASTM D2000 70 SHORE A
7. SEALING COMPOUND: EPOXY RESIN UL 94 V-0; BLACK
8. CONTACTS: COPPER ALLOY PLATING (SEE PART NO):
  - PLEASE ADD 1 for 30µin HARD GOLD over min. 50µin NICKEL
  - PLEASE ADD 3 for 8µin HARD GOLD over min. 50µin NICKEL
9. METAL BRACKETS: ZINC DIE CAST; 300µin COPPER/40-120µin NICKEL/120-200µin TIN
10. WASHERS: COPPER ALLOY; 80µin NICKEL
11. HEXLOCKING SCREWS: STAINLESS STEEL
12. PCB-SNAPS: COPPER ALLOY; min. 200µin TIN over 80µin NICKEL PCB-HOLE:  $\varnothing 3.1 \pm 0.1$ ; PCB THICKNESS 1.6mm
13. P.C.B. HOLE DRILLINGS and RECOMMENDED PANEL CUT-OUT ON SHEET 2
14. RECOMMENDED TORQUE FOR MOUNTING SCREW 35Ncm (3.1 in.LB) / max.67Ncm (6 in.LB)
15. CONNECTOR IS PART MARKED: 15-00077 CONEC ABC



AT ALL TIMES WATER RESISTANT CONNECTORS NOT IN USE SHOULD BE COVERED WITH A CONEC WATER RESISTANT CAP OR WATER TIGHT HOOD.

Directive 2002/95 EC  
"RoHS"  
Compliant

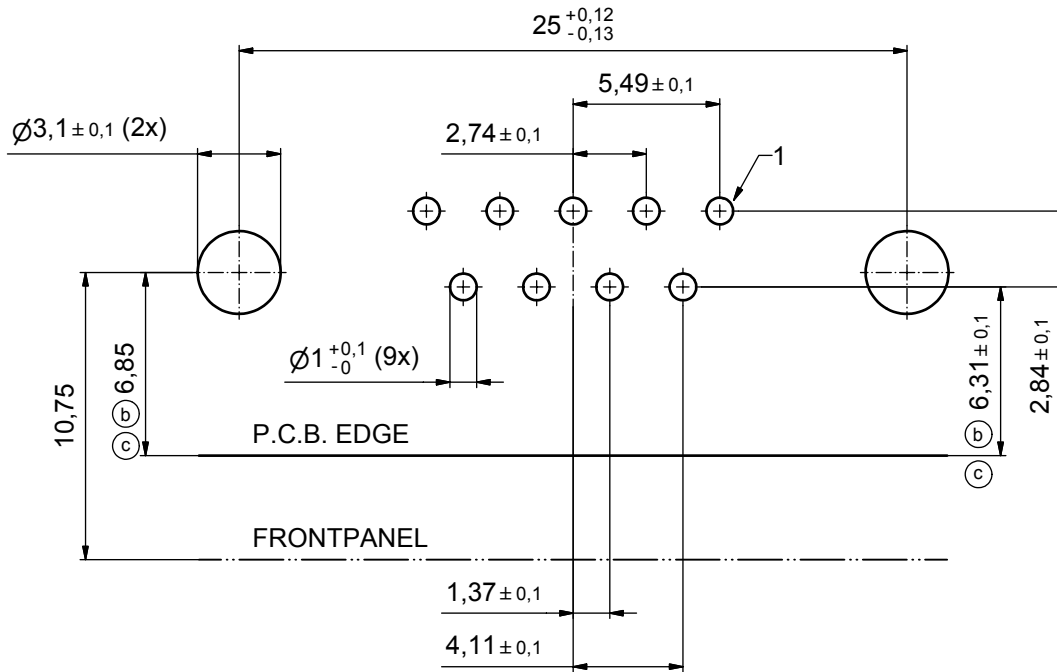
APPROVAL # FREIGABE # DEBLOCAGE # AUTORIZACION # APPROVAL	
CUSTOMER APPROVAL DATE:	
NAME:	TITLE:
COMPANY NAME:	
APPROVAL # FREIGABE # DEBLOCAGE # AUTORIZACION # APPROVAL	

tolerance				dim. in mm
date				
name				title: <b>D-SUB FEMALE 90°</b> 9pos. SOLDER PIN ANGLED with metal bracket, hexlocking screw and snap
drawn				
appd.				
norm				
d-old				dwg no: Inventor 10
4 x c A 3435 05.10.09 HS				
a Origin				DIN-A3
rev. description date name				sh: 1

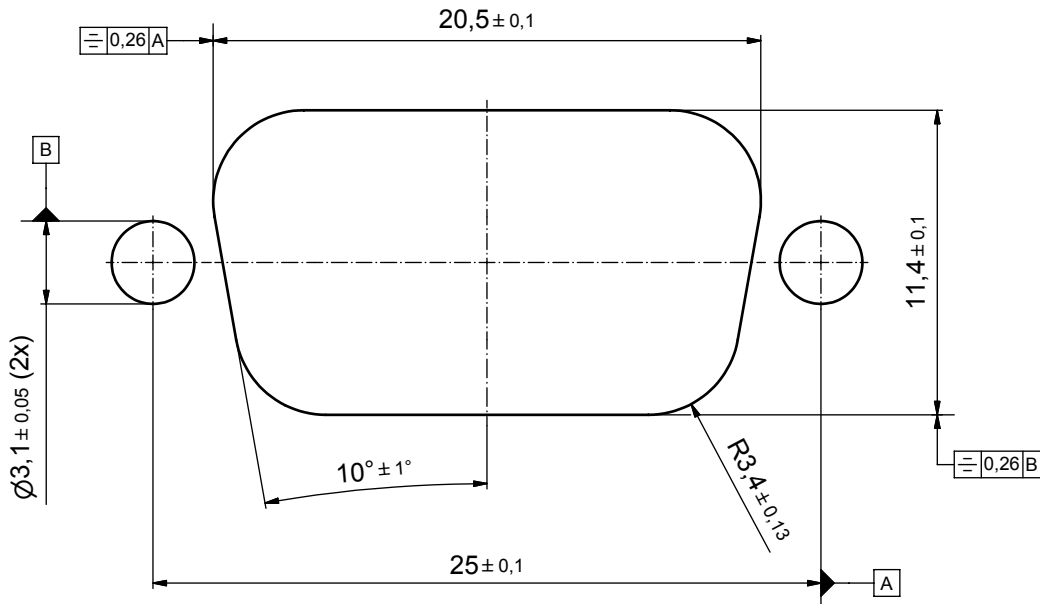


material: see notes	
scale: 2:1 (5:1)	
part no: <span style="border: 1px solid black; padding: 2px;">15-00077</span> (see note 8)	

# P.C.B. HOLE DRILLINGS



# RECOMMENDED PANEL CUT-OUT



APPROVAL # FREIGABE # DEBLOCAGE # AUTORIZACION # APPROVAL	
CUSTOMER APPROVAL DATE:	
NAME:	TITLE:
COMPANY NAME:	
APPROVAL # FREIGABE # DEBLOCAGE # AUTORIZACION # APPROVAL	

THIS DRAWING MAY NOT BE COPIED OR REPRODUCED IN ANY WAY, AND MAY NOT BE PASSED ON TO A THIRD PARTY WITHOUT WRITTEN PERMISSION. OWNERSHIP AND COPYRIGHT OF CONEC GmbH				tolerance		dim. in mm	
DO NOT ALTER CAD DRAWING BY HAND				date	name		
				drawn	17.10.08	Schmidt	
				appd.	23.10.08	Fischer	
				norm			
2 x c	Ä3435	05.10.09	HS	d-old			
2 x b	Ä 3344	15.04.09	HS				
a	Origin						
rev.	description	date	name	<b>CONEC</b>			

scale:	5:1		
material:	see sheet 1		
title:	P.C.B. HOLE DRILLINGS PANEL CUT-OUT D-SUB Female 9pos. Solder pin angled 90°		
dwg no:	Inventor 10	DIN-A3	
	15K1A285	sh: 2	
part no:	see sheet 1		