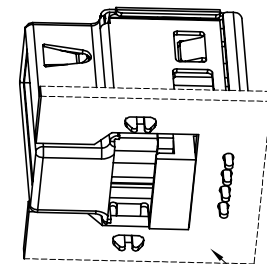
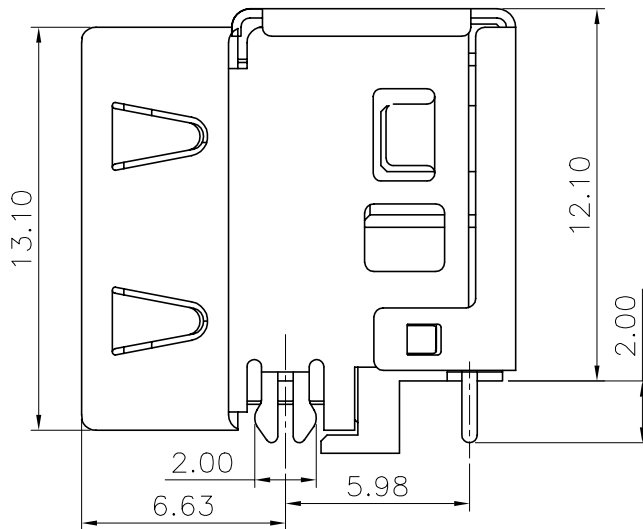
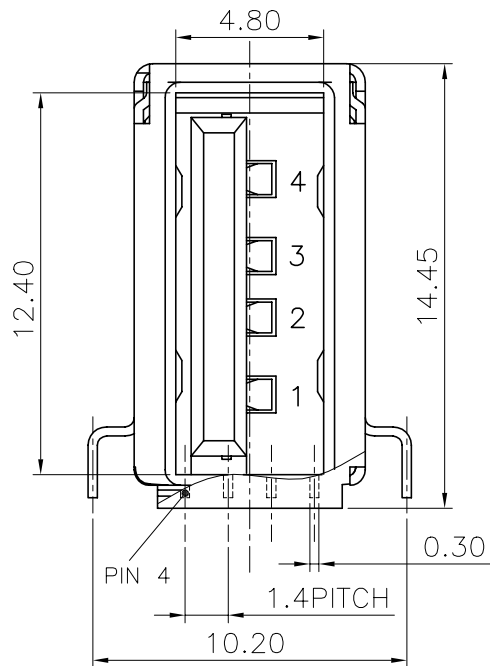
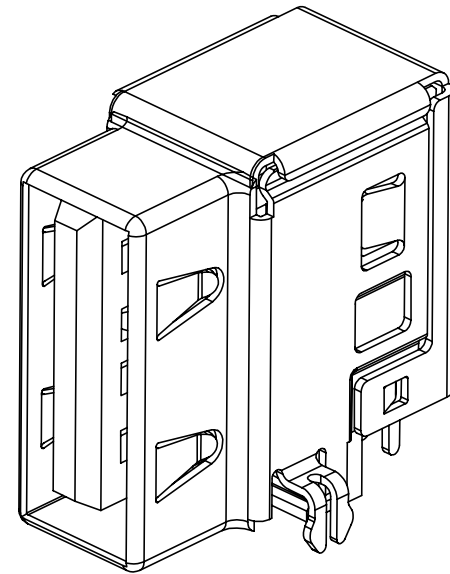
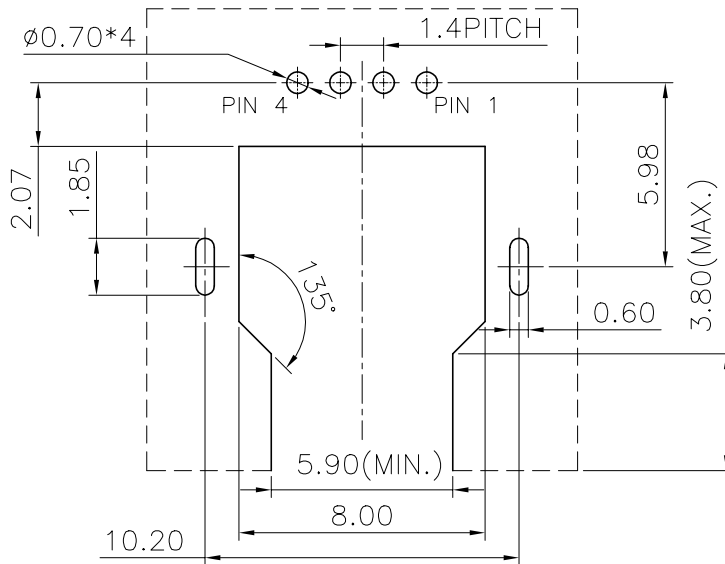
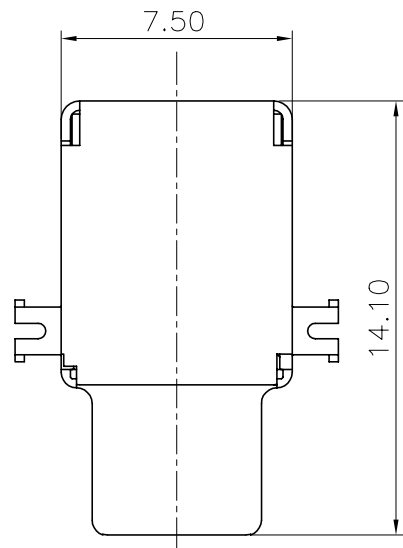


Recommended P.C.B Layout (Component Side)



SCALE 2:1 PCB

NO.	DESCRIPTION	MATERIAL	COLOR	REMARK
2				
1				

SUYIN
CONNECTOR

CUSTOMER COPY	TITLE: 4P USB
PART NO.	020001MR004XX00ZU
DRAWING NO.	020001MR004XX00ZU
SCALE	4:1
UNIT	mm
A4	

ECN (DCN) NO.	REV	DATE	DESCRIPTION	CHANGE	APPRO.	GENERAL TOLERANCE UNLESS OTHERWISE NOTED	APPRO.	DRAW	JACKIE	01/12/12
						Angle $\pm 2^\circ$				
						30 ~ ± 0.50		DESIGN	JACKIE	01/12/12
						10 ~ 30 ± 0.30		CHECK		
						~ 10 ± 0.15		APPRO.		