

SY56023R



Low Voltage 1.2V/1.8V/2.5V CML 2x2 Crosspoint Switch 6.4Gbps with Equalization

General Description

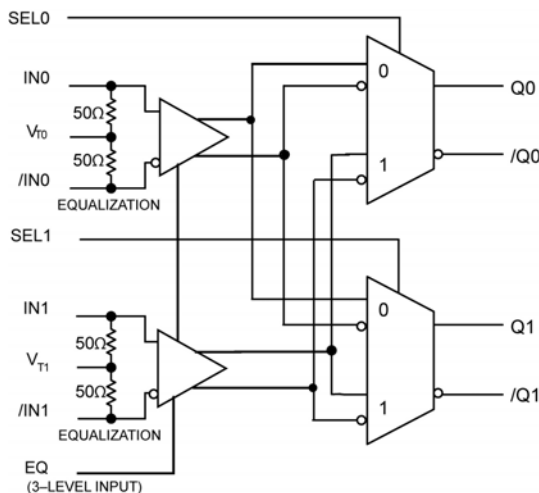
The SY56023R is a fully-differential, low-voltage 1.2V/1.8V/2.5V CML 2x2 crosspoint switch with input equalization. The SY56023R can process clock signals as fast as 5GHz or data patterns up to 6.4Gbps.

The differential input includes Micrel's unique, 3-pin input termination architecture that interfaces to CML differential signals, without any level-shifting or termination resistor networks in the signal path. The differential input can also accept AC-coupled LVPECL and LVDS signals. Input voltages as small as 200mV (400mV_{PP}) are applied before the 9", 18" or 27" FR4 transmission line. For AC-coupled input interface applications, an internal voltage reference is provided to bias the V_T pin. The outputs are CML, with extremely fast rise/fall times guaranteed to be less than 80ps.

The SY56023R operates from a 2.5V ±5% core supply and a 1.2V, 1.8V or 2.5V ±5% output supply and is guaranteed over the full industrial temperature range (-40°C to +85°C). The SY56023R is part of Micrel's high-speed, Precision Edge® product line.

Datasheets and support documentation can be found on Micrel's web site at: www.micrel.com.

Functional Block Diagram



Precision Edge®

Features

- 1.2V/1.8V/2.5V CML 2x2 Crosspoint Switch
- Equalizes 9, 18, 27 inches of FR4
- Guaranteed AC performance over temperature and voltage:
 - DC-to > 6.4Gbps Data throughput
 - DC-to > 5GHz Clock throughput
 - <280 ps propagation delay (IN-to-Q)
 - <15 ps output skew
 - <80 ps rise/fall times
- Ultra-low jitter design
 - <1 ps_{RMS} cycle-to-cycle jitter
- High-speed CML outputs
- 2.5V ±5% V_{CC}, 1.2/1.8V/2.5V ±5% V_{CCO} power supply operation
- Industrial temperature range: -40°C to +85°C
- Available in 16-pin (3mm x 3mm) QFN package

Applications

- Data Distribution:
- SONET clock and data distribution
- Fiber Channel clock and data distribution
- Gigabit Ethernet clock and data distribution

Markets

- Storage
- ATE
- Test and measurement
- Enterprise networking equipment
- High-end servers
- Metro area network equipment

Precision Edge is a registered trademark of Micrel, Inc.

Micrel Inc. • 2180 Fortune Drive • San Jose, CA 95131 • USA • tel +1 (408) 944-0800 • fax +1 (408) 474-1000 • <http://www.micrel.com>

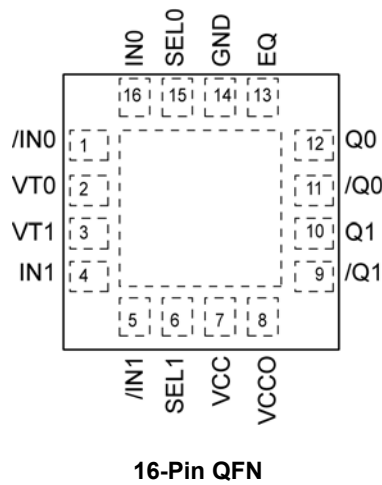
Ordering Information⁽¹⁾

Part Number	Package Type	Operating Range	Package Marking	Lead Finish
SY56023RMG	QFN-16	Industrial	R023 with Pb-Free Bar-Line Indicator	NiPdAu Pb-Free
SY56023RMGTR ⁽²⁾	QFN-16	Industrial	R023 with Pb-Free Bar-Line Indicator	NiPdAu Pb-Free

Notes:

1. Contact factory for die availability. Dice are guaranteed at T_A = 25°C, DC Electricals only.
2. Tape and Reel.

Pin Configuration



Truth Table

SEL0	SEL1	Q0	Q1
L	L	IN0	IN0
L	H	IN0	IN1
H	L	IN1	IN0
H	H	IN1	IN1

EQ	EQUALIZATION
LOW	27 "
FLOAT	18"
HIGH	9"

Pin Description

Pin Number	Pin Name	Pin Function
16,1 4,5	IN0, /IN0 IN1, /IN1	Differential Inputs: Signals as small as 200mV V_{PK} (400mV $_{PP}$) applied to the input of 9, 18 or 27 inches 6 mil FR4 stripline transmission line are then terminated with the differential input. Each input pin internally terminates with 50 Ω to the VT pin.
2 3	VT0 VT1	Input Termination Center-Tap: Each side of the differential input pair terminates to a VT pin. This pin provides a center-tap to a termination network for maximum interface flexibility. An internal high impedance resistor divider biases VT to allow input AC coupling. For AC-coupling, bypass VT with 0.1 μ F low_ESR capacitor to VCC. See "Interface Applications" subsection and Figure 2a.
13	EQ	Three level input for equalization control. High, float, low. EQ pin applies the same EQ setting to both inputs.
15 6	SEL0 SEL1	These single-ended TTL/CMOS-compatible inputs, selects inputs IN0 or IN1. Note that these inputs are internally connected to a 25k Ω pull-up resistor and will default to a logic HIGH state if left open.
7	VCC	Positive Power Supply: Bypass with 0.1 μ F//0.01 μ F low ESR capacitors as close to the V $_{CC}$ pins as possible. Supplies input and core circuitry.
8	VCCO	Output Supply: Bypass with 0.1 μ F//0.01 μ F low ESR capacitors as close to the V $_{CCO}$ pins as possible. Supplies the output buffers
14	GND, Exposed Pad	Ground: Exposed pad must be connected to a ground plane that is the same potential as the ground pins.
12,11 10,9	Q0, /Q0 Q1, /Q1	CML Differential Output Pairs: Differential buffered copy of the input signal. The output swing is typically 390mV. See "Interface Applications" subsection for termination information.

Absolute Maximum Ratings⁽¹⁾

Supply Voltage (V_{CC})	-0.5V to +3.0V
Supply Voltage (V_{CCO})	-0.5V to +3.0V
$V_{CC} - V_{CCO}$	<1.8V
$V_{CCO} - V_{CC}$	<0.5V
Input Voltage (V_{IN})	-0.5V to V_{CC}
CML Output Voltage (V_{OUT})	0.6V to 3.0V
Current (V_T)		
Source or sink on VT pin	± 100 mA
Input Current		
Source or sink Current on (IN, /IN)	± 50 mA
Maximum operating Junction Temperature	125°C
Lead Temperature (soldering, 20sec.)	260°C
Storage Temperature (T_s)	-65°C to +150°C

Operating Ratings⁽²⁾

Supply Voltage (V_{CC})	2.375V to 2.625V
(V_{CCO})	1.14V to 2.625V
Ambient Temperature (T_A)	-40°C to +85°C
Package Thermal Resistance ⁽³⁾		
QFN		
Still-air (θ_{JA})	75°C/W
Junction-to-board (ψ_{JB})	33°C/W

DC Electrical Characteristics⁽⁴⁾

$T_A = -40^\circ\text{C}$ to $+85^\circ\text{C}$, unless otherwise stated.

Symbol	Parameter	Condition	Min	Typ	Max	Units
V_{CC}	Power Supply Voltage Range	V_{CC}	2.375	2.5	2.625	V
		V_{CCO}	1.14	1.2	1.26	V
		V_{CCO}	1.7	1.8	1.9	V
		V_{CCO}	2.375	2.5	2.625	V
I_{CC}	Power Supply Current	Max. V_{CC}		80	110	mA
I_{CCO}	Power Supply Current	No Load. V_{CCO}		32	42	mA
R_{IN}	Input Resistance (IN-to- V_T , /IN-to- V_T)		45	50	55	Ω
R_{DIFF_IN}	Differential Input Resistance (IN-to-/IN)		90	100	110	Ω
V_{IH}	Input HIGH Voltage (IN, /IN)	IN, /IN	1.42		V_{CC}	V
V_{IL}	Input LOW Voltage (IN, /IN)	IN, /IN 1.22V = 1.7-0.475	1.22		$V_{IH}-0.2$	V
V_{IN}	Input Voltage Swing (IN, /IN)	see Figure 3a, Note 5, applied to input of transmission line.	0.2		1.0	V
V_{DIFF_IN}	Differential Input Voltage Swing (IN - /IN)	see Figure 3b, Note 5, applied to input of transmission line.	0.4		2.0	V
V_{T_IN}	Voltage from Input to V_T				1.28	V

Notes:

1. Permanent device damage may occur if absolute maximum ratings are exceeded. This is a stress rating only and functional operation is not implied at conditions other than those detailed in the operational sections of this data sheet. Exposure to absolute maximum ratings conditions for extended periods may affect device reliability.
2. The data sheet limits are not guaranteed if the device is operated beyond the operating ratings.
3. Package thermal resistance assumes exposed pad is soldered (or equivalent) to the device's most negative potential on the PCB. ψ_{JB} and θ_{JA} values are determined for a 4-layer board in still-air number, unless otherwise stated.
4. The circuit is designed to meet the DC specifications shown in the above table after thermal equilibrium has been established.
5. $V_{IN(max)}$ is specified when V_T is floating.

CML Outputs DC Electrical Characteristics⁽⁶⁾

$V_{CC0} = 1.14V$ to $1.26V$ $R_L = 50\Omega$ to V_{CC0} ,

$V_{CC0} = 1.7V$ to $1.9V$, $2.375V$ to $2.625V$, $R_L = 50\Omega$ to V_{CC0} or 100Ω across the outputs,

$V_{CC} = 2.375V$ to $2.625V$; $T_A = -40^\circ C$ to $+85^\circ C$, unless otherwise stated.

Symbol	Parameter	Condition	Min	Typ	Max	Units
V_{OH}	Output HIGH Voltage	$R_L = 50\Omega$ to V_{CC0}	$V_{CC}-0.020$	$V_{CC}-0.010$	V_{CC}	V
V_{OUT}	Output Voltage Swing	See Figure 3a	300	390	475	mV
V_{DIFF_OUT}	Differential Output Voltage Swing	See Figure 3b	600	780	950	mV
R_{OUT}	Output Source Impedance		45	50	55	Ω

LVTTTL/CMOS DC Input Electrical Characteristics⁽⁶⁾

$V_{CC} = 2.375V$ to $2.625V$; $T_A = -40^\circ C$ to $+85^\circ C$, unless otherwise stated.

Symbol	Parameter	Condition	Min	Typ	Max	Units
V_{IH}	Input HIGH Voltage		2.0		V_{CC}	V
V_{IL}	Input LOW Voltage				0.8	V
I_{IH}	Input HIGH Current		-125		30	μA
I_{IL}	Input LOW Current		-300			μA

Three Level EQ Input DC Electrical Characteristics⁽⁶⁾

$V_{CC} = 2.375V$ to $2.625V$; $T_A = -40^\circ C$ to $+85^\circ C$, unless otherwise stated.

Symbol	Parameter	Condition	Min	Typ	Max	Units
V_{IH}	Input HIGH Voltage		$V_{CC}-0.3$		V_{CC}	V
V_{IL}	Input LOW Voltage		0		$V_{EE}+0.3$	V
I_{IH}	Input HIGH Current	$V_{IH} = V_{CC}$			400	μA
I_{IL}	Input LOW Current	$V_{IL} = GND$	-480			μA

Note:

6. The circuit is designed to meet the DC specifications shown in the above table after thermal equilibrium has been established.

AC Electrical Characteristics

$V_{CCO} = 1.14V$ to $1.26V$ $R_L = 50\Omega$ to V_{CCO} ,

$V_{CCO} = 1.7V$ to $1.9V$, $2.375V$ to $2.625V$, $R_L = 50\Omega$ to V_{CCO} or 100Ω across the outputs,

$V_{CC} = 2.375V$ to $2.625V$; $T_A = -40^\circ C$ to $+85^\circ C$, unless otherwise stated.

Symbol	Parameter	Condition	Min	Typ	Max	Units
f_{MAX}	Maximum Frequency	NRZ Data	6.4			Gbps
		$V_{OUT} = 100mV$ Clock	5			GHz
t_{PD}	Propagation Delay IN-to-Q SEL-to-Q	Note 7, Figure 1	100	180	280	ps
		Figure 1	90	210	350	ps
t_{Skew}	Input-to-Input Skew	Note 8		5	20	ps
	Output-to-Output Skew	Note 9		3	15	ps
	Part-to-Part Skew	Note 10			100	ps
t_{Jitter}	Random Jitter	Note 11			1	ps _{RMS}
	Crosstalk Induced Jitter (Adjacent Channel)	Note 12			0.7	ps _{PP}
t_R t_F	Output Rise/Fall Time (20% to 80%)	At full output swing.	20	50	80	ps

Notes:

7. Propagation delay is measured with no attenuating transmission line connected to the input.
8. Input-to-Input skew is the difference in time between both inputs and the output for the same temperature, voltage and transition.
9. Output-to-Output skew is the difference in time between both outputs under identical input transition, temperature and power supply
10. Part-to-part skew is defined for two parts with identical power supply voltages at the same temperature and no skew at the edges at the respective inputs.
11. Random jitter is measured with a K28.7 pattern, measured at $\leq f_{MAX}$.
12. Crosstalk induced jitter is defined as the added jitter that results from signals applied to the adjacent channel. It is measured at the output while applying a similar, differential clock frequencies that are asynchronous with respect to each other at the adjacent input.

Interface Applications

For Input Interface Applications see Figures 4a-e and for CML Output Termination see Figures 5a-d.

CML Output Termination with VCCO 1.2V

For VCCO of 1.2V, Figure 5a, terminate the output with 50 Ohms to 1.2V, not 100 ohms differentially across the outputs. If AC coupling is used, Figure 5d, terminate into 50 ohms to 1.2V before the coupling capacitor and then connect to a high value resistor to a reference voltage. Any unused output pair needs to be terminated, do not leave floating.

CML Output Termination with VCCO 1.8V

For VCCO of 1.8V, Figure 5a and Figure 5b, terminate with either 50 ohms to 1.8V or 100 ohms differentially across the outputs. AC- or DC-coupling is fine.

Input Termination

1.8V CML driver: Terminate input with VT tied to 1.8V. Don't terminate 100 ohms differentially.

2.5V CML driver: Terminate input with either VT tied to 2.5V or 100 ohms differentially.

The input cannot be DC coupled from a 1.2V CML driver.

Timing Diagrams

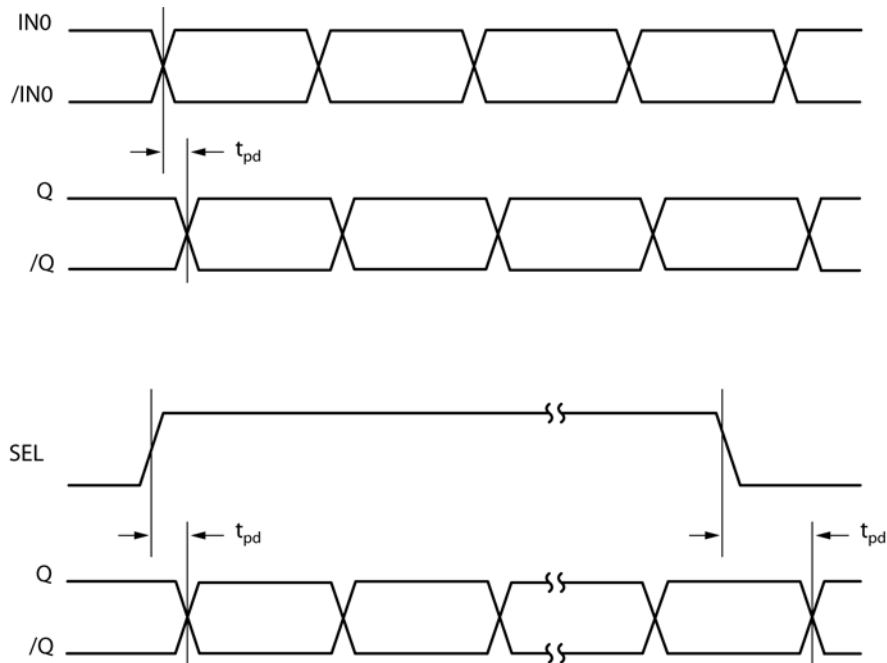
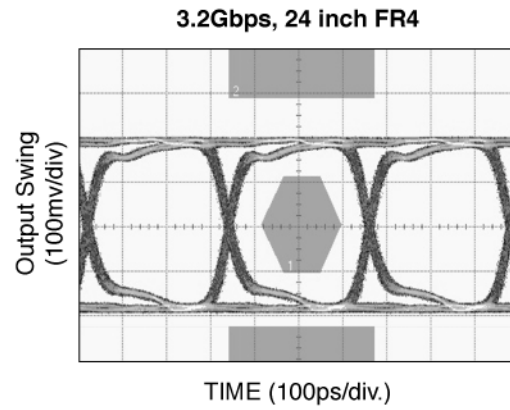
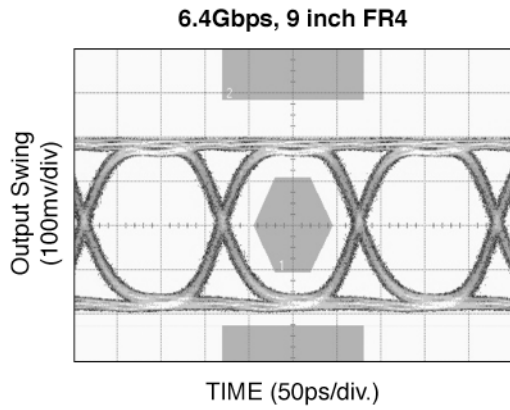
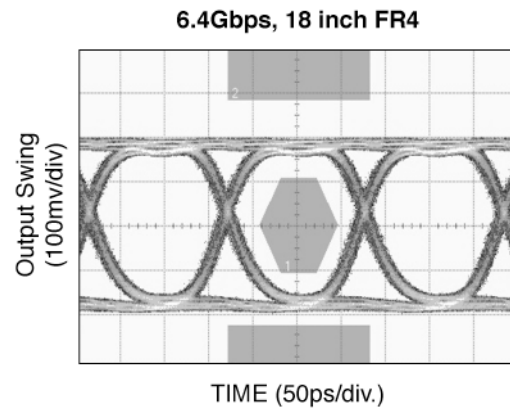
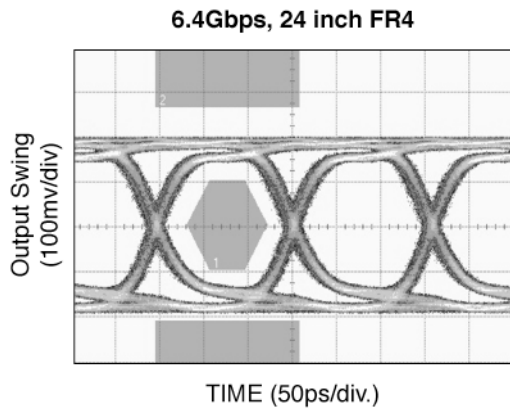


Figure 1. Propagation Delay

Typical Characteristics

$V_{CC} = 2.5$, $V_{CCO} = 1.2V$, $GND = 0V$, $V_{IN} = 400mV$, $R_L = 50\Omega$ to $1.2V$, Data Pattern: $2^{23}-1$, $T_A = 25^\circ C$, unless otherwise stated.



Input and Output Stage

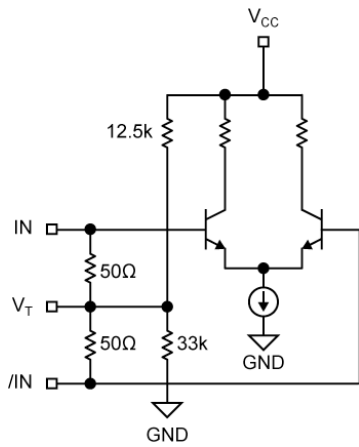


Figure 2a. Simplified Differential Input Buffer

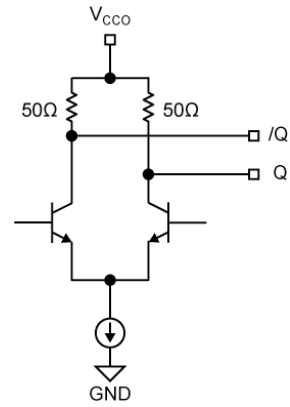


Figure 2b. Simplified CML Output Buffer

Single-Ended and Differential Swings

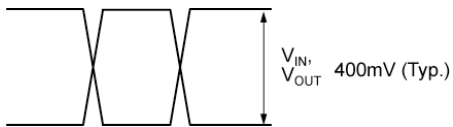


Figure 3a. Single-Ended Swing

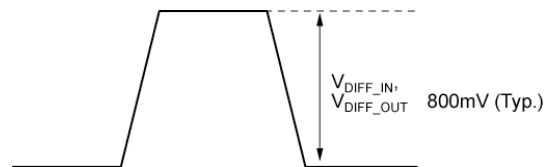


Figure 3b. Differential Swing

Input Interface Applications

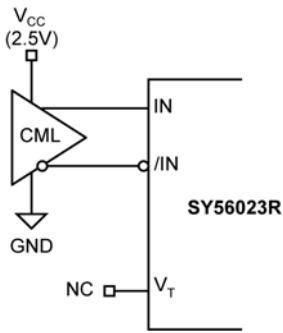


Figure 4a. CML Interface
100Ω Differential
(DC-Coupled, 2.5V)

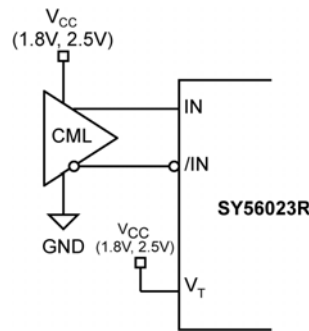


Figure 4b. CML Interface
50Ω to V_{CC}
(DC-Coupled, 1.8V, 2.5V)

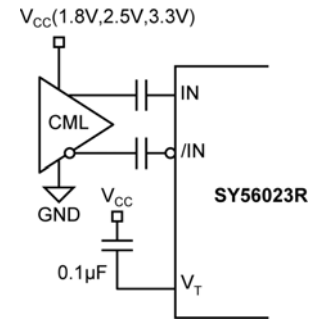


Figure 4c. CML Interface
(AC-Coupled)

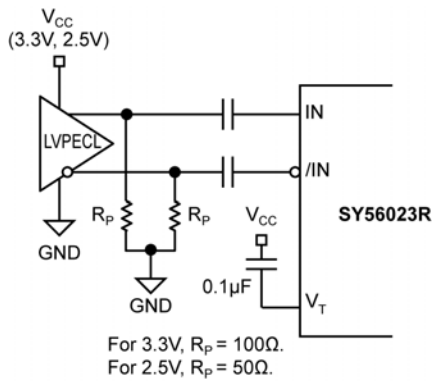


Figure 4d. LVPECL Interface
(AC-Coupled)

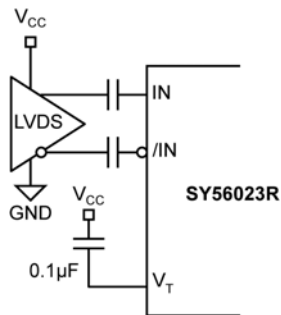


Figure 4e. LVDS Interface
(AC-Coupled)

CML Output Termination

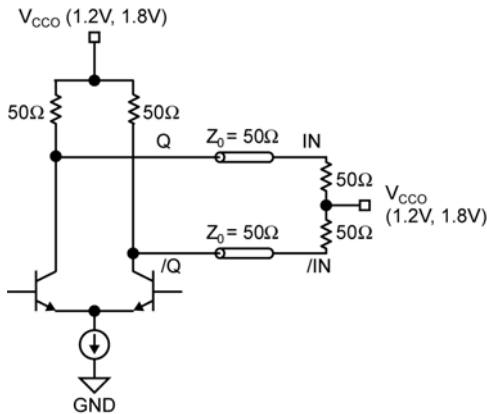


Figure 5a. 1.2V or 1.8V CML DC-Coupled Termination

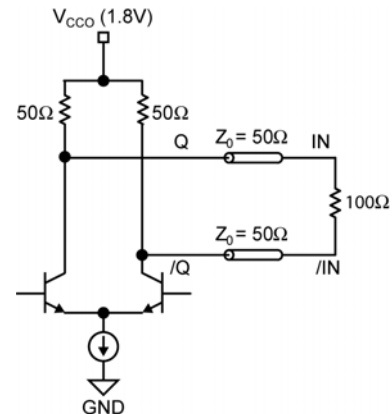


Figure 5b. 1.8V CML DC-Coupled Termination

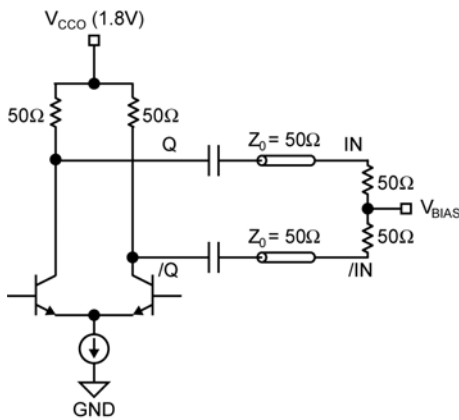


Figure 5c. CML AC-Coupled Termination
V_{CCO} 1.8V Only

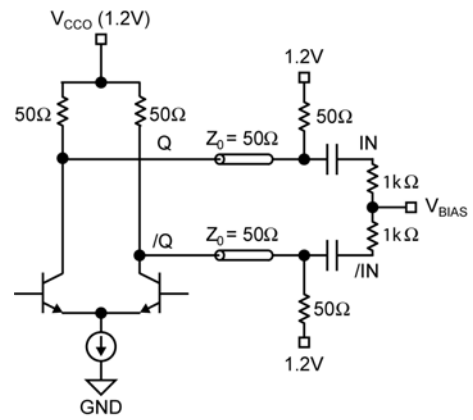
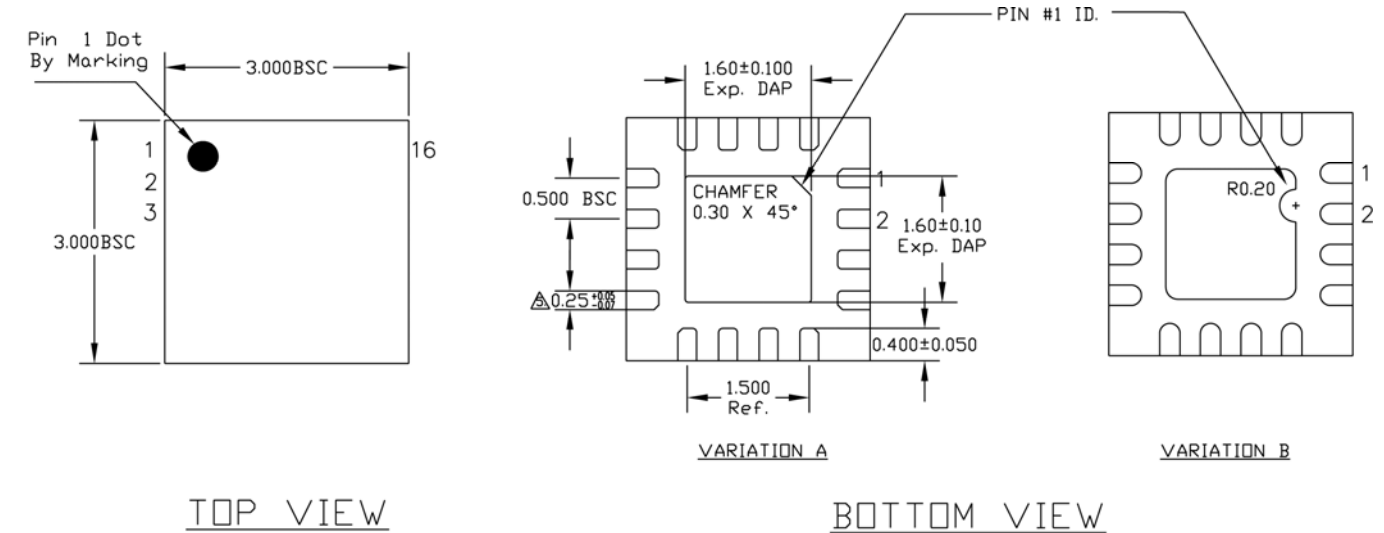


Figure 5d. CML AC-Coupled Termination
V_{CCO} 1.2V Only

Related Product and Support Documents

Part Number	Function	Datasheet Link
HBW Solutions	New Products and Termination Application Notes	http://www.micrel.com/page.do?page=/product-info/as/HBW/solutions.shtml

Package Information



- NOTE:
1. ALL DIMENSIONS ARE IN MILLIMETERS.
 2. MAX. PACKAGE WARPAGE IS 0.05 mm.
 3. MAXIMUM ALLOWABLE BURRS IS 0.076 mm IN ALL DIRECTIONS.
 4. PIN #1 ID ON TOP WILL BE LASER/INK MARKED.
- ▲ DIMENSION APPLIES TO METALIZED TERMINAL AND IS MEASURED BETWEEN 0.20 AND 0.25 mm FROM TERMINAL TIP.
- ▲ APPLIED ONLY FOR TERMINALS.
- ▲ APPLIED FOR EXPOSED PAD AND TERMINALS.

16-Pin QFN

MICREL, INC. 2180 FORTUNE DRIVE SAN JOSE, CA 95131 USA
 TEL +1 (408) 944-0800 FAX +1 (408) 474-1000 WEB <http://www.micrel.com>

Micrel makes no representations or warranties with respect to the accuracy or completeness of the information furnished in this data sheet. This information is not intended as a warranty and Micrel does not assume responsibility for its use. Micrel reserves the right to change circuitry, specifications and descriptions at any time without notice. No license, whether express, implied, arising by estoppel or otherwise, to any intellectual property rights is granted by this document. Except as provided in Micrel's terms and conditions of sale for such products, Micrel assumes no liability whatsoever, and Micrel disclaims any express or implied warranty relating to the sale and/or use of Micrel products including liability or warranties relating to fitness for a particular purpose, merchantability, or infringement of any patent, copyright or other intellectual property right.

Micrel Products are not designed or authorized for use as components in life support appliances, devices or systems where malfunction of a product can reasonably be expected to result in personal injury. Life support devices or systems are devices or systems that (a) are intended for surgical implant into the body or (b) support or sustain life, and whose failure to perform can be reasonably expected to result in a significant injury to the user. A Purchaser's use or sale of Micrel Products for use in life support appliances, devices or systems is a Purchaser's own risk and Purchaser agrees to fully indemnify Micrel for any damages resulting from such use or sale.

© 2012 Micrel, Incorporated.