

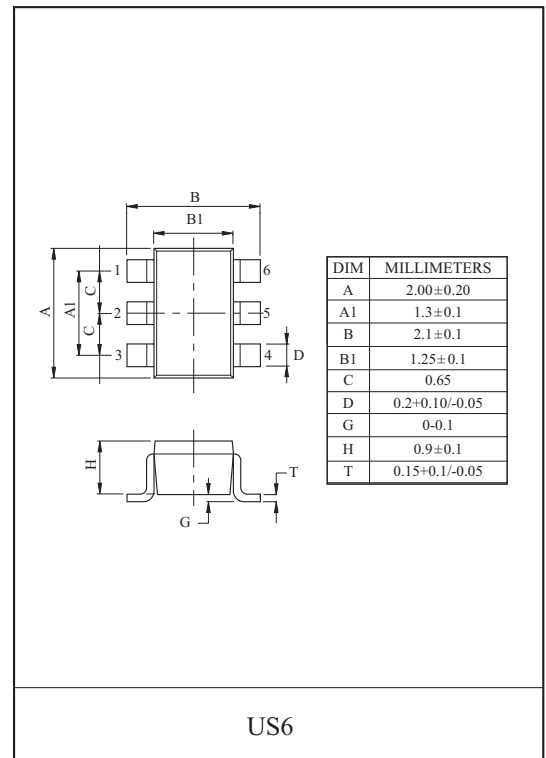
Protection in Portable Electronics Applications.

FEATURES

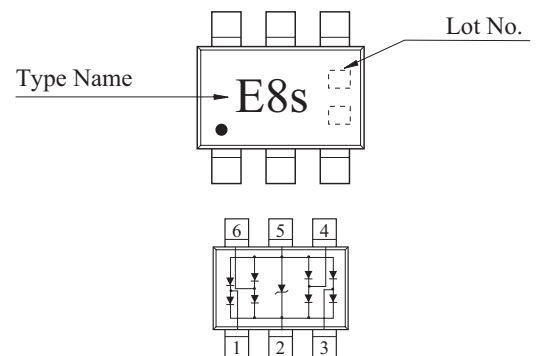
- Transient protection for data lines to IEC 61000-4-2(ESD) $\pm 15KV$ (air/contact)
- Small package for use in portable electronics.
- Suitable replacement for Multi-Layer Varistors in ESD protection applications.
- Protects one I/O or power line.
- Low clamping voltage.
- Low leakage current.

APPLICATIONS

- USB 2.0, 10/100/1000 Ethernet, FireWire, DVI, HDMI, S-ATA
- Mobile Communication
- Consumer Products (STB, MP3, DVD, DSC...)
- LCD-Display, Camera
- Notebooks and desktop computers, peripherals



Marking



MAXIMUM RATING (Ta=25)

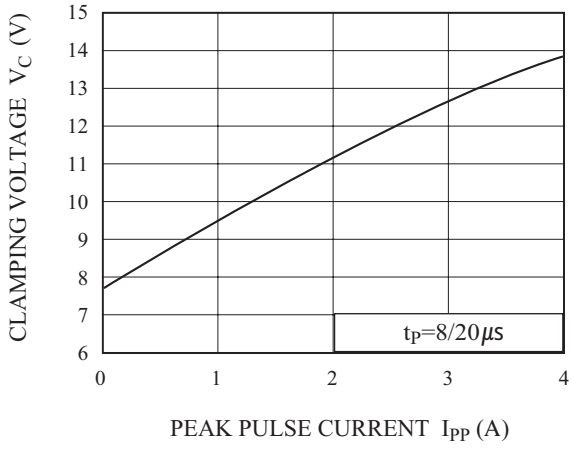
CHARACTERISTIC	SYMBOL	RATING	UNIT
Peak Pulse Current (tp=8/20μs)	I _{PP}	3	A
Operating Temperature Range	T _{OP}	-55~125	°C
Storage Temperature	T _{stg}	-55 ~150	°C

ELECTRICAL CHARACTERISTICS (Ta=25 °C)

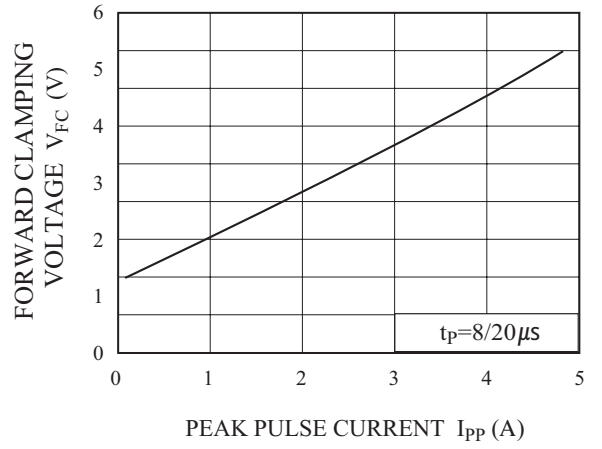
CHARACTERISTIC	SYMBOL	TEST CONDITION	MIN.	TYP.	MAX.	UNIT
Reverse Stand-Off Voltage	V _{RWM}	I/O pin to pin5	-	-	5.3	V
		pin 2 to pin5	-	-	6	
Reverse Breakdown Voltage	V _{BR}	I _t =1mA, any pin to pin5	6.3	-	-	V
Reverse Leakage Current	I _R	V _{RWM} =5.3V, any pin to pin5	-	-	100	nA
Clamping Voltage	V _C	I _{PP} =1A, t _p =8/20μs, any pin to pin5	-	10	13	V
		I _{PP} =3A, t _p =8/20μs, any pin to pin5	-	12	15	
Junction Capacitance	C _J	V _R =0V, f=1MHz, any I/O pin to pin5	-	0.4	0.6	pF

PG05TXUS6

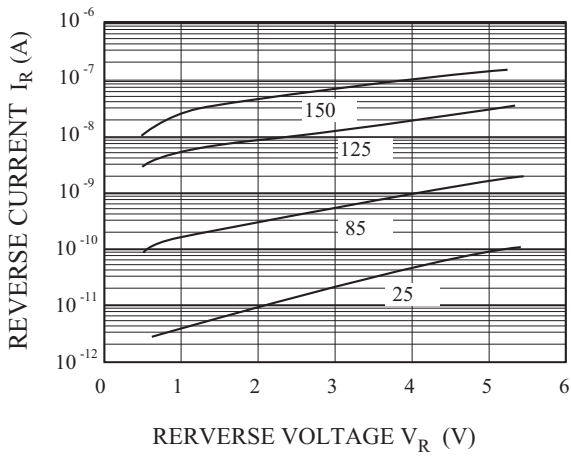
CLAMPING VOLTAGE



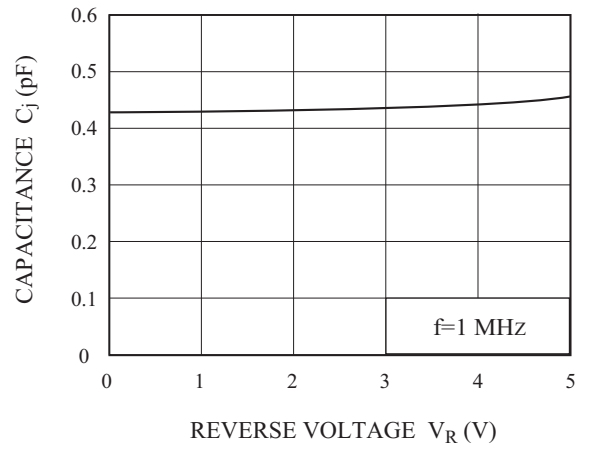
FORWARD CLAMPING VOLTAGE



REVERSE CURRENT



CAPACITANCE



POWER DERATING CURVE

