

PRODUCT NUMBER
98414-XXX-XX-XXXLF

PLATING
S = 0.38µm GOLD/GXT ON CONTACT AREA
3.81µm TIN LEAD ON TAIL
G = 0.76µm GOLD/GXT ON CONTACT AREA
3.81µm TIN LEAD ON TAIL
F = GOLD FASH ON CONTACT AREA
3.81µm TIN LEAD ON TAIL

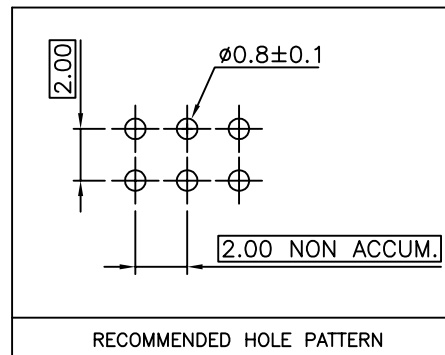
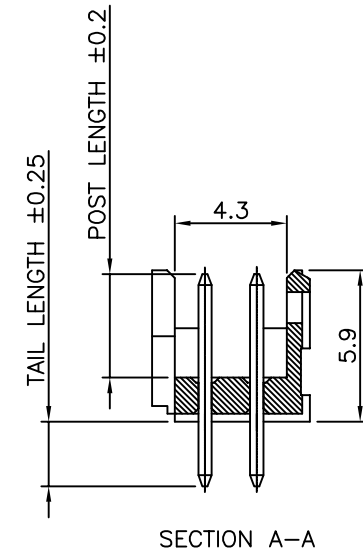
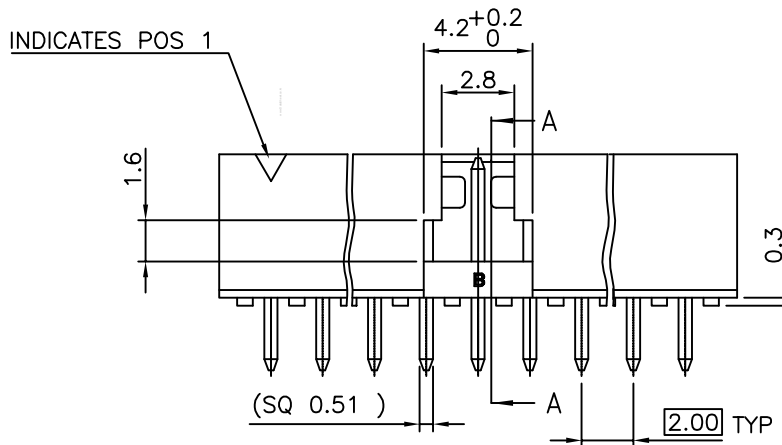
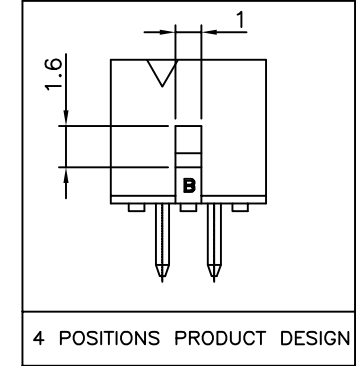
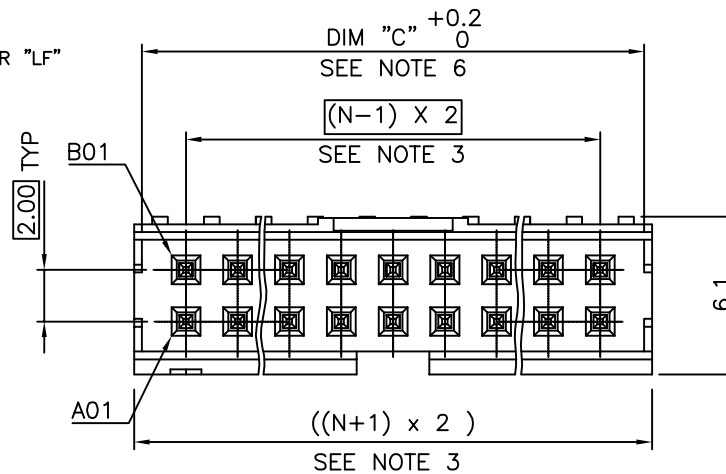
WHEN REQUIRED, ADD SUFFIX LETTER "LF" INDICATES THE PRODUCT IS RoHS COMPATIBLE, SEE NOTE 8

POLARIZATION, SEE NOTE 7
PACKAGING, SEE NOTE 5
TOTAL NB OF POSITIONS, 04 TO 50 POS
COLOR OPTION NOTE 1

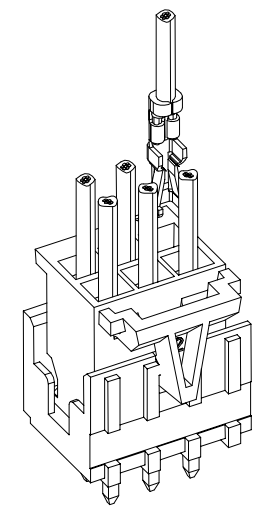
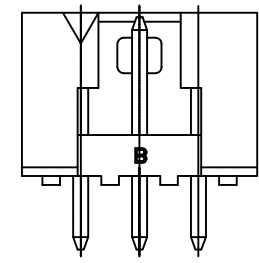
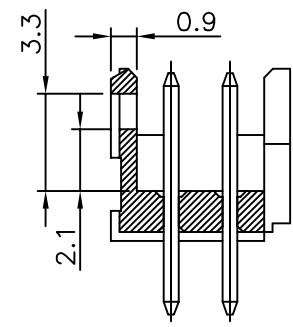
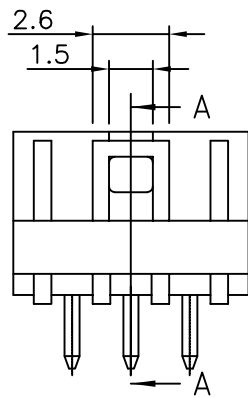
| PIN STYLE | POST LENGTH | TAIL LENGTH |
|-----------|-------------|-------------|
| 06 | 4.00 | 2.50 |
| 08 | 4.00 | 3.10 |
| 10 | 4.00 | 3.70 |

NOTES:

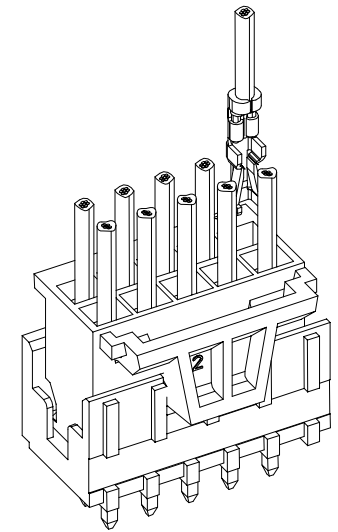
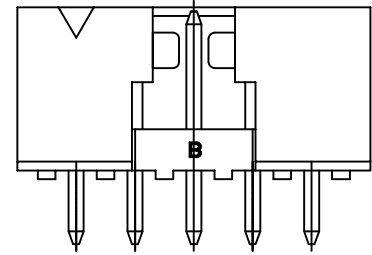
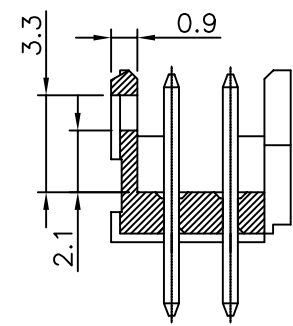
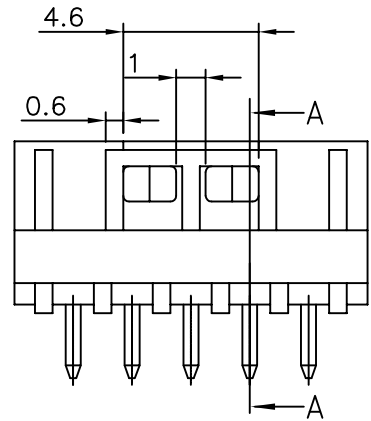
- MATERIAL HOUSING: HIGH TEMP. THERMOPLASTIC UL-94V0
- = STANDARD COLOR CREAM
B = OPTIONAL COLOR BLACK
- MATERIAL TERMINAL: COPPER ALLOY
- TO DETERMINE DIMENSIONS:
N = NUMBER OF POSITIONS PER ROW
- 7N MIN. PIN RETENTION IN EITHER DIRECTION.
- PACKAGING:
= PLASTIC BOX
- = PLASTIC BOX WHEN POLARISATION FEATURE APPLICABLE
U = TUBE AVAILABLE FROM 06 TO 50 POS
- DIM "C" = (N x 2) + 1.4
EXAMPLE: N = 7
DIM "C" = (7 x 2) + 1.4 = 15.4 mm
- FOR POLARIZATION, SPECIFIED PIN
EXAMPLE : A03 = ROW A, POSITION 03 TO OMIT PIN
OMIT FROM PRODUCT NUMBER IF THIS FEATURE IS NOT APPLICABLE.
- RoHS COMPATIBLE PRODUCT SPECIFICATIONS
 - PLATING:
- "LF" MEANS THE PRODUCT IS LEAD-FREE,
2µm MINIMUM MATTE TIN OVER 1.27µm
MINIMUM NICKEL UNDERPLATE.
 - MANUFACTURING PROCESS COMPATIBILITY
- THE HOUSING WILL WITHSTAND EXPOSURE TO
260°C ±5°C SOLDER BATH TEMPERATURE FOR
5 SECONDS IN A WAVE SOLDER APPLICATION
WITH A 1.6mm MIN THICK CIRCUIT BOARD.
 - LABELLING:
- MEETS PACKAGING SPECS AS PER GS-14-920
 - THIS PRODUCT MEETS EUROPEAN DIRECTIVES
AND OTHER COUNTRY REGULATIONS AS DISCRIBED
IN GS-22-008.



| | | | | | | | | | |
|-------------|----------|----------|----------|---------------------------------------|-------------|------------|--|-------------------|--|
| mat'l. code | | surface | | tolerance | | projection | | product family | |
| SEE NOTES | | ISO 1302 | | ISO 406 | | ISO 1101 | | MINITEK | |
| ltr | ecn no | dr | date | tolerances unless otherwise specified | | mm | | title | |
| P | F10-0215 | JCO | 10.09.16 | angles | X.X ±0.3 | mm | | SHR HEADER | |
| | | | | linear | X.XX ±0.13 | | | 2.00 VERTICAL TMT | |
| J | F05-0278 | LMU | 05.10.19 | | X.XXX ±0.05 | scale 1:1 | | dwg no | |
| K | F06-0210 | LMU | 06.07.05 | dr | L.MULIN | 04.09.27 | | sheet 1 of 2 | |
| L | F08-0113 | LMU | 08.01.17 | engr | J.COMPAGNON | 04.09.27 | | size | |
| M | F08-0145 | ELA | 15.04.08 | chr | | | | 98414 | |
| N | F09-0211 | JCO | 09.11.03 | appd | JM.C | 04.09.27 | | A3 | |
| sheet | revision | P | A | | | | | type | |
| index | sheet | 1 | 2 | | | | | CUSTOMER Drawing | |



2x3 POS AND 2x4 POS CONFIGURATION
NO LATCHING AVAILABLE FOR 2x2 POS



2x5 POS UP TO 2x25 POS CONFIGURATION

LATCHING FEATURES WHEN USED IN COMBINATION
WITH ACTIVE LATCH HOUSING 10073599

| | | | | | | | | | |
|-------------|----------------|----------|----------|---------------------------------------|-------------|------------|-------------------|-------------------|------------------|
| mat'l. code | | surface | | tolerance | | projection | | product family | |
| SEE NOTES | | ISO 1302 | | ISO 406 | | ISO 101 | | MINITEK | |
| ltr | ecn no | dr | date | tolerances unless otherwise specified | | mm | | title | |
| A | F08-0113 | LMU | 08.01.17 | angles | X.X ±0.3 | mm | | SHR HEADER | |
| | | | | linear | X.XX ±0.13 | scale 1:1 | | 2.00 VERTICAL TMT | |
| | | | | | X.XXX ±0.05 | | | dwg no | |
| | | | | dr | L.MULIN | 07.11.06 | sheet 2 of - size | | |
| | | | | engr | J.COMPAGNON | 07.11.06 | 98414 | | A3 |
| | | | | chr | | | type | | CUSTOMER Drawing |
| | | | | appd | JM.C | 07.11.06 | | | |
| sheet index | revision sheet | | | | | | | | |



Copyright FCI