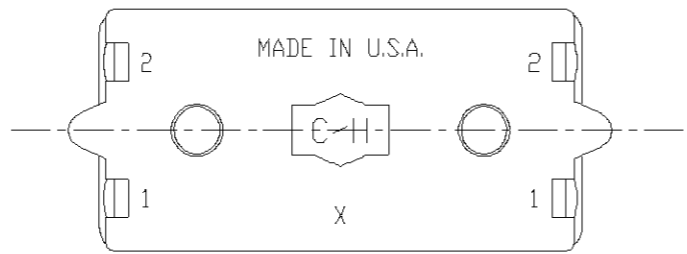
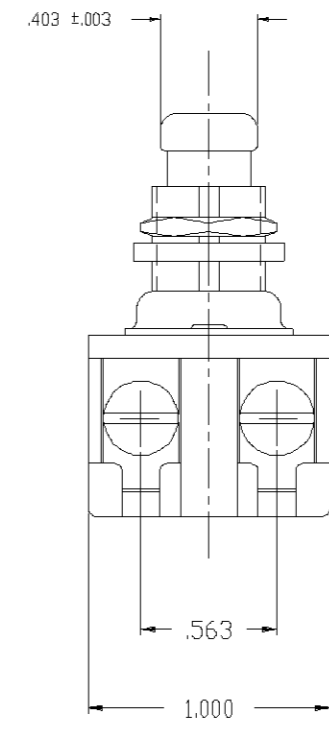
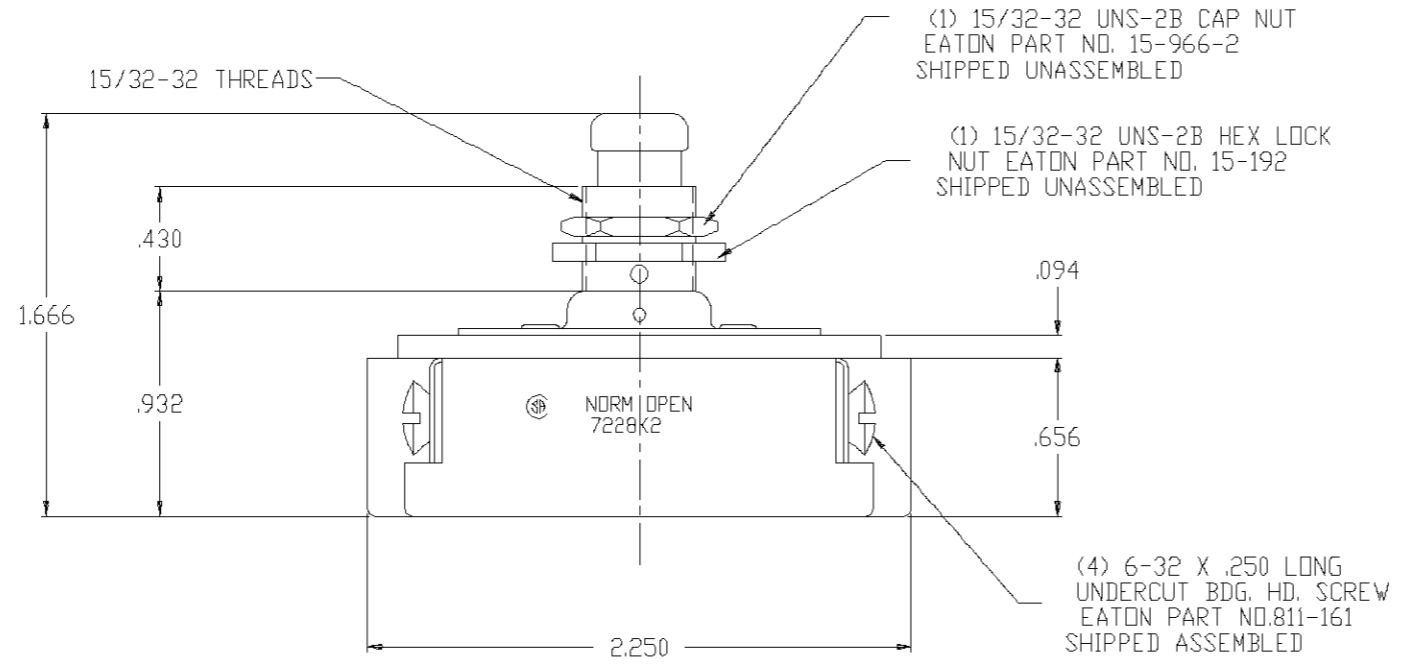
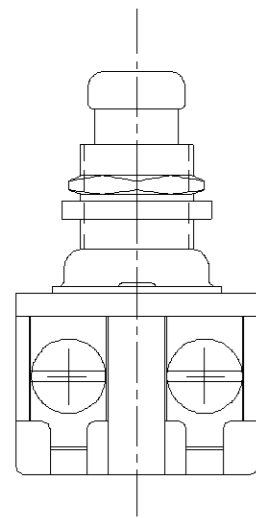


NOTE:
1. UNLESS OTHERWISE SPECIFIED ALL TOLERANCES TO BE ±.016.



ORDER NO. 93719950

A					D				
B					E				
C					F				

THIRD ANGLE PROJECTION



TITLE: D.P. MOMENTARY CONTACT PUSH SWITCH - NORMALLY "OFF"			
DR.		SURFACE COATING	FIRST ASSEM. WHERE LISTED 7228K2
CHK.		SCALE	SUP'S ARROW HART 80938
APP.		DO NOT SCALE DRAWING	SUP'D BY