

PLEASE CHECK WWW.MOLEX.COM FOR LATEST PART INFORMATION

Part Number: [0399600105](#)
Status: **Active**
Description: 8.00mm (.315") Beau™ Eurostyle™ Fixed Mount PCB Terminal Block, High Voltage 5 Circuits

Documents:

[3D Model](#) [RoHS Certificate of Compliance \(PDF\)](#)
[Drawing \(PDF\)](#)

General

Product Family	Terminal Blocks
Series	39960
Application	Wire-to-Board
Component Type	One Piece
Product Literature Order No	USA-199
Product Name	Eurostyle™ Fixed Mount
Type	Euro Block

Physical

Circuits (Loaded)	5
Circuits (maximum)	5
Color - Resin	Black
Entry Angle	Horizontal
Lock to Mating Part	None
Material - Metal	High Performance Alloy (HPA)
Material - Plating Mating	Tin
Material - Plating Termination	Tin
Material - Resin	Polyester
Number of Rows	1
Orientation	Vertical
PC Tail Length (in)	0.160 In
PC Tail Length (mm)	4.06 mm
PCB Retention	None
Panel Mount	No
Pitch - Mating Interface (in)	0.315 In
Pitch - Mating Interface (mm)	8.00 mm
Pitch - Term. Interface (in)	0.315 In
Pitch - Term. Interface (mm)	8.00 mm
Plating min: Mating (µin)	150
Plating min: Mating (µm)	3.75
Plating min: Termination (µin)	150
Plating min: Termination (µm)	3.75
Polarized to Mating Part	N/A
Shrouded	Fully
Stackable	No
Surface Mount Compatible (SMC)	No
Temperature Range - Operating	130°C
Wire Size AWG	10, 12, 14, 16, 18, 20, 22
Wire Size mm²	0.50 - 4.00

Electrical

Current - Maximum per Contact	30A
Voltage - Maximum	600V

Material Info

Old Part Number	960505
-----------------	--------

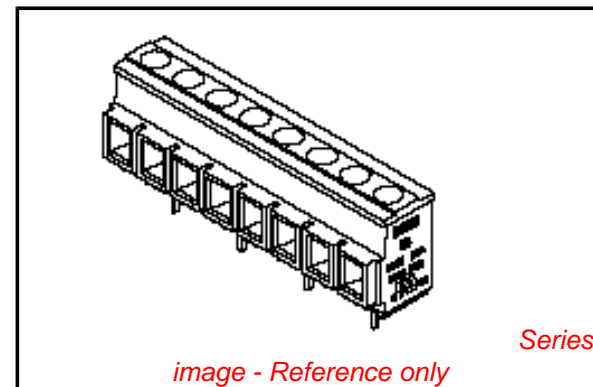


image - Reference only

EU RoHS

**ELV and RoHS
Compliant**
REACH SVHC
 Not Reviewed
**Halogen-Free
Status**

China RoHS



Not Reviewed

**Need more information on product
environmental compliance?**

Email productcompliance@molex.com
 For a multiple part number RoHS Certificate of Compliance, [click here](#)

Please visit the [Contact Us](#) section for any non-product compliance questions.

Search Parts in this Series

[39960Series](#)

Mates With

N/A

Reference - Drawing Numbers

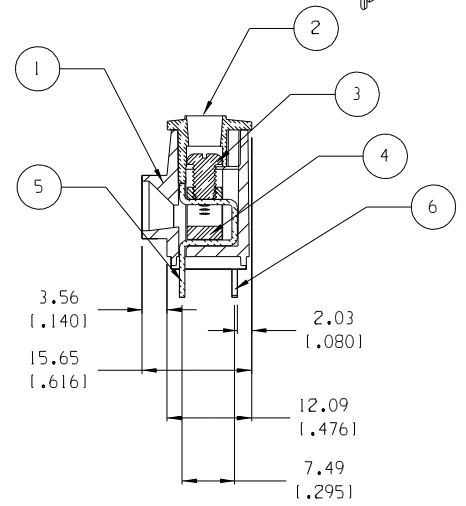
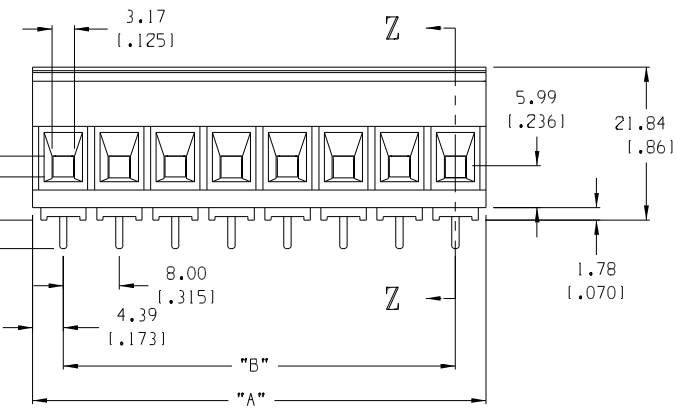
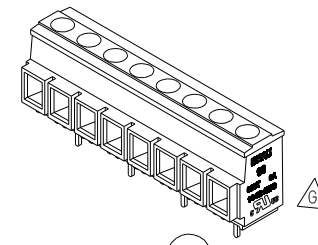
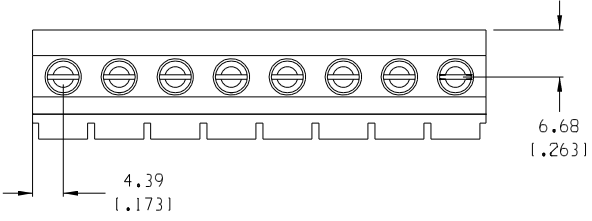
Sales Drawing

SD-39960-002

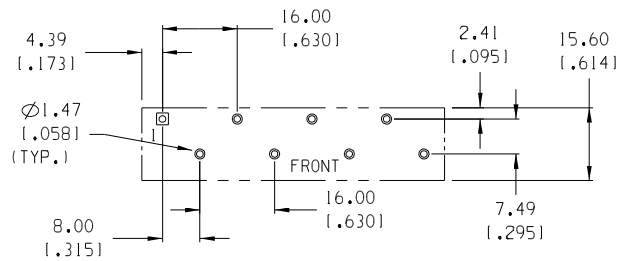
This document was generated on 04/27/2010

PLEASE CHECK WWW.MOLEX.COM FOR LATEST PART INFORMATION

MATERIAL NO.	NUMBER OF CIRCUITS "XX"	DIM. "A"	DIM. "B"
39960-0103	03	24.9 [.981]	16.00 [.630]
39960-0104	04	32.9 [1.30]	24.00 [.945]
39960-0105	05	40.9 [1.61]	32.00 [1.260]
39960-0106	06	48.9 [1.93]	40.00 [1.575]
39960-0107	07	56.9 [2.24]	48.00 [1.890]
39960-0108	08	64.9 [2.56]	56.00 [2.205]
39960-0109	09	72.9 [2.87]	64.00 [2.520]
39960-0110	10	80.9 [3.19]	72.00 [2.835]
39960-0111	11	88.9 [3.50]	80.00 [3.150]
39960-0112	12	96.9 [3.82]	88.00 [3.465]



SECTION Z-Z



PTH PATTERN

NOTES:

1. MATERIAL: SEE TABLE
2. FINISHES: SEE TABLE
3. PRODUCT SPECIFICATION: NOT REQUIRED
4. PACKAGING: NOT REQUIRED
5. MATES WITH: NONE
6. ALL CREEP DISTANCES FOR UL 1059, CLASS C, 600V GENERAL INDUSTRIAL.
7. FOR USE WITH #22-#10 AWG SOLID AND STRANDED WIRES.
8. TORQUE RATING IS 7 IN.-LB.
9. "XX" REFERS TO THE NUMBER OF CIRCUITS.

ITEM	QTY.	DESCRIPTION	MATERIAL	FINISH
6	XX/2	REAR TERMINAL	BRASS	TIN
5	XX/2	FRONT TERMINAL	BRASS	TIN
4	XX	CAGE	BRASS	NICKEL
3	XX	SCREW, M3.5 X 0.6	BRONZE	TIN
2	1	COVER	THERMOPLASTIC	BLACK
1	1	BODY	THERMOPLASTIC	BLACK

EC NO. ECN 3920
 DRWN: JF 12-20-04
 CH'KT
 APPR:
 REV

QUALITY SYMBOLS
 MAJOR
 CRITICAL

GENERAL TOLERANCES: (UNLESS SPECIFIED)	
mm	INCH
4 PLACES	±.0015
3 PLACES	±.038 ±.005
2 PLACES	±.13 ±.01
1 PLACE	±.3
ANGULAR: ±2°	
DRAFT WHERE APPLICABLE MUST REMAIN WITHIN DIMENSIONS	

SCALE 3:2
 DESIGN UNITS mm INCH
 THIRD ANGLE PROJECTION
 DRAWN BY & DATE GHR 3-19-02
 CHECKED BY & DATE A. PLAZA 6-18-02
 APPROVED BY & DATE L. ROTHHAUS 6-18-02
 CAD FILENAME 9605-XX

DIMENSIONS: mm INCH mm ONLY INCH ONLY
 SHT REV
 REVISE ON CAD ONLY
 TITLE: SR BTS, PKKT, #10 AWG, ASSY 600V, 30A
 MOLEX INCORPORATED
 MATERIAL NO. SEE CHART
 DRAWING NO. SD-39960-002
 SHEET NO. 1 OF 1
 THIS DRAWING CONTAINS INFORMATION THAT IS PROPRIETARY TO MOLEX INCORPORATED AND SHOULD NOT BE USED WITHOUT WRITTEN PERMISSION.
 SIZE B