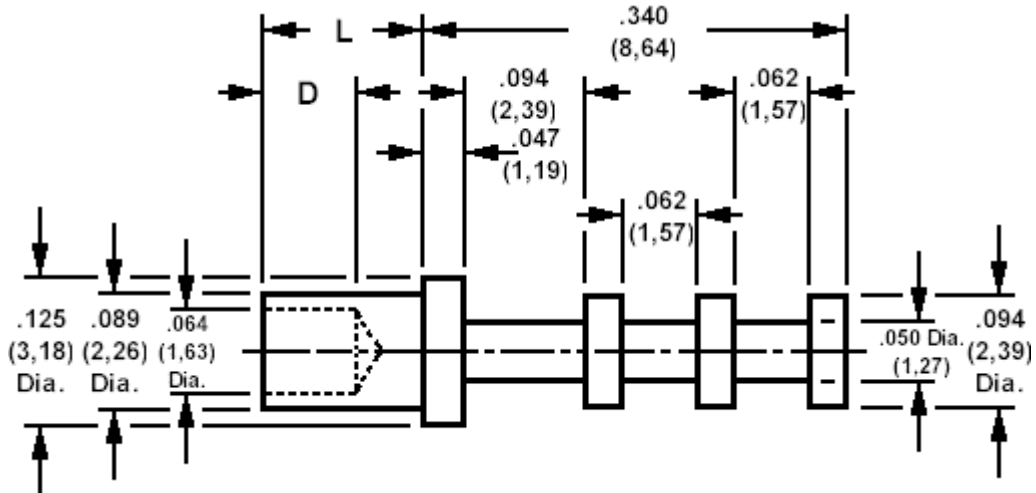


160-1058 Solder terminal, turreted

Recommended mounting hole .089 (2,26), #43 drill



How to order code

160-1058-XX-YY-00

Basic Part No XX = L dimension, YY = Plating Finish

DIMENSIONS (XX)				
Basic Part No	(XX)	L	Board Thickness	D
160-1058	-01	.075 (1,91)	.031 (0,79)	.047 (1,19)
	-02	.105 (2,67)	.062 (1,58)	.062 (1,57)
	-03	.135 (3,43)	.094 (2,38)	.062 (1,57)
	-04	.165 (4,19)	.125 (3,18)	.062 (1,57)

MATERIALS			
Component	Material	Finish (YY)	
Terminal	Brass	-01	-05
		Silver	Electro Solder

SWAGE TOOLING	
Recommended Swaging Tools:-	
Anvil	435-6404-01-00-00
Roll punch	435-6604-01-00-00
Flare punch	435-6663-01-00-00