

## Series NDP 90° SMT Type Plug (1.27mm Pitch)

### Specifications

Insulation Resistance: 500MΩ min. at 500V DC  
 Withstanding Voltage: 500V ACrms for 1 minute  
 Contact Resistance: 35mΩ max. at 10mA  
 Current Rating: 0.5A  
 Operating Temp. Range: -55°C to +85°C  
 Mating Cycles: 500 insertions  
 Soldering Temp.: 220°C min. / 60 sec., 250°C peak

### Materials and Finish

Housing: PPS (glass filled), UL 94V-0 rated  
 Contacts: Copper Alloy  
 Plating: Mating Face Contacts - Au over Ni  
 Solder Terminals - Au over Ni

### Features

- Low insertion and extraction forces due to bellows type contacts

### Part Number (Details)

**NDP 050 - 003 - BF**

Series (plug)

No. of Leads

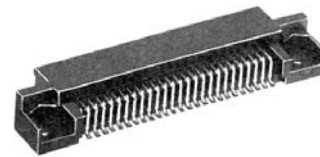
Terminal Type:

3 = Right Angle SMT

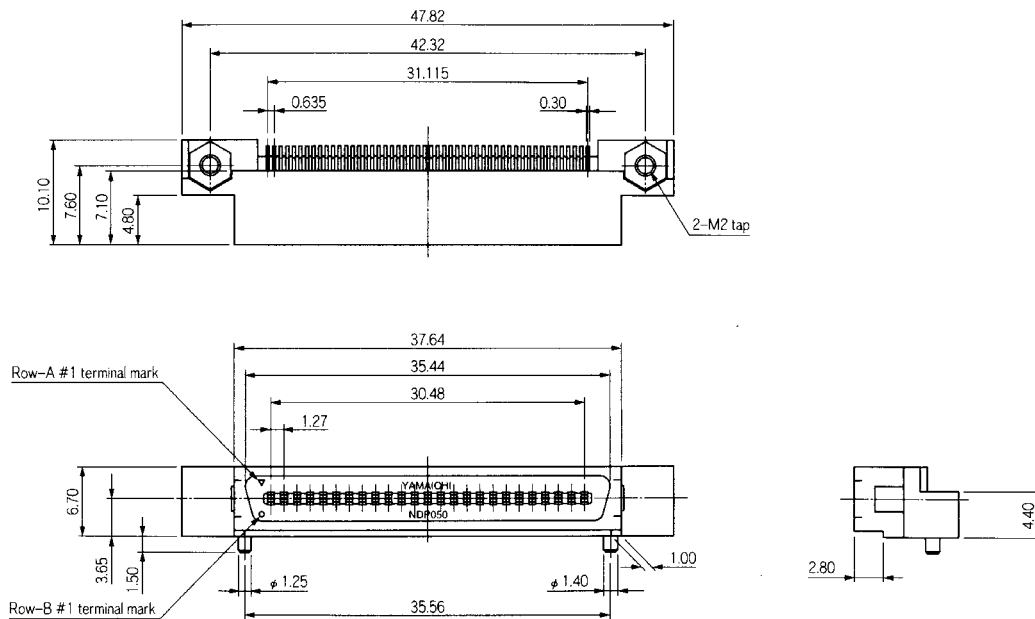
Contact Plating:

Mating Face - Au (0.3μm min.) over Ni

Solder Terminals - Au (0.05μm min.) over Ni

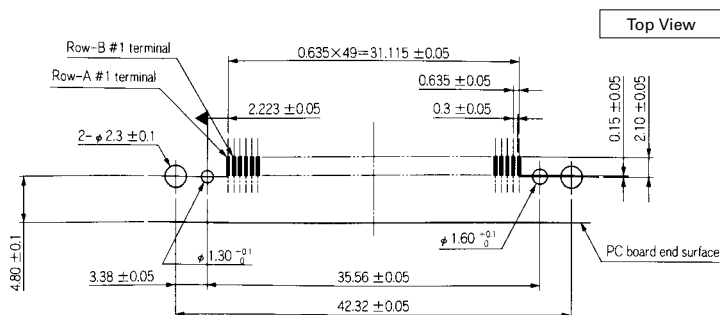


### Outline Dimensions



1.27 mm Board-to-Board Connectors

### Recommended PCB Layout



### Contact Details

