

# LXA10T600, LXA10FP600 Qspeed™ Family

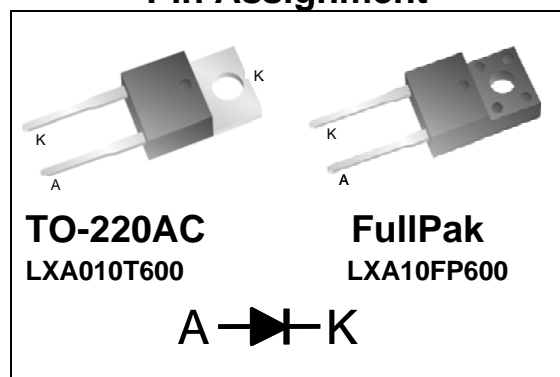


600 V, 10 A X-Series PFC Diode

## Product Summary

$I_{F(AVG)}$	10	A
$V_{RRM}$	600	V
$Q_{RR}$ (Typ at 125 °C)	94	nC
$I_{RRM}$ (Typ at 125 °C)	3.85	A
Softness $t_b/t_a$ (Typ at 125 °C)	0.5	

## Pin Assignment



## RoHS Compliant

Package uses Lead-free plating and Green mold compound.  
Halogen free per IEC 61249-2-21.

## General Description

This device has the lowest  $Q_{RR}$  of any 600V Silicon diode. Its recovery characteristics increase efficiency, reduce EMI and eliminate snubbers.

## Applications

- Power Factor Correction (PFC) Boost Diode
- Motor drive circuits
- DC-AC Inverters

## Features

- Low  $Q_{RR}$ , Low  $I_{RRM}$ , Low  $t_{RR}$
- High  $di_f/dt$  capable (1000A/ $\mu$ s)
- Soft recovery
- FullPak Insulation = 2500V<sub>RMS</sub>

## Benefits

- Increases efficiency
  - Eliminates need for snubber circuits
  - Reduces EMI filter component size & count
- Enables extremely fast switching

## Absolute Maximum Ratings

Absolute maximum ratings are the values beyond which the device may be damaged or have its useful life impaired. Functional operation under these conditions is not implied.

Symbol	Parameter	Conditions	Rating	Units
$V_{RRM}$	Peak repetitive reverse voltage		600	V
$I_{F(AVG)}$	Average forward current	$T_J = 150\text{ °C}, T_C = 118\text{ °C}$ (TO-220AC)	10	A
		$T_J = 150\text{ °C}, T_C = 67\text{ °C}$ (FullPak)		
$I_{FSM}$	Non-repetitive peak surge current	60 Hz, 1/2 cycle	70	A
$I_{FSM}$	Non-repetitive peak surge current	1/2 cycle of $t=28\text{ }\mu$ s Sinusoid, $T_C=25\text{ °C}$	350	A
$T_{J(MAX)}$	Maximum junction temperature		150	°C
$T_{STG}$	Storage temperature		-55 to 150	°C
	Lead soldering temperature	Leads at 1.6 mm from case, 10 sec	300	°C
$P_D$	Power dissipation	$T_C = 25\text{ °C}$ (TO-220AC)	89	W
		$T_C = 25\text{ °C}$ (FullPak)	35	W

## Thermal Resistance

Symbol	Resistance from:	Conditions	Rating	Units
$R_{\theta JC}$	Junction to case	TO-220AC	1.4	°C/W
$R_{\theta JC}$	Junction to case	FullPak	3.6	°C/W

**Electrical Specifications at T<sub>J</sub> = 25 °C (unless otherwise specified)**

Symbol	Parameter	Conditions	Min	Typ	Max	Units	
<b>DC Characteristics</b>							
I <sub>R</sub>	Reverse current	V <sub>R</sub> = 600V, T <sub>J</sub> = 25 °C	-	-	250	μA	
		V <sub>R</sub> = 600V, T <sub>J</sub> = 125 °C	-	1.2	-	mA	
V <sub>F</sub>	Forward voltage	I <sub>F</sub> = 10A, T <sub>J</sub> = 25 °C	-	2.4	3.0	V	
		I <sub>F</sub> = 10A, T <sub>J</sub> = 150 °C	-	2.1	-	V	
C <sub>J</sub>	Junction capacitance	V <sub>R</sub> = 10V, 1 MHz	-	51	-	pF	
<b>Dynamic Characteristics</b>							
t <sub>RR</sub>	Reverse recovery time	di/dt = 200A/μs V <sub>R</sub> = 400V, I <sub>F</sub> = 10A	T <sub>J</sub> = 25 °C	-	23	-	ns
			T <sub>J</sub> = 125 °C	-	35	-	ns
Q <sub>RR</sub>	Reverse recovery charge	di/dt = 200A/μs V <sub>R</sub> = 400V, I <sub>F</sub> = 10A	T <sub>J</sub> = 25 °C	-	36	54	nC
			T <sub>J</sub> = 125 °C	-	94	-	nC
I <sub>RRM</sub>	Maximum reverse recovery current	di/dt = 200A/μs V <sub>R</sub> = 400V, I <sub>F</sub> = 10A	T <sub>J</sub> = 25 °C	-	2.35	3.2	A
			T <sub>J</sub> = 125 °C	-	3.85	-	A
S	Softness factor = $\frac{t_b}{t_a}$	di/dt = 200A/μs V <sub>R</sub> = 400V, I <sub>F</sub> = 10A	T <sub>J</sub> = 25 °C	-	0.75	-	
			T <sub>J</sub> = 125 °C	-	0.5	-	

**Note to component engineers:** X-Series diodes employ Schottky technologies in their design and construction. Therefore, Component Engineers should plan their test setups to be similar to those for traditional Schottky test setups. (For additional details, see Application Note AN-300.)

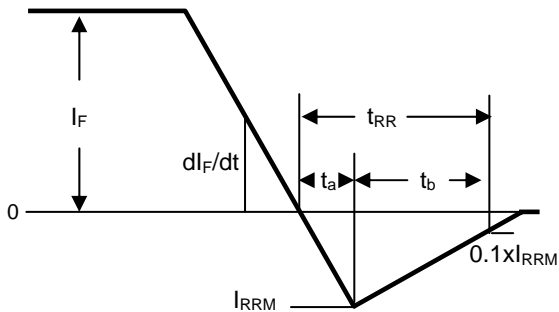


Figure 1. Reverse Recovery Definitions

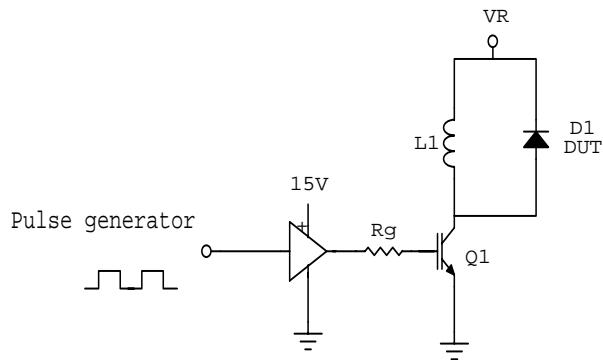


Figure 2. Reverse Recovery Test Circuit

Electrical Specifications at  $T_J = 25\text{ }^\circ\text{C}$  (unless otherwise specified)

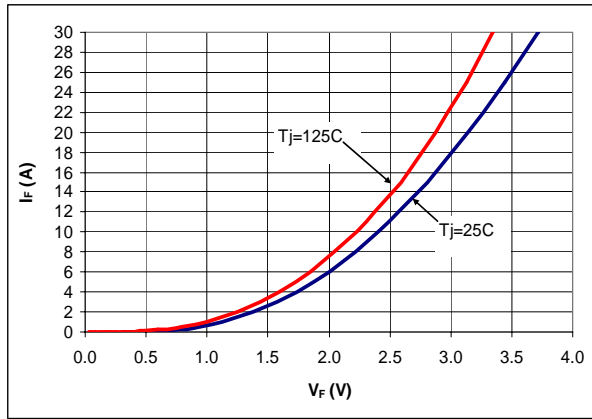


Figure 3. Typical  $I_F$  vs  $V_F$

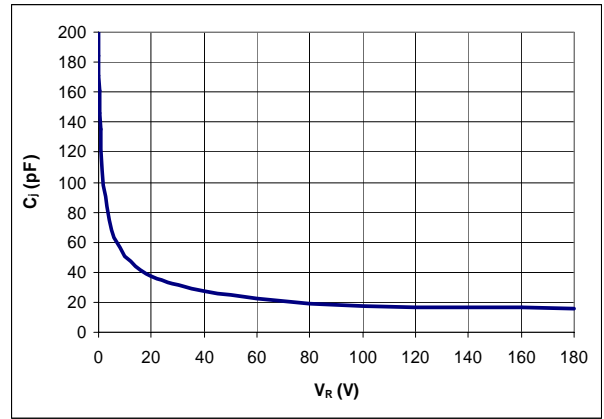


Figure 4. Typical  $C_i$  vs  $V_R$

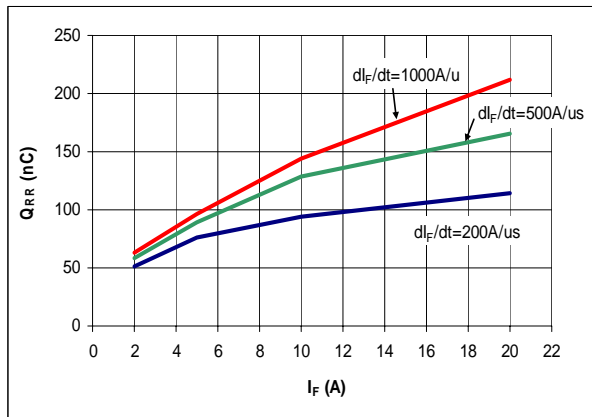


Figure 5. Typical  $Q_{RR}$  vs  $I_F$  at  $T_J = 125\text{ }^\circ\text{C}$

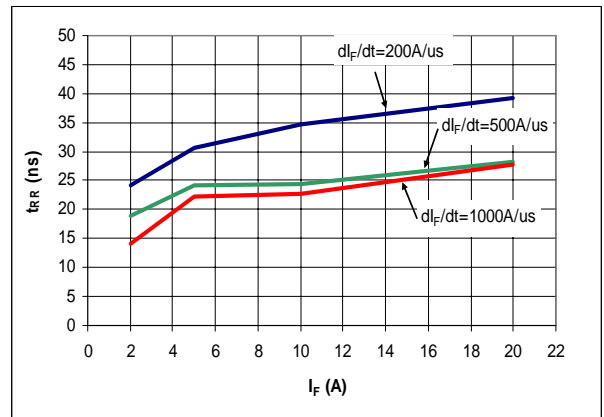


Figure 6. Typical  $t_{RR}$  vs  $I_F$  at  $T_J = 125\text{ }^\circ\text{C}$

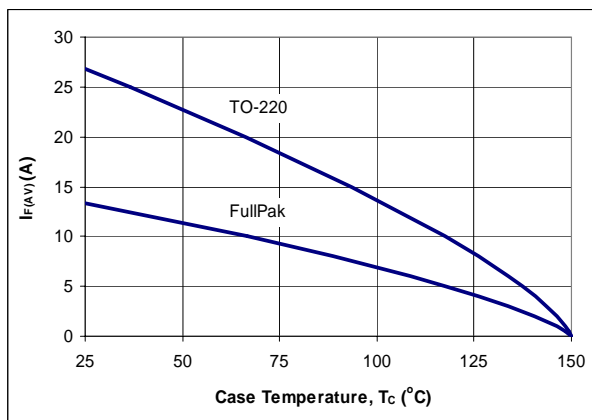


Figure 7. DC Current Derating Curve

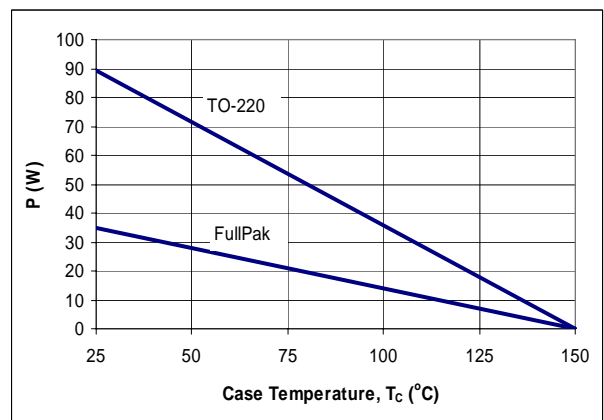


Figure 8. Power Derating Curve

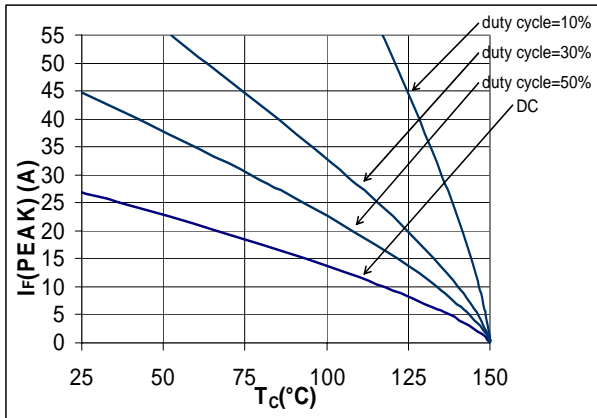


Figure 9.  $I_f(\text{PEAK})$  vs  $T_c$ ,  $f=70$  kHz, TO-220

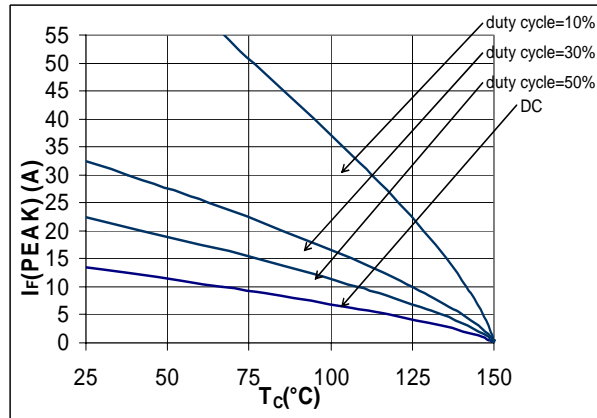


Figure 10.  $I_f(\text{PEAK})$  vs  $T_c$ ,  $f=70$  kHz, FullPak

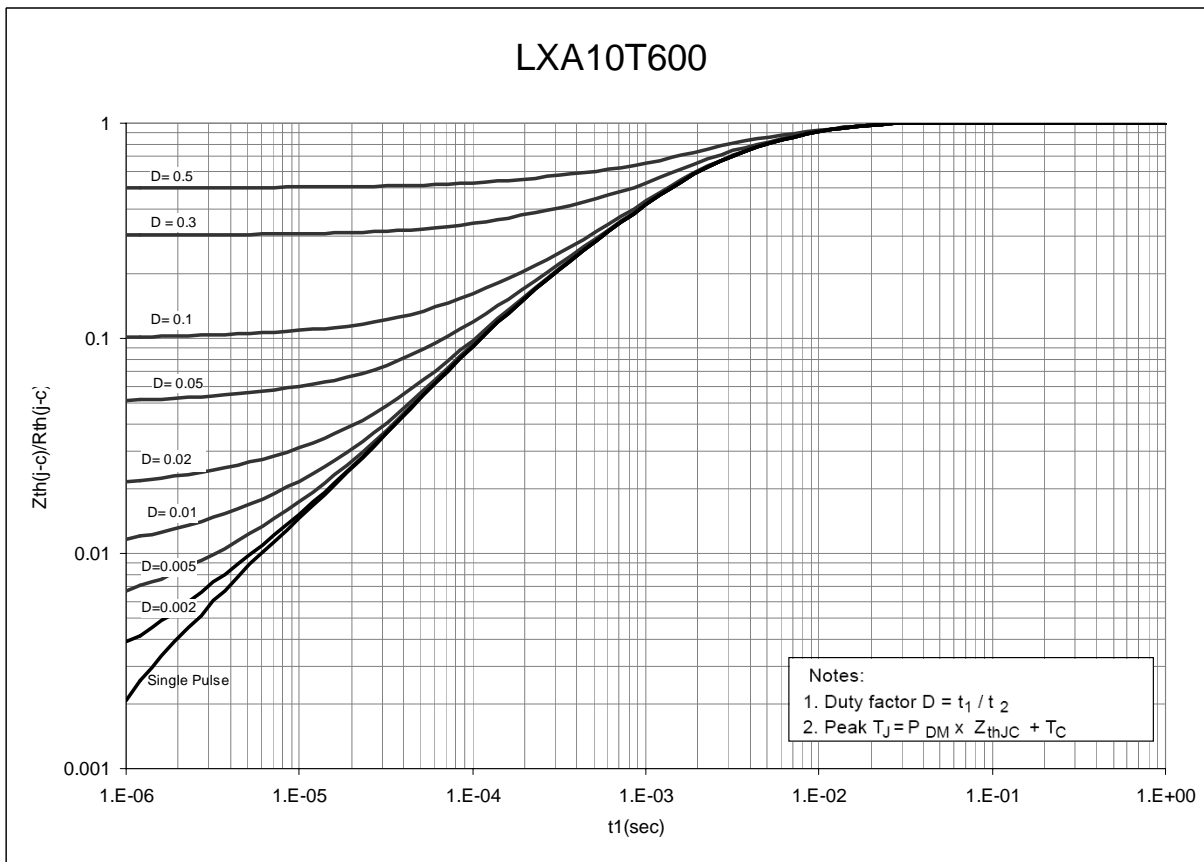


Figure 11. Normalized Maximum Transient Thermal Impedance, TO-220

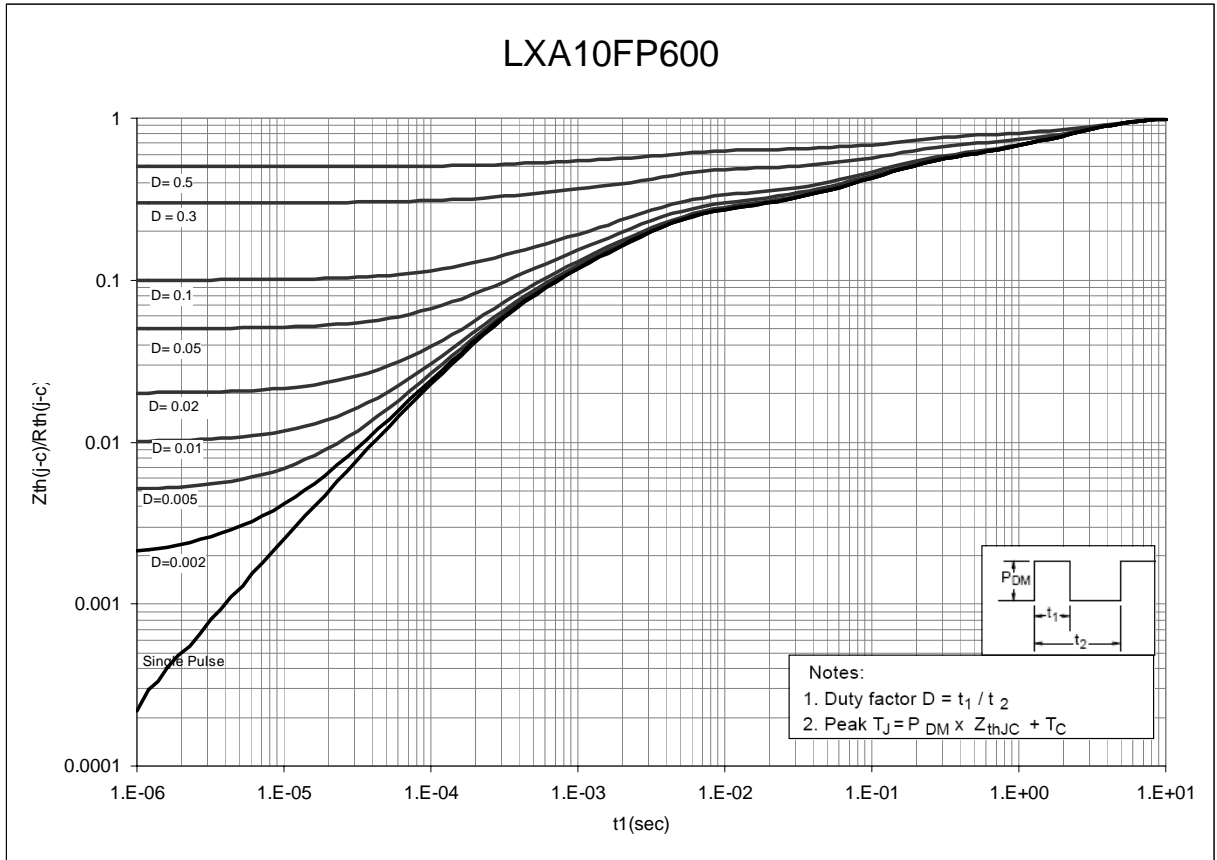
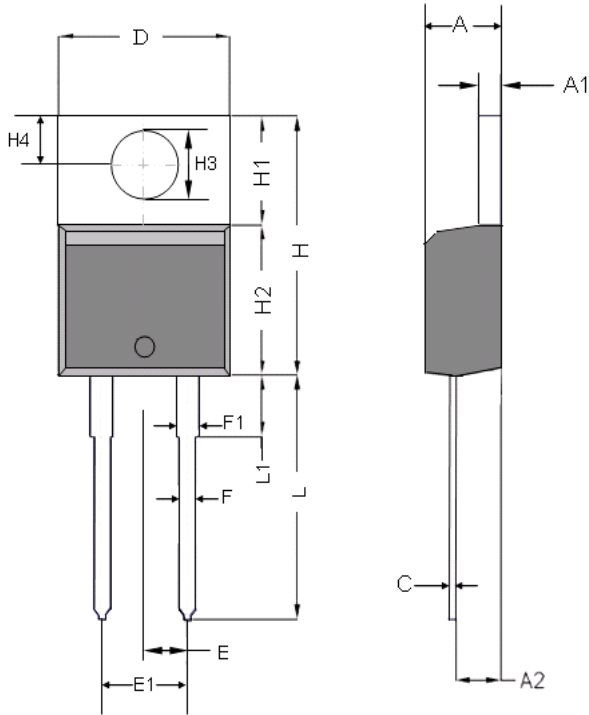


Figure 12. Normalized Maximum Transient Thermal Impedance, FullPak

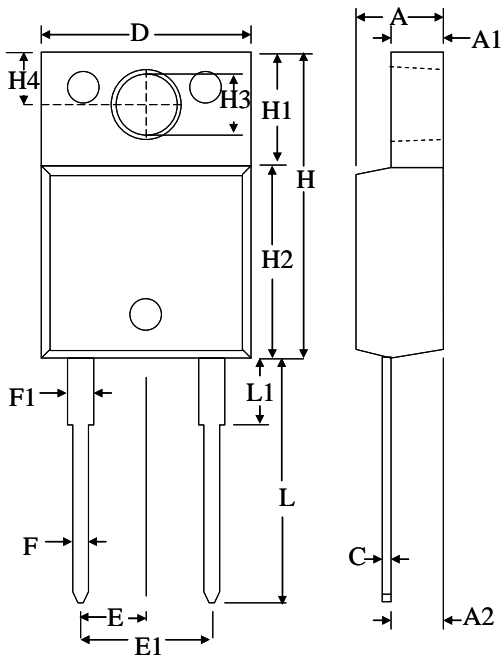
## Dimensional Outline Drawings

### TO-220AC



Dim	Millimeters	
	MIN	MAX
A	4.32	4.70
A1	1.14	1.40
A2	2.03	2.79
C	0.34	0.610
D	9.65	10.67
E	2.49	2.59
E1	4.98	5.18
F	0.508	1.016
F1	1.14	1.78
H	14.71	16.51
H1	5.84	6.55
H2	8.51	9.25
H3	3.53	3.96
H4	2.54	3.05
L	12.70	14.22
L1	-	6.35

### FullPak



Dim	Millimeters	
	MIN	MAX
A	4.54	4.80
A1	2.57	2.83
A2	2.51	2.62
C	0.42	0.58
D	10.25	10.72
E	2.54 (BSC)	
E1	5.08 (BSC)	
F	0.624	0.776
F1	1.10	1.65
H	15.86	16.12
H1	6.06	6.56
H2	9.55	9.81
H3	2.95	3.05
H4	3.15	3.25
L	13.33	14.18
L1	3.18	3.43

Mechanical Mounting Method	Maximum Torque / Pressure specification
Screw through hole in package tab	1 Newton Meter (nm) or 8.8 inch-pounds (lb-in)
Clamp against package body	12.3 kilogram-force per square centimeter (kgf/cm <sup>2</sup> ) or 175 lbf/in <sup>2</sup>

**Soldering time and temperature:** This product has been designed for use with high-temperature, lead-free solder. The component leads can be subjected to a maximum temperature of 300 °C, for up to 10 seconds. See Application Note AN-303, for more details.

## Ordering Information

Part Number	Package	Packing
LXA10T600, LXA10FP600	TO-220, FullPak	50 units/tube

The information contained in this document is subject to change without notice.

---

<b>Revision</b>	<b>Notes</b>	<b>Date</b>
1.0	Released by Qspeed	06/10
1.1	Converted to Power Integrations Document	01/11



## For the latest updates, visit our website: [www.powerint.com](http://www.powerint.com)

Power Integrations reserves the right to make changes to its products at any time to improve reliability or manufacturability. Power Integrations does not assume any liability arising from the use of any device or circuit described herein. POWER INTEGRATIONS MAKES NO WARRANTY HEREIN AND SPECIFICALLY DISCLAIMS ALL WARRANTIES INCLUDING, WITHOUT LIMITATION, THE IMPLIED WARRANTIES OF MERCHANTABILITY, FITNESS FOR A PARTICULAR PURPOSE, AND NON-INFRINGEMENT OF THIRD PARTY RIGHTS.

### PATENT INFORMATION

The products and applications illustrated herein (including transformer construction and circuits external to the products) may be covered by one or more U.S. and foreign patents, or potentially by pending U.S. and foreign patent applications assigned to Power Integrations. A complete list of Power Integrations' patents may be found at [www.powerint.com](http://www.powerint.com). Power Integrations grants its customers a license under certain patent rights as set forth at <http://www.powerint.com/ip.htm>.

The PI Logo, TOPSwitch, TinySwitch, LinkSwitch, DPA-Switch, PeakSwitch, CAPZero, SENZero, LinkZero, HiperPFS, HiperTFS, Qspeed, EcoSmart, Clampless, E-Shield, Filterfuse, StackFET, PI Expert and PI FACTS are trademarks of Power Integrations, Inc. Other trademarks are property of their respective companies. ©Copyright 2011 Power Integrations, Inc.

## Power Integrations Worldwide Sales Support Locations

### WORLD HEADQUARTERS

5245 Hellyer Avenue  
San Jose, CA 95138, USA.  
Main: +1-408-414-9200  
Customer Service:  
Phone: +1-408-414-9665  
Fax: +1-408-414-9765  
*e-mail:*  
[usasales@powerint.com](mailto:usasales@powerint.com)

### GERMANY

Rueckertstrasse 3  
D-80336, Munich  
Germany  
Phone: +49-89-5527-3911  
Fax: +49-89-5527-3920  
*e-mail:*  
[eurosales@powerint.com](mailto:eurosales@powerint.com)

### JAPAN

Kosei Dai-3 Building  
2-12-11, Shin-Yokohama,  
Kohoku-ku, Yokohama-shi,  
Kanagawa 222-0033  
Japan  
Phone: +81-45-471-1021  
Fax: +81-45-471-3717  
*e-mail:* [japansales@powerint.com](mailto:japansales@powerint.com)

### TAIWAN

5F, No. 318, Nei Hu Rd., Sec. 1  
Nei Hu District  
Taipei 114, Taiwan R.O.C.  
Phone: +886-2-2659-4570  
Fax: +886-2-2659-4550  
*e-mail:*  
[taiwansales@powerint.com](mailto:taiwansales@powerint.com)

### CHINA (SHANGHAI)

Rm 1601/1610, Tower 1  
Kerry Everbright City  
No. 218 Tianmu Road West  
Shanghai, P.R.C. 200070  
Phone: +86-021-6354-6323  
Fax: +86-021-6354-6325  
*e-mail:*  
[chinasales@powerint.com](mailto:chinasales@powerint.com)

### INDIA

#1, 14<sup>th</sup> Main Road  
Vasanthanagar  
Bangalore-560052  
India  
Phone: +91-80-4113-8020  
Fax: +91-80-4113-8023  
*e-mail:*  
[indiasales@powerint.com](mailto:indiasales@powerint.com)

### KOREA

RM 602, 6FL  
Korea City Air Terminal B/D, 159-6  
Samsung-Dong, Kangnam-Gu,  
Seoul, 135-728  
Korea  
Phone: +82-2-2016-6610  
Fax: +82-2-2016-6630  
*e-mail:* [koreasales@powerint.com](mailto:koreasales@powerint.com)

### EUROPE HQ

1st Floor, St. James's House  
East Street, Farnham  
Surrey GU9 7TJ  
United Kingdom  
Phone: +44 (0) 1252-730-141  
Fax: +44 (0) 1252-727-689  
*e-mail:*  
[eurosales@powerint.com](mailto:eurosales@powerint.com)

### CHINA (SHENZHEN)

Rm A, B & C 4<sup>th</sup> Floor, Block C,  
Electronics Science and  
Technology Building  
2070 Shennan Zhong Road  
Shenzhen, Guangdong,  
P.R.C. 518031  
Phone: +86-755-8379-3243  
Fax: +86-755-8379-5828  
*e-mail:*  
[chinasales@powerint.com](mailto:chinasales@powerint.com)

### ITALY

Via De Amicis 2  
20091 Bresso MI  
Italy  
Phone: +39-028-928-6000  
Fax: +39-028-928-6009  
*e-mail:*  
[eurosales@powerint.com](mailto:eurosales@powerint.com)

### SINGAPORE

51 Newton Road,  
#19-01/05 Goldhill Plaza  
Singapore, 308900  
Phone: +65-6358-2160  
Fax: +65-6358-2015  
*e-mail:*  
[singaporesales@powerint.com](mailto:singaporesales@powerint.com)

### APPLICATIONS HOTLINE

World Wide +1-408-414-9660

### APPLICATIONS FAX

World Wide +1-408-414-9760