

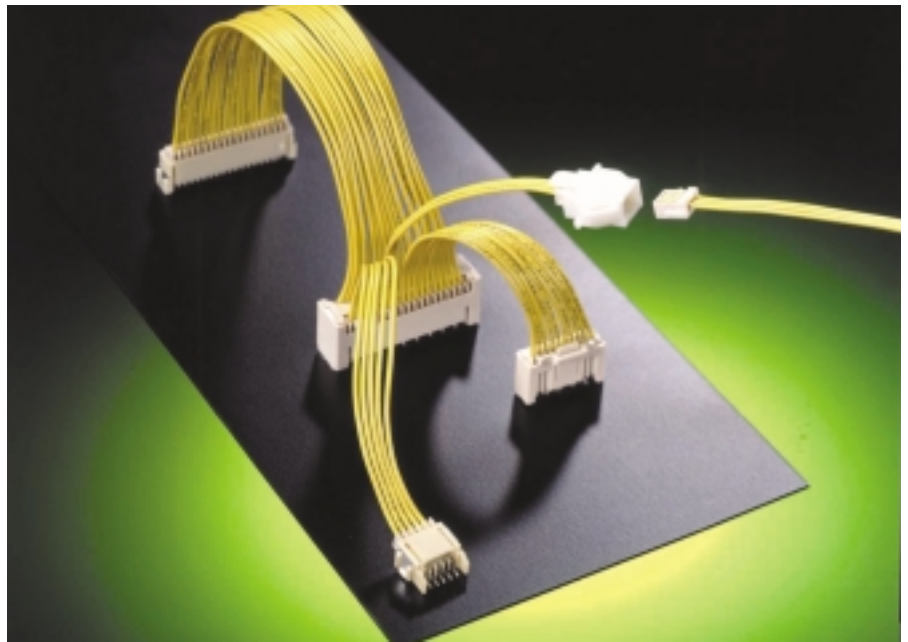
79503

Compact Multi-Harness System Designed for High Density Applications

Molex's 1.25mm (.049") pitch Mini Mi II™ wire harness system is designed for high-density applications. Mini Mi II provides the same 1.5 amperes of current as similar 2.00mm (.079") pitch systems, but in a more compact design. It is available in 2 to 40 circuits in single or dual row. Molex provides different custom lengths and wire configurations following customer's specifications.

Features and Benefits

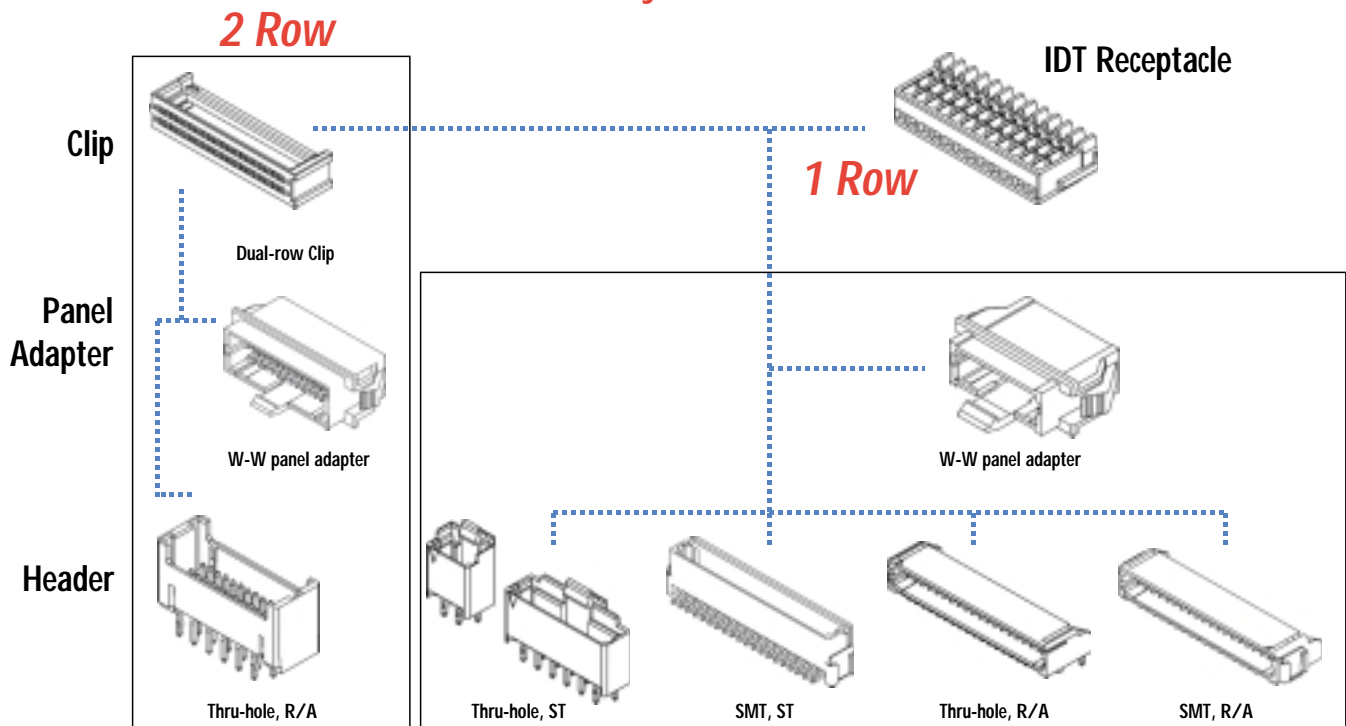
- Staggered 1.25mm (0.049") pitch provides high circuit density
- 1.5 amperes meets office automation standards
- Internal positive lock secures retention
- IDT housing ensures cost effective termination
- Single and dual row design meets various PCB layout needs
- APQP certified process ensures quality performance



APPLICATIONS

- Security devices
- Car audio, multimedia or HVAC
- Home appliances
- Office equipment
- Set-up boxes

Mini Mi II System Overview



SPECIFICATIONS

molex® 1.25mm (.049") Pitch Mini Mi II™ Wire Harness

79503

Reference Information

Packaging: Per customer request
Designed In: Millimeters

Electrical

Voltage: 100V
Current: 1.5A
Contact Resistance: 20 mΩ, max.
Dielectric Withstanding Voltage: 500V AC/1 min.
Insulation Resistance: 1000 MΩ, min.

Physical

Housing: Nylon, UL 94V-0
Contact: Brass
Plating: Contact Area – Pre-Tin
PCB Thickness: 1.60mm (through-hole)
Operating Temperature: -40 to 150°C



ORDERING INFORMATION

Order No.	Description
79503-XXXX	Contact Inside Sales for custom order numbers

Americas Headquarters

Lisle, Illinois 60532 U.S.A.
1-800-78MOLEX
amerinfo@molex.com

Far East North Headquarters

Yamato, Kanagawa, Japan
81-462-65-2324
feninfo@molex.com

Far East South Headquarters

Jurong, Singapore
65-6-268-6868
fesinfo@molex.com

European Headquarters

Munich, Germany
49-89-413092-0
eurinfo@molex.com

Corporate Headquarters

2222 Wellington Ct.
Lisle, IL 60532 U.S.A.
630-969-4550
Fax:630-969-1352

Visit our Web site at www.molex.com/product/mini_mi2.html