

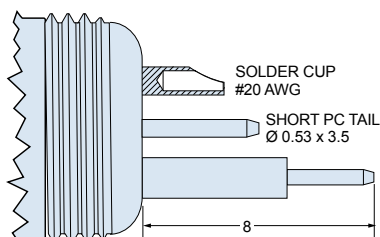
## Receptacle Connectors for Panel Mounting - 7 Contacts



**Jam Nut Receptacle**

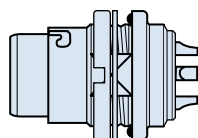
### Contact Types

Solder cup contacts accept up to #20 AWG stranded wire (1mm max. diameter). PC tail contacts are available in two lengths: 3.5 mm and 8.0 mm

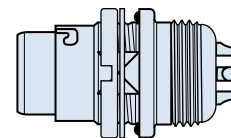


Receptacles feature non-removable solder cup contacts or printed circuit board terminals. Contacts are plated with hard gold. Stainless steel connector body and jam nut. Shell is plated with black chromate finish. Silicone face seal prevents water ingress when unmated. Open face pressure rating 0.4 bar. 5000 cycles mating durability.

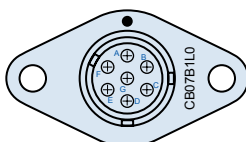
**Style 1**



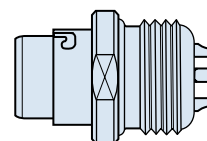
**Style 2**



**Style 3**



**Style 4**



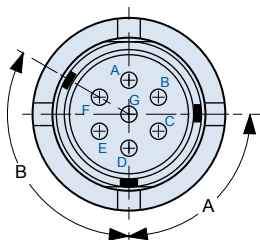
**1** Jam nut receptacle for rear panel mounting (3.5 mm maximum panel thickness). Supplied with stainless steel jam nut and flat washer. Nitrile O-ring provides watertight panel seal. 13 grams maximum weight.

**2** Jam nut receptacle with M14X1 accessory threads for rear panel mounting (3.5 mm max. panel thickness). Supplied with stainless steel jam nut and flat washer. Nitrile O-ring provides watertight panel seal. 13 grams maximum weight.

**3** Two hole flange mount receptacle for front panel mounting. Mounting holes accept M3 screws, not supplied. Use with optional gasket or O-ring for watertight panel sealing. 16 grams maximum weight.

**4** "Thread-in" receptacle with PG9 threads for installation directly into a tapped hole. Supplied with O-ring. 16 grams maximum weight.

## 7 Pin Receptacle Connector Mating Face and Key Positions



Position	A	B	Color Code
1	90°	120°	White
2	105°	130°	Yellow
3	110°	135°	Green
4	100°	165°	Pink

## 7 Pin Panel Mount Receptacle

Mounting Style	Fig.	Contact Type	Polarizing Position 1 (Blue)	Polarizing Position 2 (Yellow)	Polarizing Position 3 (Green)	Polarizing Position 4 (Pink)
Jam Nut	Fig. 1	Solder Cup	CB07C1L0	CB07C2L0	CB07C3L0	CB07C4L0
Jam Nut	Fig. 1	Short PC Tail	CB07C1L1	CB07C2L1	CB07C3L1	CB07C4L1
Jam Nut	Fig. 1	Long PC Tail	CB07C1L2	CB07C2L2	CB07C3L2	CB07C4L2
Jam Nut w/ Thd.	Fig. 2	Solder Cup	CB07T1L0	CB07T2L0	CB07T3L0	CB07T4L0
Jam Nut w/ Thd.	Fig. 2	Short PC Tail	CB07T1L1	CB07T2L1	CB07T3L1	CB07T4L1
Jam Nut w/ Thd.	Fig. 2	Long PC Tail	CB07T1L2	CB07T2L2	CB07T3L2	CB07T4L2
Flange	Fig. 3	Solder Cup	CB07B1L0	CB07B2L0	CB07B3L0	CB07B4L0
Flange	Fig. 3	Short PC Tail	CB07B1L1	CB07B2L1	CB07B3L1	CB07B4L1
Flange	Fig. 3	Long PC Tail	CB07B1L2	CB07B2L2	CB07B3L2	CB07B4L2
Thread-In	Fig. 4	Solder Cup	CB07Q1L0	CB07Q2L0	CB07Q3L0	CB07Q4L0
Thread-In	Fig. 4	Short PC Tail	CB07Q1L1	CB07Q2L1	CB07Q3L1	CB07Q4L1
Thread-In	Fig. 4	Long PC Tail	CB07Q1L2	CB07Q2L2	CB07Q3L2	CB07Q4L2

All dimensions in millimeters (mm). Information subject to change without notice.

CAGE Code 06324

Printed in U.S.A.

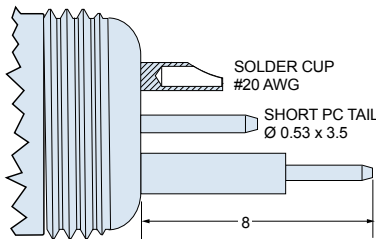
## Receptacle Connectors for Panel Mounting - 10 Contacts



**Jam Nut Receptacle**

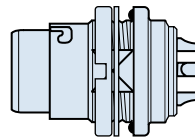
### Contact Types

Solder cup contacts accept up to #20 AWG stranded wire (1mm max. diameter). PC tail contacts are available in two lengths: 3.5 mm and 8.0 mm

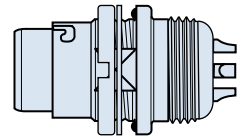


Receptacles feature non-removable solder cup contacts for up to #20 AWG wire or printed circuit board terminals. Contacts are plated with hard gold. Stainless steel connector body and jam nut. Shell is plated with black chromate finish. Silicone face seal and O-ring. Open face pressure rating 0.4 bar. 5000 cycles mating durability.

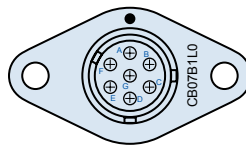
**Style 1**



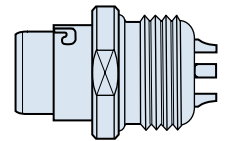
**Style 2**



**Style 3**



**Style 4**



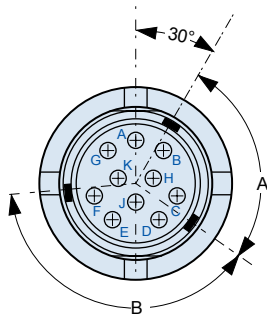
**1** Jam nut receptacle for rear panel mounting (3.0 mm maximum panel thickness). Supplied with stainless steel jam nut and flat washer. O-ring provides watertight panel seal. 11 grams maximum weight.

**2** Jam nut receptacle with M14X1 accessory threads for rear panel mounting (3.5 mm max. panel thickness). Supplied with stainless steel jam nut and flat washer. O-ring provides watertight panel seal. 19 grams maximum weight.

**3** Two hole flange mount receptacle for front panel mounting. Mounting holes accept M3 screws, not supplied. Use with optional gasket or O-ring for watertight panel sealing. 19 grams maximum weight.

**4** "Thread-in" receptacle with PG9 threads for installation directly into a tapped hole. Supplied with O-ring. 19 grams maximum weight.

## 10 Pin Receptacle Connector Mating Face and Key Positions

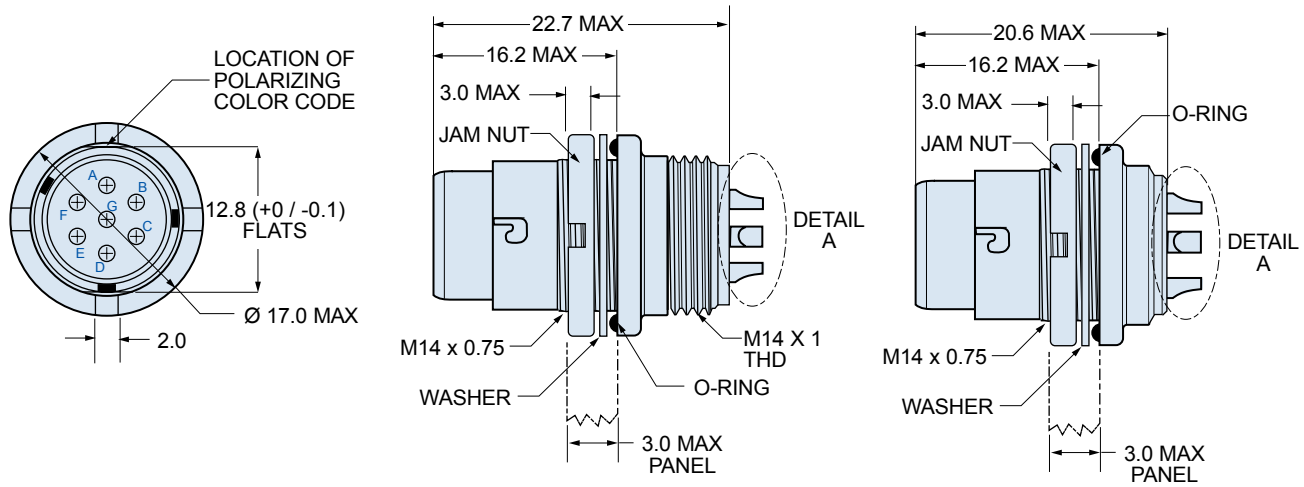


Position	A	B	Color Code
N	95°	140°	White
W	85°	115°	Blue
X	100°	105°	Violet
Y	110°	120°	Chrome Yellow
Z	80°	145°	Dark Red

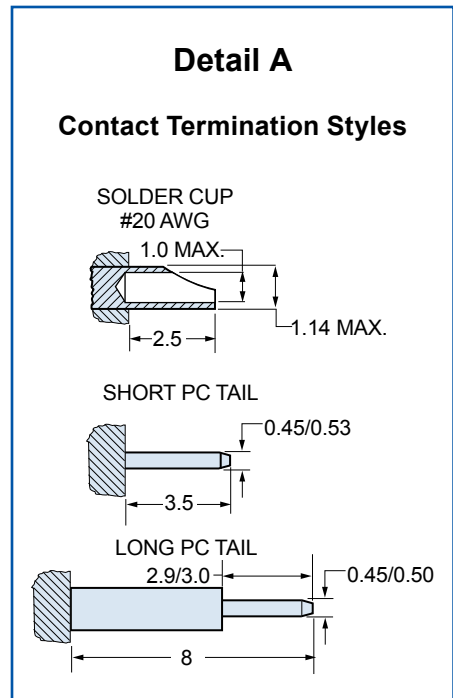
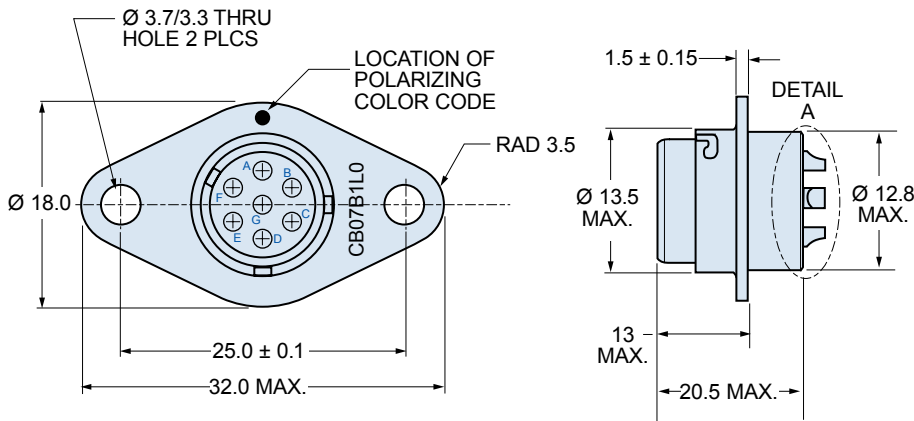
## 10 Pin Panel Mount Receptacle

Mounting Style	Fig.	Contact Type	Polarizing Position N (White)	Polarizing Position W (Blue)	Polarizing Position X (Violet)	Polarizing Position Y (Chrome Yellow)	Polarizing Position Z (Dark Red)
Jam Nut	Fig. 1	Solder Cup	CB10C1L0	CB10C2L0	CB10C3L0	CB10C4L0	CB10C5L0
Jam Nut	Fig. 1	Short PC Tail	CB10C1L1	CB10C2L1	CB10C3L1	CB10C4L1	CB10C5L1
Jam Nut	Fig. 1	Long PC Tail	CB10C1L2	CB10C2L2	CB10C3L2	CB10C4L2	CB10C5L2
Jam Nut / Thd.	Fig. 2	Solder Cup	CB10T1L0	CB10T2L0	CB10T3L0	CB10T4L0	CB10T5L0
Jam Nut / Thd.	Fig. 2	Short PC Tail	CB10T1L1	CB10T2L1	CB10T3L1	CB10T4L1	CB10T5L1
Jam Nut / Thd.	Fig. 2	Long PC Tail	CB10T1L2	CB10T2L2	CB10T3L2	CB10T4L2	CB10T5L2
Flange	Fig. 3	Solder Cup	CB10B1L0	CB10B2L0	CB10B3L0	CB10B4L0	CB10B5L0
Flange	Fig. 3	Short PC Tail	CB10B1L1	CB10B2L1	CB10B3L1	CB10B4L1	CB10B5L1
Flange	Fig. 3	Long PC Tail	CB10B1L2	CB10B2L2	CB10B3L2	CB10B4L2	CB10B5L2
Thread-In	Fig. 4	Solder Cup	CB10Q1L0	CB10Q2L0	CB10Q3L0	CB10Q4L0	CB10Q5L0
Thread-In	Fig. 4	Short PC Tail	CB10Q1L1	CB10Q2L1	CB10Q3L1	CB10Q4L1	CB10Q5L1
Thread-In	Fig. 4	Long PC Tail	CB10Q1L2	CB10Q2L2	CB10Q3L2	CB10Q4L2	CB10Q5L2

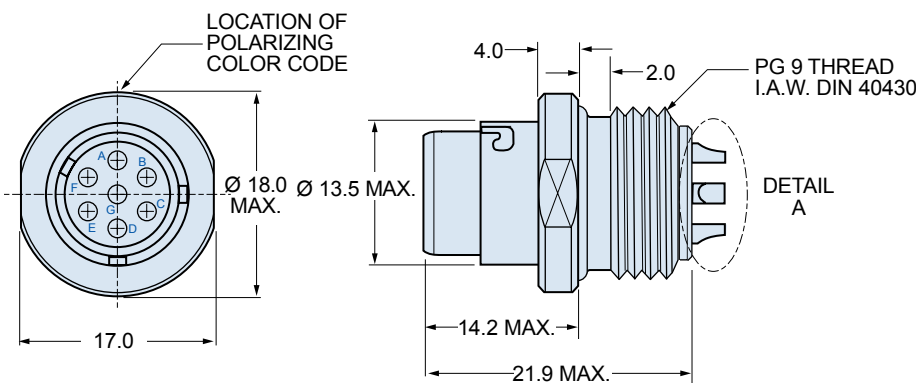
**Jam Nut Receptacle Dimensions**



**Flange Mount Receptacle Dimensions**



**Thread-In Mount Receptacle Dimensions**

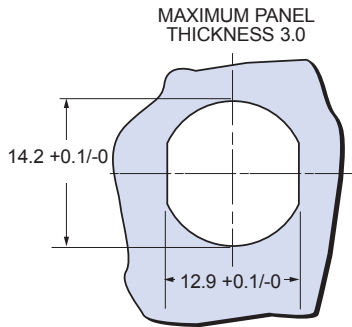


All dimensions in millimeters (mm). Information subject to change without notice.

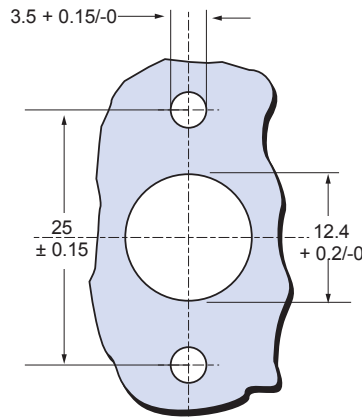
CAGE Code 06324

Printed in U.S.A.

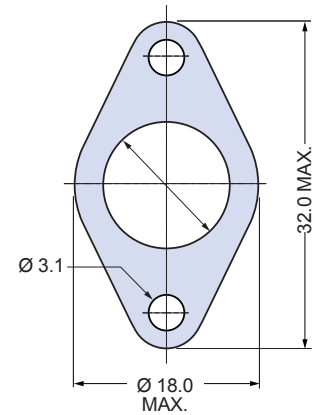
## Receptacle Connector Panel Cutouts



**1** Panel cutout for jam nut receptacle for rear panel mounting.

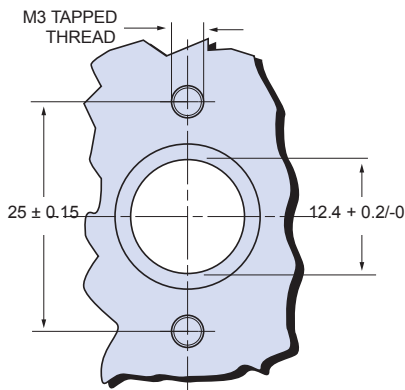


**2** Panel cutout for elliptical flange mount receptacle. For front panel mounting.

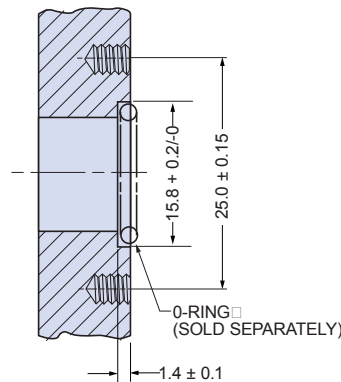


**3** Nitrile panel gasket for elliptical flange mount receptacle. Ordered separately.

Description	Part Number
Gasket	<b>CBGK-B</b>



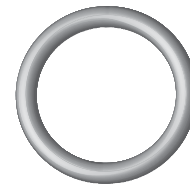
**4a** Face view of panel cutout for elliptical flange receptacle with tapped holes.



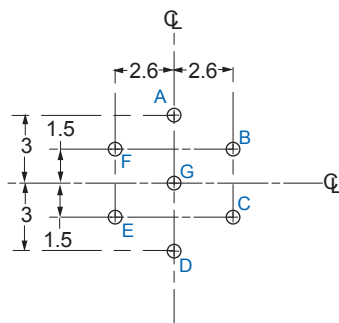
**4a** Side view of panel cutout for elliptical flange receptacle with tapped holes.

**5** O-ring for use with cutout #4. Purchased separately.

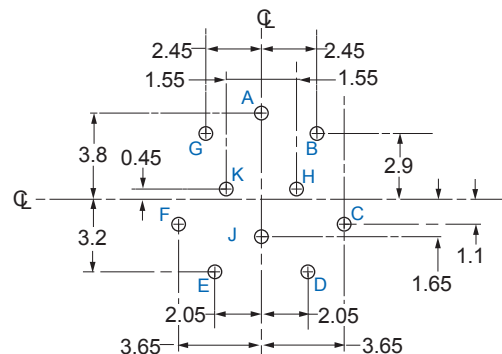
Description	Part Number
O-Ring	<b>CBOR-B</b>



## Receptacle Connector Printed Circuit Board Patterns



**1** PCB mounting pattern for receptacles with 7 contacts.



**2** PCB mounting pattern for receptacles with 10 contacts.