

**PLEASE CHECK WWW.MOLEX.COM FOR LATEST PART INFORMATION**

**Part Number:** [0876930201](#)  
**Status:** **Active**  
**Description:** 1.27mm (.050") Pitch DDR DIMM Socket, Vertical, Press-fit, 2.5V Voltage Keys (Left), 4.30mm (.169") Tail Length, 0.38µm (15µ") Gold (Au) Selective Plating, Black Latches, 184 Circuits, Leadfree

**Documents:**

[3D Model](#) [Product Specification PS-87693-002 \(PDF\)](#)  
[Drawing \(PDF\)](#) [RoHS Certificate of Compliance \(PDF\)](#)

**General**

Product Family	Memory Module Sockets
Series	<a href="#">87693</a>
Comments	Latches in Black Color
Component Type	Socket
JEDEC Outline	MO-206
Product Name	DDR DIMM

**Physical**

Circuits (Loaded)	184
Color - Resin	Black
Durability (mating cycles max)	25
Entry Angle	Vertical (Top Entry)
Keying to Mating Part	Yes
Material - Metal	Phosphor Bronze
Material - Plating Mating	Gold
Material - Plating Termination	Tin
Material - Resin	High Temperature Thermoplastic, Polysulfone
PC Tail Length (in)	0.169 In
PC Tail Length (mm)	4.30 mm
PCB Retention	None
PCB Thickness Recommended (in)	0.180 In
PCB Thickness Recommended (mm)	4.60 mm
Packaging Type	Tray
Pitch - Mating Interface (in)	0.050 In
Pitch - Mating Interface (mm)	1.27 mm
Plating min: Mating (µin)	15
Plating min: Mating (µm)	0.38
Plating min: Termination (µin)	15
Plating min: Termination (µm)	0.38
Temperature Range - Operating	-10°C to +85°C
Termination Interface: Style	Through Hole - Compliant Pin

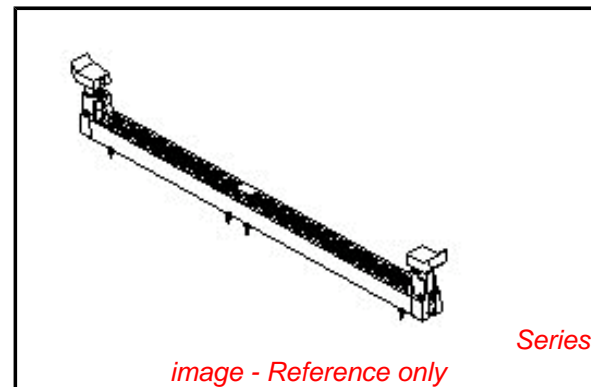
**Electrical**

Current - Maximum per Contact	1A
Voltage - Maximum	50V
Voltage Key	2.5V, Left

**Material Info**

**Reference - Drawing Numbers**

Product Specification	PS-87693-002
Sales Drawing	SD-87693-202



*image - Reference only*

**EU RoHS**

**ELV and RoHS  
Compliant**  
**REACH SVHC**  
 Not Reviewed  
**Halogen-Free  
Status**

**China RoHS**



**Not Reviewed**

**Need more information on product  
environmental compliance?**

Email [productcompliance@molex.com](mailto:productcompliance@molex.com)  
 For a multiple part number RoHS Certificate of Compliance, [click here](#)

Please visit the [Contact Us](#) section for any non-product compliance questions.

**Search Parts in this Series**

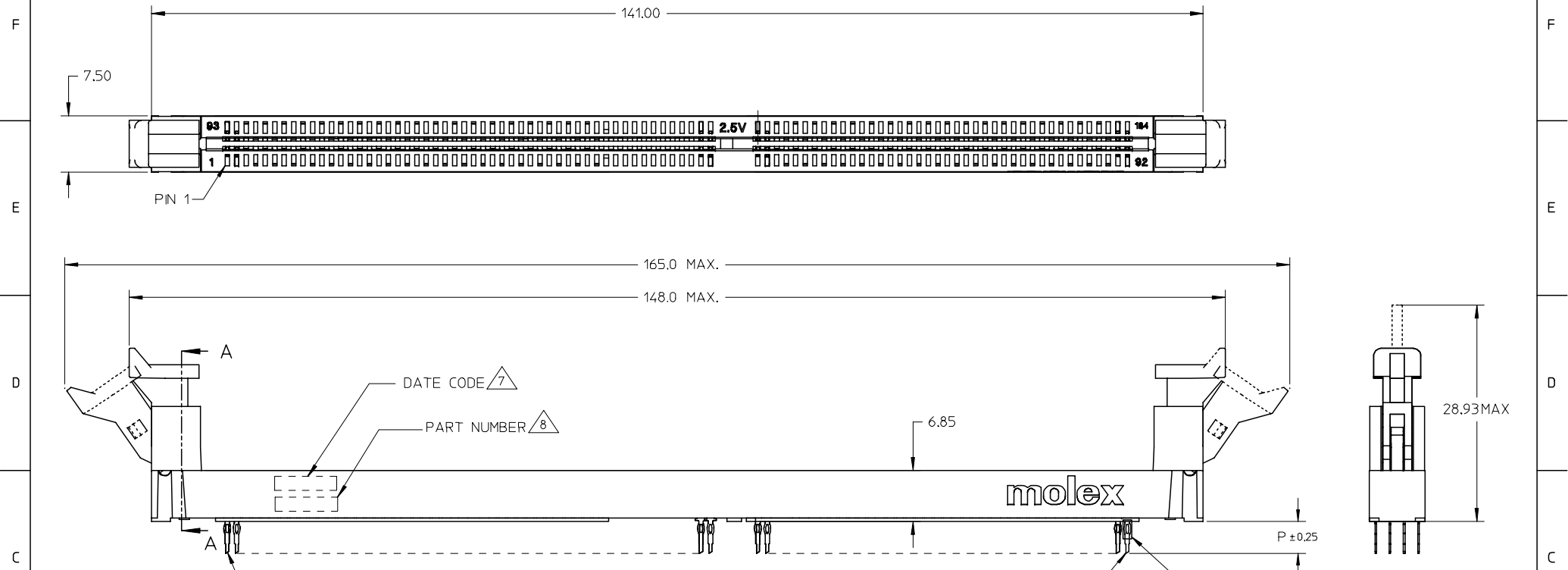
[87693Series](#)

**Mates With**

JEDEC standard 1.27mm modules

**PLEASE CHECK [WWW.MOLEX.COM](http://WWW.MOLEX.COM) FOR LATEST PART INFORMATION**

10 9 8 7 6 5 4 3 2 1

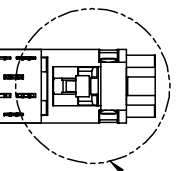
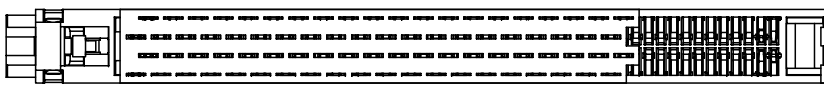


- NOTES:
- CARD SLOT ACCEPTS 1.27±0.10 MODULE THICKNESS. (MEASURED OVER P.C.PADS)
  - RECOMMENDED MODULE LAYOUT SHALL BE PER SHEET 3.
  - RECOMMENDED PLATING ON MODULE PADS: 30u"/0.76uM MINIMUM HARD GOLD OVER 79u"/2uM MINIMUM NICKEL.
  - MATERIAL: HOUSING & LATCH - HIGH TEMP. NYLON, GLASS FILLED, UL 94V-0  
HOUSING COLOUR:  
NATURAL (OFF WHITE) OR BLACK PER SHEET 5  
LATCH COLOR:  
CLEAR OR BLACK PER SHEET 5  
TERMINAL - COPPER ALLOY
  - FINISHES: CONTACT AREA: SEE TABLE PER SHEET 5  
TAIL AREA: 0.38um(15u") TO 1.52um(60u") TIN/LEAD OR TIN OVER 1.27um(50u") MIN. NICKEL
  - PRODUCT IS PACKAGED IN TRAY.  
DATE CODE SHALL BE MARKED LEGIBLY AS YYDD.  
PART NUMBER SHALL BE MARKED LEGIBLY AS : 87693-XXXX.

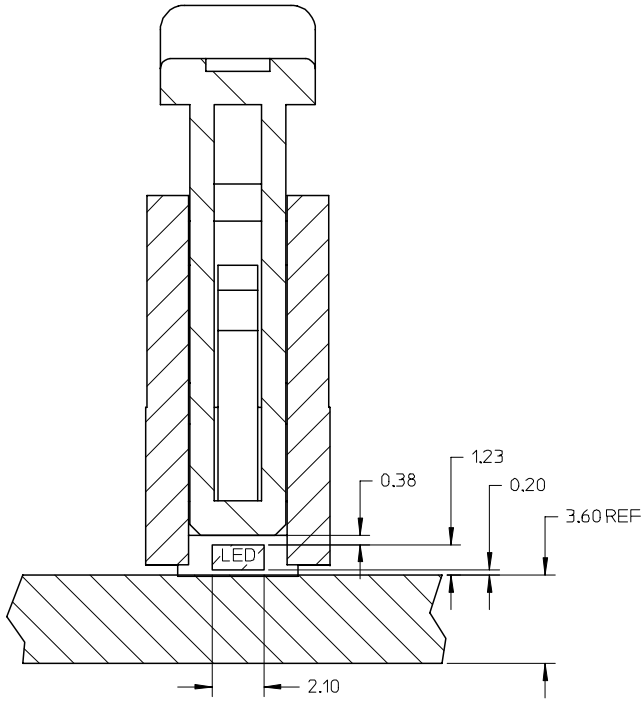
VOID P/N EC NO: S2007-0215 DRWN:SKANG 2006/09/11 CHKD:MLONG 2006/09/13 APPR:SKTOH 2006/09/18	DESCRIPTION	QUALITY SYMBOLS	GENERAL TOLERANCES (UNLESS SPECIFIED)		DIMENSION STYLE MM ONLY		SCALE	DESIGN UNITS	THIRD ANGLE PROJECTION	
		▽=0 ∇=0	mm	INCH	DRAWN BY	DATE	NTS	METRIC	TITLE	
			4 PLACES ± ---	± ---	VSKHOANG	2004/02/10			DDR DIMM, 1.27MM PITCH 184 CKTS, LIGHTPIPE VERTICAL PRESS-FIT	
			3 PLACES ± ---	± ---	CHECKED BY	DATE			MOLEX INCORPORATED	
		2 PLACES ± 0.20	± ---	PTL IM	2004/02/10					
		1 PLACE ± ---	± ---	APPROVED BY	DATE					
		ANGULAR ± 3 °		SKTOH	2004/02/10					
		DRAFT WHERE APPLICABLE MUST REMAIN WITHIN DIMENSIONS		MATERIAL NO.		DOCUMENT NO.		SHEET NO.		
				SEE TABLE		SD-87693-202		1 OF 5		
		THIS DRAWING CONTAINS INFORMATION THAT IS PROPRIETARY TO MOLEX INCORPORATED AND SHOULD NOT BE USED WITHOUT WRITTEN PERMISSION								

9 8 7 6 5 4 3 2 1

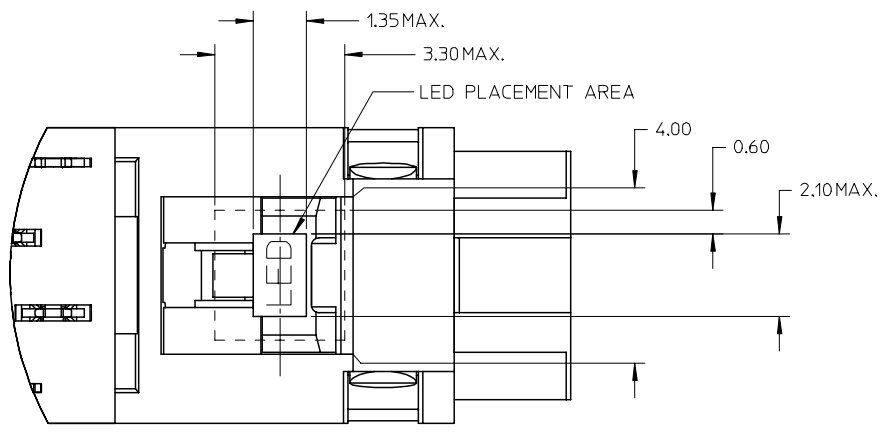
10 9 8 7 6 5 4 3 2 1



Detail2



SECTION A-A



Detail2

VOID P/N EC NO: S2007-0215 DRWN:SKANG CHKD:MLONG APPR:SKTOH	DESCRIPTION 2006/09/11 2006/09/13 2006/09/18	QUALITY SYMBOLS	GENERAL TOLERANCES (UNLESS SPECIFIED)		DIMENSION STYLE MM ONLY		SCALE NTS	DESIGN UNITS METRIC	THIRD ANGLE PROJECTION		
		$\nabla=0$ $\nabla C=0$	4 PLACES	± ---	± ---	DRAWN BY VSKHOANG	DATE 2004/02/10	TITLE	DDR DIMM, 1.27MM PITCH 184 CKTS, LIGHTPIPE VERTICAL PRESS-FIT		
			3 PLACES	± ---	± ---	CHECKED BY PTL IM	DATE 2004/02/10				
			2 PLACES	± 0.20	± ---	APPROVED BY SKTOH	DATE 2004/02/10	MOLEX INCORPORATED	DOCUMENT NO. SD-87693-202	SHEET NO. 2 OF 5	
	1 PLACE	± ---	± ---	DRAFT WHERE APPLICABLE MUST REMAIN WITHIN DIMENSIONS		SEE TABLE					

9 8 7 6 5 4 3 2 1

10 9 8 7 6 5 4 3 2 1

F

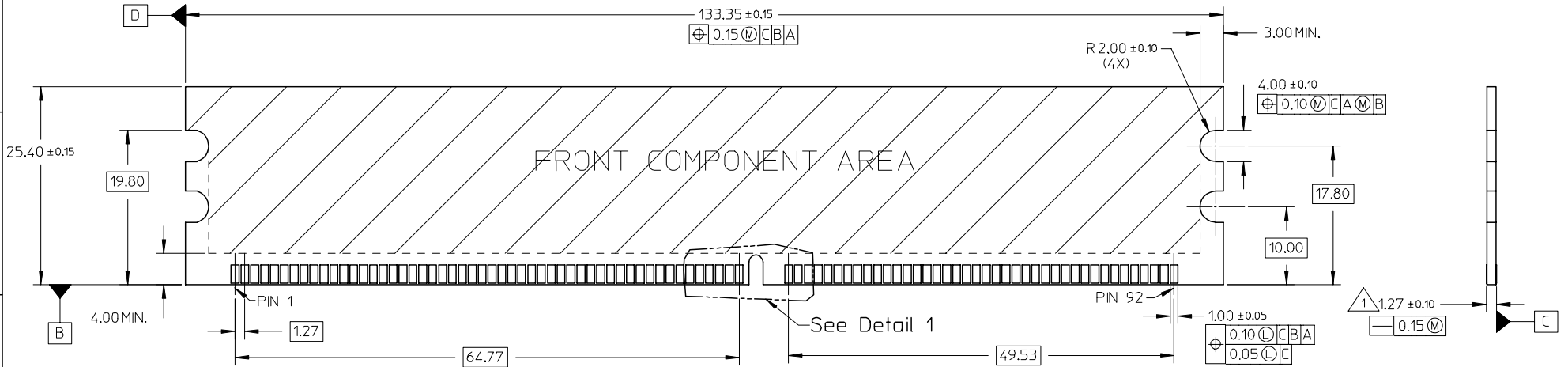
F

NOTES:

- 1 CARD THICKNESS APPLIES ACROSS THE CONTACTS AND INCLUDES PLATING AND/OR METALIZATION. STRAIGHTNESS CALLOUT APPLIES TO ZONE DEFINED BY THE 4.00 CONTACT AREA DIMENSION FOR THE ENTIRE LENGTH OF 133.35.

E

E

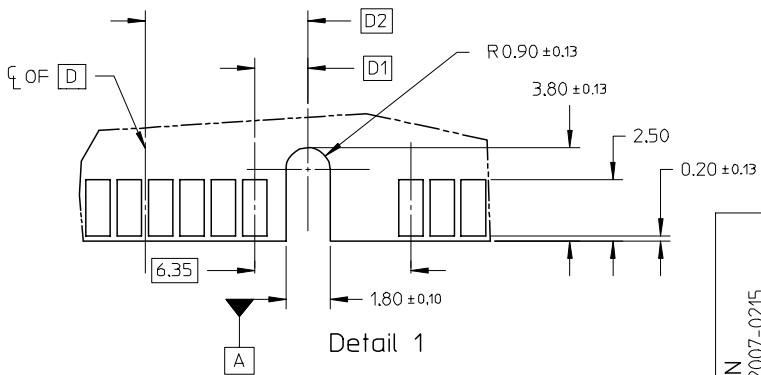


C

C

B

B

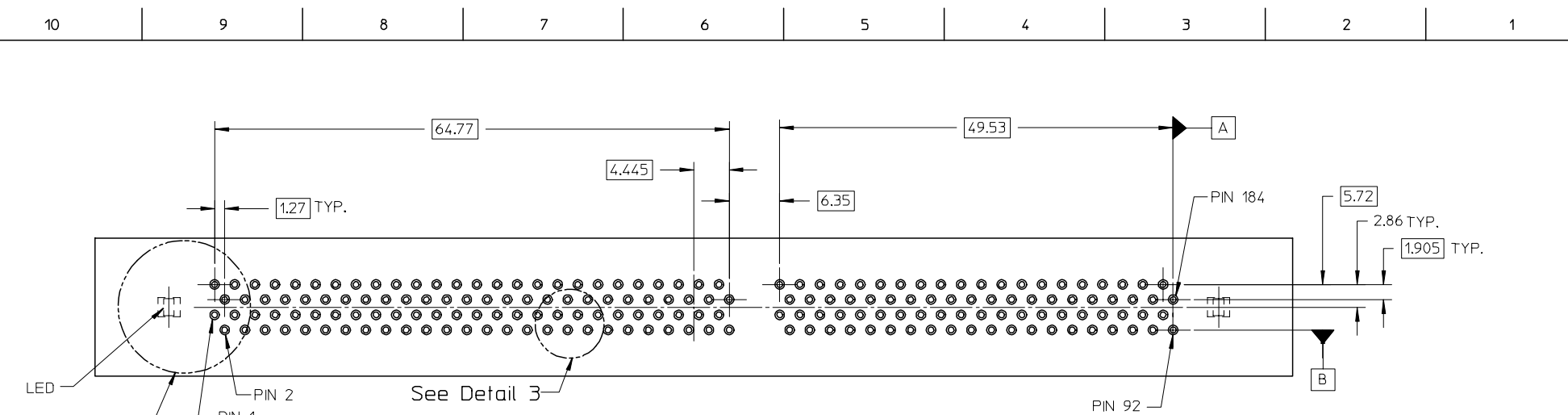


A

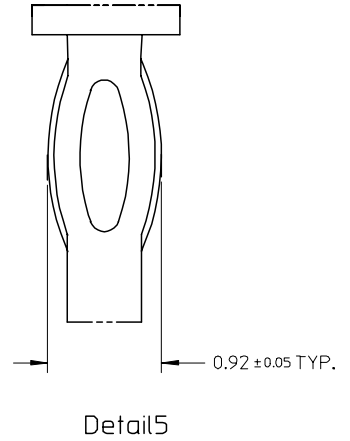
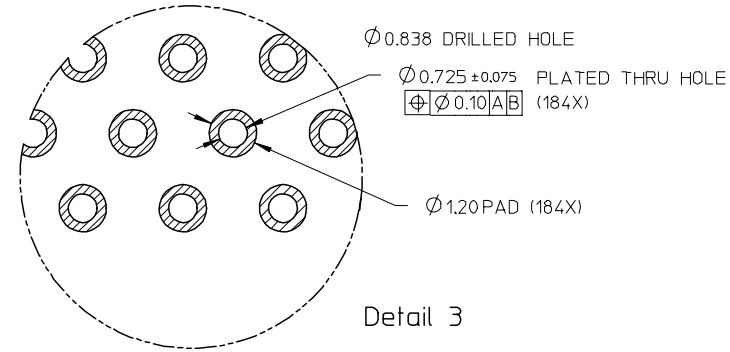
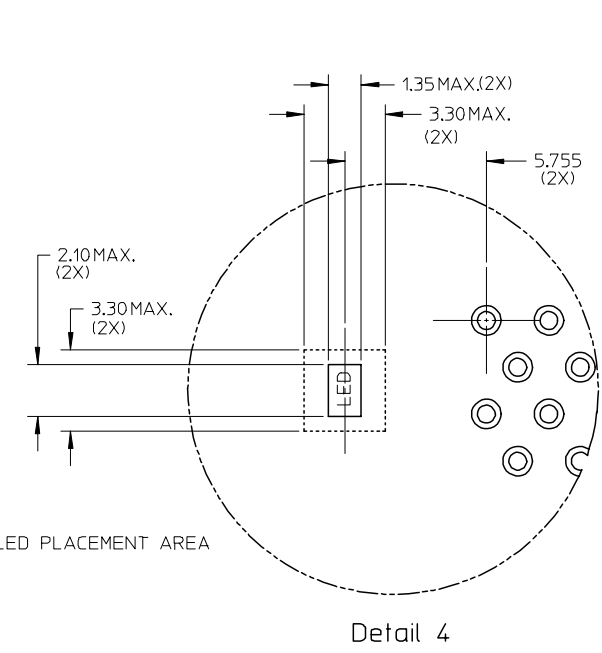
A

VOID P/N EC NO: S2007-0215 DRWN:SKANG 2006/09/11 CHKD:MLONG 2006/09/13 APPR:SKTOH 2006/09/18	QUALITY SYMBOLS ▽=0 ▽=0	GENERAL TOLERANCES (UNLESS SPECIFIED) mm INCH 4 PLACES ± --- ± --- 3 PLACES ± --- ± --- 2 PLACES ± 0.20 ± --- 1 PLACE ± --- ± --- ANGULAR ± 3 °	DIMENSION STYLE MM ONLY DRAWN BY VSKHOANG DATE 2004/02/10 CHECKED BY PTL IM DATE 2004/02/10 APPROVED BY SKTOH DATE 2004/02/10	SCALE NTS DESIGN UNITS METRIC THIRD ANGLE PROJECTION	TITLE DDR DIMM, 1.27MM PITCH 184 CKTS, LIGHTPIPE VERTICAL PRESS-FIT
	DRAFT WHERE APPLICABLE MUST REMAIN WITHIN DIMENSIONS	MATERIAL NO. SEE TABLE	DOCUMENT NO. SD-87693-202	SHEET NO. 3 OF 5	
	SIZE A3	THIS DRAWING CONTAINS INFORMATION THAT IS PROPRIETARY TO MOLEX INCORPORATED AND SHOULD NOT BE USED WITHOUT WRITTEN PERMISSION			
	MOLEX INCORPORATED				

9 8 7 6 5 4 3 2 1



RECOMMENDED P.CBOARD HOLE PATTERN  
(SEE RECOMMENDED THICKNESS IN TABLE)



VOID P/N EC NO: S2007-0215 DRWN:SKANG CHKD:MLONG APPR:SKTOH	DESCRIPTION 2006/09/11 2006/09/13 2006/09/18	QUALITY SYMBOLS	GENERAL TOLERANCES (UNLESS SPECIFIED)		DIMENSION STYLE MM ONLY		SCALE NTS	DESIGN UNITS METRIC	THIRD ANGLE PROJECTION		
		$\nabla=0$ $\nabla C=0$	mm	INCH	DRAWN BY VSKHOANG	DATE 2004/02/10	TITLE	DDR DIMM, 1.27MM PITCH			
			4 PLACES ± ---	± ---	CHECKED BY PTL IM	DATE 2004/02/10		184 CKTS, LIGHTPIPE			
			3 PLACES ± ---	± ---	APPROVED BY SKTOH	DATE 2004/02/10	MOLEX	MOLEX INCORPORATED			
		2 PLACES ± 0.20	± ---								
		1 PLACE ± ---	± ---								
		ANGULAR ± 3 °		MATERIAL NO.		DOCUMENT NO.		SHEET NO.			
		DRAFT WHERE APPLICABLE MUST REMAIN WITHIN DIMENSIONS		SEE TABLE		SD-87693-202		4 OF 5			
		THIS DRAWING CONTAINS INFORMATION THAT IS PROPRIETARY TO MOLEX INCORPORATED AND SHOULD NOT BE USED WITHOUT WRITTEN PERMISSION									

	10	9	8	7	6	5	4	3	2	1					
F		PLATING OPTION	PART NUMBER	TAIL LENGTH P±0.25	RECOMMENDED PCB THICKNESS	VOLTAGE KEY	DESCRIPTION	D1	D2	FINISHES CONTACT AREA	HOUSING COLOUR	LATCH			
E		TIN/LEAD	87693-4201	4.30	4.57	2.5 VOLT	LEFT	2.175	6.62	SELECTIVE GOLD 15u"/0.38uM MIN. GOLD OVER 50u"/1.27uM MIN. NICKEL	BLACK	BLACK			
	87693-4301		3.32	3.60											
	87693-4202		4.30	4.57	1.8 VOLT	CENTER	3.175	7.62							
	87693-4302		3.32	3.60											
	87693-4211		4.30	4.57	2.5 VOLT	LEFT	2.175	6.62	SELECTIVE GOLD 30u"/0.76uM MIN. GOLD OVER 50u"/1.27uM MIN. NICKEL	BLACK	CLEAR				
	87693-4311		3.32	3.60											
	87693-4212		4.30	4.57	1.8 VOLT	CENTER	3.175	7.62							
	87693-4312		3.32	3.60											
	87693-5201		4.30	4.57	2.5 VOLT	LEFT	2.175	6.62	SELECTIVE GOLD 15u"/0.38uM MIN. GOLD OVER 50u"/1.27uM MIN. NICKEL	BLACK	CLEAR				
	87693-5301		3.32	3.60											
	87693-5202		4.30	4.57	1.8 VOLT	CENTER	3.175	7.62							
	87693-5302		3.32	3.60											
	87693-5211		4.30	4.57	2.5 VOLT	LEFT	2.175	6.62	SELECTIVE GOLD 30u"/0.76uM MIN. GOLD OVER 50u"/1.27uM MIN. NICKEL	BLACK	CLEAR				
	87693-5311		3.32	3.60											
	87693-5212	4.30	4.57	1.8 VOLT	CENTER	3.175	7.62								
	87693-5312	3.32	3.60												
D		TIN	87693-6311	3.32	3.60	2.5 VOLT	LEFT	2.175	6.62	NATURAL					
			87693-0201	4.30	4.57	2.5 VOLT	LEFT	2.175	6.62	SELECTIVE GOLD 15u"/0.38uM MIN. GOLD OVER 50u"/1.27uM MIN. NICKEL	BLACK	BLACK			
			87693-0301	3.32	3.60										
			87693-0202	4.30	4.57	1.8 VOLT	CENTER	3.175	7.62						
			87693-0302	3.32	3.60										
			87693-0311	3.32	3.60	2.5 VOLT	LEFT	2.175	6.62	SELECTIVE GOLD 30u"/0.76uM MIN. GOLD OVER 50u"/1.27uM MIN. NICKEL	BLACK				
			87693-1201	4.30	4.57	2.5 VOLT	LEFT	2.175	6.62	SELECTIVE GOLD 15u"/0.38uM MIN. GOLD OVER 50u"/1.27uM MIN. NICKEL	BLACK	CLEAR			
			87693-1301	3.32	3.60										
			87693-1202	4.30	4.57	1.8 VOLT	CENTER	3.175	7.62						
			87693-1302	3.32	3.60										
			87693-1211	4.30	4.57	2.5 VOLT	LEFT	2.175	6.62	SELECTIVE GOLD 30u"/0.76uM MIN. GOLD OVER 50u"/1.27uM MIN. NICKEL	BLACK	CLEAR			
			87693-1311	3.32	3.60										
			87693-2311	3.32	3.60	2.5 VOLT	LEFT	2.175	6.62				NATURAL		

A	VOID P/N EC NO: S2007-0215 DRWNS:KANG 2006/09/11 CHKD:M LONG 2006/09/13 APPR:SKTOH 2006/09/18	REV	DESCRIPTION	QUALITY SYMBOLS ▽=0 ◻=0	GENERAL TOLERANCES (UNLESS SPECIFIED)		DIMENSION STYLE MM ONLY		SCALE	DESIGN UNITS	THIRD ANGLE PROJECTION				
									NTS	METRIC					
									DRAWN BY VSKHOANG		DATE 2004/02/10		TITLE DDR DIMM, 1.27MM PITCH 184 CKTS, LIGHTPIPE VERTICAL PRESS-FIT		
									CHECKED BY PTL IM		DATE 2004/02/10		MOLEX INCORPORATED		
				1 PLACE ± --- ± ---		APPROVED BY SKTOH		DATE 2004/02/10		DOCUMENT NO. SD-87693-202					
				ANGULAR ± 3 °		MATERIAL NO.		SHEET NO. 5 OF 5							
				DRAFT WHERE APPLICABLE MUST REMAIN WITHIN DIMENSIONS		SEE TABLE									
						SIZE A3		THIS DRAWING CONTAINS INFORMATION THAT IS PROPRIETARY TO MOLEX INCORPORATED AND SHOULD NOT BE USED WITHOUT WRITTEN PERMISSION							