

**PLEASE CHECK WWW.MOLEX.COM FOR LATEST PART INFORMATION**

**Part Number:** [0351960110](#)  
**Status:** **Active**  
**Description:** 6.35mm (.250") Tab MP-Lock™ Housing, Male, 1 Circuit

**Documents:**

<a href="#">3D Model</a>	<a href="#">Product Specification PS-35960-001 (PDF)</a>
<a href="#">Drawing (PDF)</a>	<a href="#">RoHS Certificate of Compliance (PDF)</a>
<a href="#">Product Specification PS-35196-003 (PDF)</a>	

**Agency Certification**

UL	E29179
----	--------

**General**

Product Family	Crimp Housings
Series	35196
Product Name	MP-Lock™

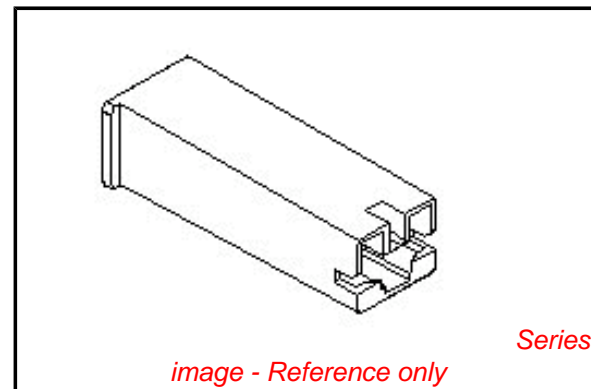
**Physical**

Circuits (maximum)	1
Color - Resin	Natural
Flammability	94V-2
Gender	Male
Glow-Wire Compliant	No
Material - Resin	Nylon
Number of Rows	1
Packaging Type	Bag
Panel Mount	No
Pitch - Mating Interface (in)	0.000 In
Pitch - Mating Interface (mm)	0.00 mm
Temperature Range - Operating	-40°C to +105°C

**Material Info**

**Reference - Drawing Numbers**

Product Specification	PS-35196-003, PS-35960-001
Sales Drawing	SD-35196-0110



*image - Reference only*

**EU RoHS**

**ELV and RoHS  
Compliant**  
**REACH SVHC  
Contains SVHC: No**  
**Halogen-Free  
Status**

**China RoHS**



**Need more information on product  
environmental compliance?**

Email [productcompliance@molex.com](mailto:productcompliance@molex.com)  
 For a multiple part number RoHS Certificate of  
 Compliance, [click here](#)

Please visit the [Contact Us](#) section for any  
 non-product compliance questions.

**Search Parts in this Series**

35196Series

**Use With**

35072-9\*02

DWG. NO.  
SD-35196-0110

SIMILAR ITEM

PROJECT NO.

B

DO NOT SCALE DRAWING  
DIMENSION IN METRIC

8 7 6 5 4 3 2 1

F

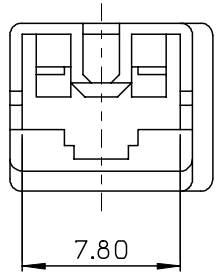
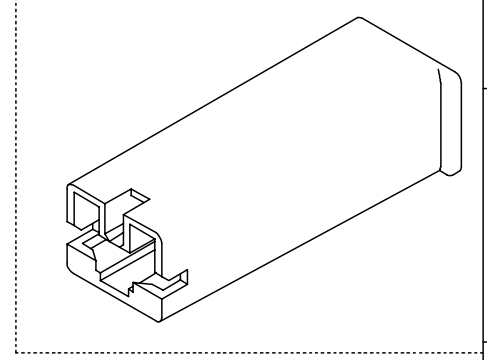
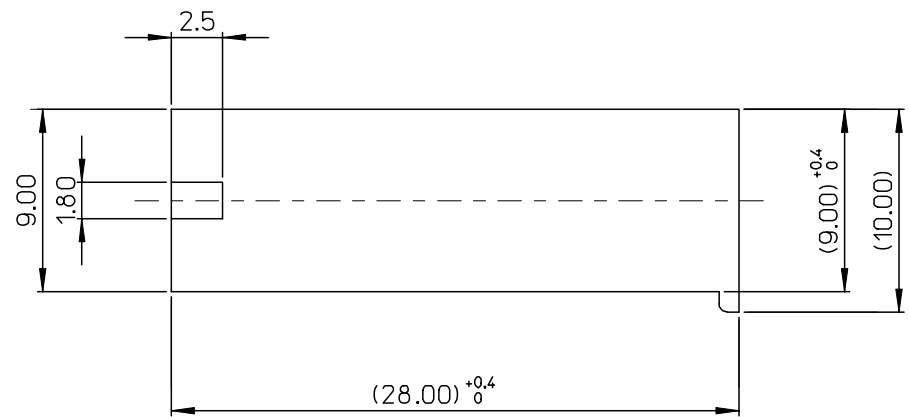
E

D

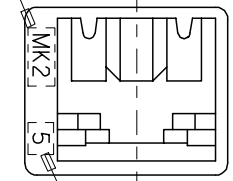
C

B

A



MK2(TRADE MARK)



NOTES

1. MATERIAL & PART NO.

NO.	MATERIAL NO.	PART NO.	MATERIAL
1	351960110	35196-0110	PA66,UL94V-2
2	351960111	35196-0111	PA66,UL94V-0

2. FINISH : NATURAL COLOR

3. APPLICABLE TERMINAL : 35072-9\*02

REVISED ECN NO. KOR2006-0058 DRWN: J.B.JIN 05/11/28 CHK: W.Y.YANG APPR: S.H.CHOI	QUALITY SYMBOLS MAJOR CRITICAL C	GENERAL TOLERANCES: (UNLESS SPECIFIED)		SCALE 4:1	DESIGN UNITS <input checked="" type="checkbox"/> mm <input type="checkbox"/> INCH	THIRD ANGLE PROJECTION	DIMENSIONS: <input type="checkbox"/> mm <input type="checkbox"/> INCH <input checked="" type="checkbox"/> mm ONLY	SHT REV
		4 PLACES ±0.     ±-	DRAWN BY & DATE W.Y.YANG 96/03/19	TITLE: .250 MP-LOCK HOUSING-1P			REVISE ON CAD ONLY	
		3 PLACES ±0.     ±-	CHECKED BY & DATE B.K.CHOI 96/03/19	MOLEX INCORPORATED			SHEET NO. 1 OF 1	
		2 PLACES ±0.30     ±-	APPROVED BY & DATE C.W.LEE 96/03/19	CAD FILENAME S1960110AA.MI	MATERIAL NO. SEE TABLE	DRAWING NO. SD-35196-0110	SIZE B	
1 PLACE ±0.30     ±-	ANGULAR: ± 1 °	DRAFT WHERE APPLICABLE MUST REMAIN WITHIN DIMENSIONS			THIS DRAWING CONTAINS INFORMATION THAT IS PROPRIETARY TO MOLEX INCORPORATED AND SHOULD NOT BE USED WITHOUT WRITTEN PERMISSION.			

8 7 6 5 4 3 2 1 KOREA MX-A3