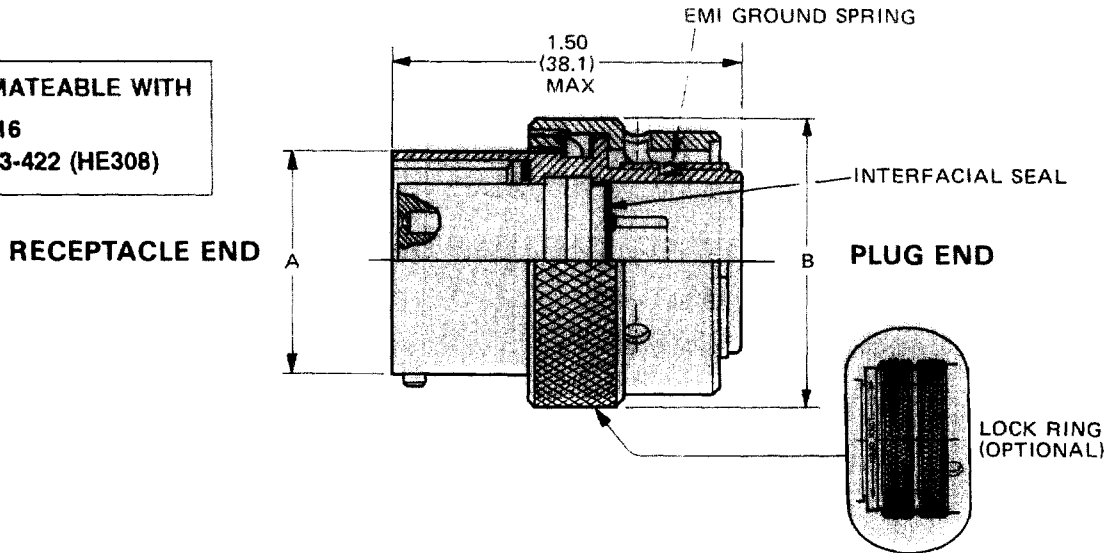
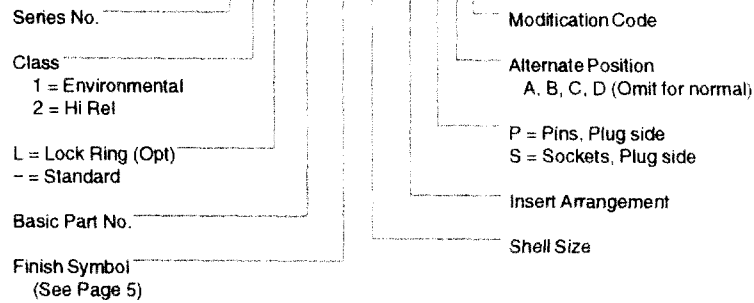


INTERMATEABLE WITH
PATT 616
NFC C93-422 (HE308)



941 L 003 M 17-35 P A *



*Add Modification Code 131 for dry lubricant on inside surfaces of coupling nut.

SHELL SIZE	A MAX	B MAX
09	.573 (14.6)	.859 (21.8)
11	.701 (17.8)	.984 (25.0)
13	.851 (21.6)	1.158 (29.4)
15	.976 (24.8)	1.281 (32.5)
17	1.101 (28.0)	1.406 (35.7)
19	1.208 (30.7)	1.516 (38.5)
21	1.333 (33.9)	1.641 (41.7)
23	1.458 (37.0)	1.766 (44.9)
25	1.583 (40.2)	1.891 (48.0)

Metric dimensions (mm) are indicated in parentheses

MIL-C-38999 Series I



INSERT ARRANGEMENTS

SHELL SIZE REF	INSERT ARRANGEMENT DASH NO.	CONTACT SIZE: QUANTITY				N ^o	ALTERNATE KEYWAY POSITIONS			
		22	20	16	12		A ^o	B ^o	C ^o	D ^o
9	9-3		3							
	9-35	6				77	-	-	113	
	9-44	4								
	9-98		3							
11	11-2			2						
	11-4		4							
	11-5		5							
	11-6		6							
	11-35	13				81	67	123	109	
	11-98		6							
13	13-4			4						
	13-8		8							
	13-35	22				75	63	127	115	
	13-98		10							
15	15-5			5						
	15-16		14	1						
	15-18		18							
	15-19		19			74	61	129	116	
	15-35	37								
17	15-97		8	4						
	17-6				6					
	17-8			8						
	17-26		26			77	85	125	113	
19	17-35	55								
	17-99		21	2						
	19-11			11						
	19-28		26	2						
	19-30		29	1		95				
	19-32		32							
21	19-35	66				77	65	125	113	
	19-45	67								
	21-35	79								
	21-11			11						
	21-16			16						
	21-24		24							
	21-25		25			77	65	125	113	
23	21-27		27							
	21-39		37	2						
	21-41		41							
	23-35	100								
	23-2	85								
	23-21			21						
	23-32		32							
	23-34		34			80	69	121	110	
	23-36		36							
	23-53		53							
25	23-55		20							
	23-97			16						
	23-99			11						
	25-2	100								
	25-4		48	8						
	25-19				19					
	25-24			12	12					
25-29		29			80	69	121	110		
25	25-35	128								
	25-43		23	20						
	25-61		61							

