

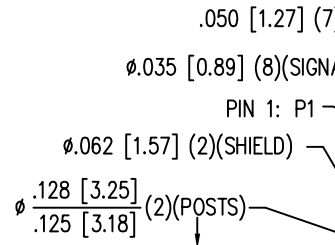
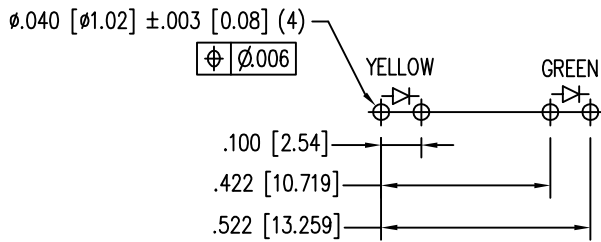
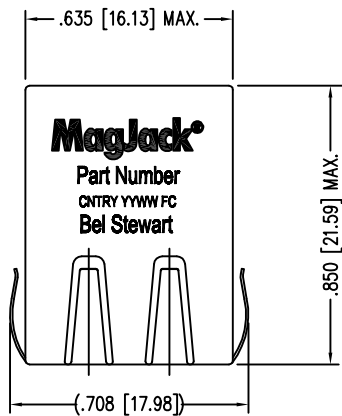
ELECTRICAL SPECIFICATIONS:

- | | | |
|-------------------------------|------------------------------|--|
| 1.0 TURNS RATIO: | (P6-P5-P4) : (J6-J3) | : 1CT : 1 ± 3% |
| | (P3-P2-P1) : (J2-J1) | : 1CT : 1 ± 3% |
| 2.0 INDUCTANCE: | (P6-P4) | : 350uH MIN. @ 0.1V, 100KHZ, 8mA DC Bias |
| | (P3-P1) | : 350uH MIN. @ 0.1V, 100KHZ, 8mA DC Bias |
| 3.0 LEAKAGE INDUCTANCE: | P6-P4 (WITH J6 AND J3 SHORT) | : 0.3 MAX. @ 1MHZ |
| | P3-P1 (WITH J2 AND J1 SHORT) | : 0.3 MAX. @ 1MHZ |
| 4.0 INTERWINDING CAPACITANCE: | (P6,P5,P4) TO (J6,J3) | : 30pf MAX @ 1MHZ |
| | (P3,P2,P1) TO (J2,J1) | : 30pf MAX. @ 1MHZ |
| 5.0 DC RESISTANCE: | (J1-J2) | : 1.2 ohms Max. |
| | (P6-P4) | : 1.2 ohms Max. |

NOTE
1.0 P
CONN

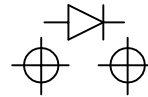
Bel Stewart C
11118 Susquehanna
Glen Rock, Pa 1732
717.234.7512

THIS DRAWING AND THE SUBJECT MATTER SHOWN THEREON ARE CONFIDENTIAL AND PROPERTY OF BEL STEWART CONNECTOR AND SHALL NOT BE REPRODUCED, COPIED, OR USED IN ANY MANNER WITHOUT PRIOR WRITTEN CONTENT OF BEL STEWART CONNECTOR. THE SUBJECT MATTER MAY BE PATENTED OR A PATENT MAY BE PENDING.

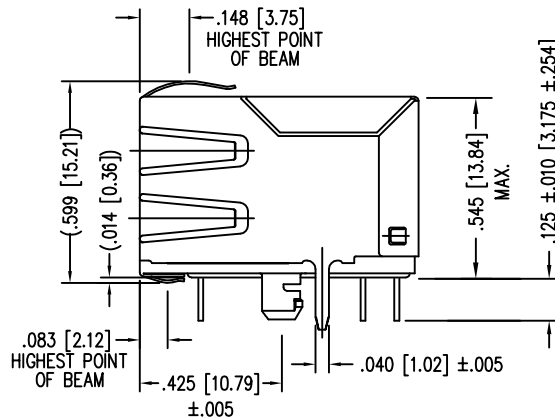
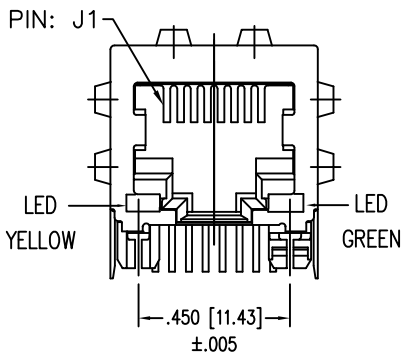


DETAIL "B"
TYPICAL LED HOLE LAYOUT

LED POLARITY
(ENLARGED VIEW)



SINGLE COLOR LED



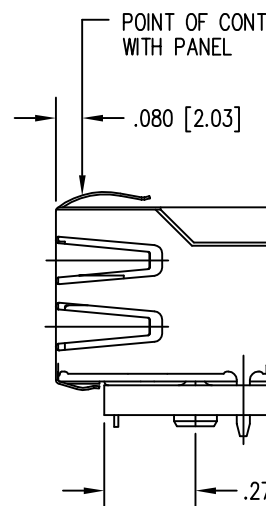
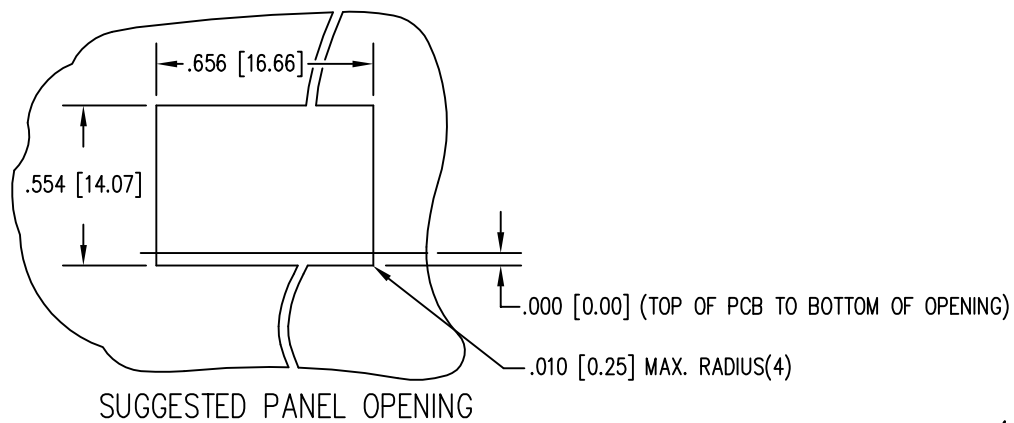
NOTES:

1. CONNECTOR MATERIAL: HOUSING: THERMO; CONTACT/SHIELD: SHIELD PLATING: CONTACT PLATING:
2. PIN NOT ELECTRICAL. SEE ELECTRICAL DRAWING.
3. TOLERANCES COMPLIANT WITH ASME Y14.5.
4. ALL TOLERANCES UNLESS OTHERWISE SPECIFIED.
5. WAVE SOLDER COMPATIBLE.

LED SPECIFICATION			
STANDARD LED	WAVELENGTH	* Forward V (MAX)	(TYP)
GREEN	565 nm	2.5 V	2.1 V
YELLOW	590 nm	2.5 V	2.1 V

*WITH A FORWARD CURRENT OF 20 mA

Bel Stewart
11118 Susquehanna
Glen Rock, Pa 17320
717.234.7512



1. THE SUGGESTED PANEL OPENING IS TO GIVE THE USER THE ABILITY TO REMOVE THE JACK / CONNECTOR WITH REASONABLE JACK / CONNECTOR FORCE, YET MAINTAIN RELIABLE CONTACT CAPABILITY.
2. ALL TOLERANCES NOT OTHERWISE SPECIFIED TO BE ± 0.005 [0.13]