

**PLEASE CHECK WWW.MOLEX.COM FOR LATEST PART INFORMATION**

**Part Number:** **0493890392**  
**Status:** **Planned for Obsolescence**  
**Description:** 5.50mm (.216") Pitch Wire-to-Board Female Housing, 3 Circuits, UL94V-0, Red

**Documents:**

[Drawing \(PDF\)](#) [RoHS Certificate of Compliance \(PDF\)](#)  
[Product Specification PS-49388-001 \(PDF\)](#)

**General**

Product Family	Crimp Housings
Series	49389
Comments	Polarized to Mating Part
Product Name	N/A

**Physical**

Circuits (maximum)	3
Color - Resin	Natural
Gender	Female
Glow-Wire Compliant	No
Keying to Mating Part	None
Lock to Mating Part	Yes
Number of Rows	1
Packaging Type	Bag
Panel Mount	No
Pitch - Mating Interface (in)	0.217 In
Pitch - Mating Interface (mm)	5.50 mm
Pitch - Term. Interface (in)	0.217 In
Pitch - Term. Interface (mm)	5.50 mm
Polarized to Mating Part	Yes
Temperature Range - Operating	N/A

**Electrical**

Current - Maximum per Contact	12A, 15A, 7A
-------------------------------	--------------

**Material Info**

**Reference - Drawing Numbers**

Product Specification	PS-49388-001
Sales Drawing	SD-49389-001

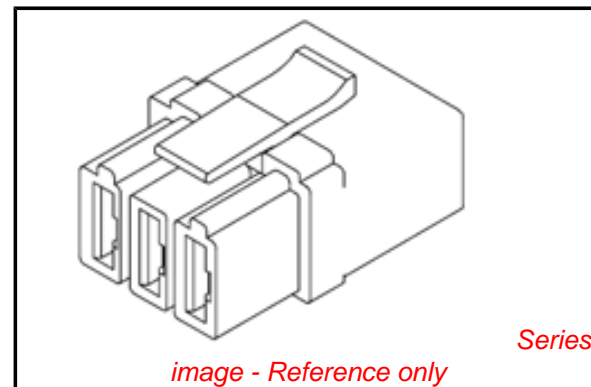


image - Reference only

**EU RoHS**

**ELV and RoHS Compliant**  
**REACH SVHC**  
 Not Reviewed  
**Halogen-Free Status**  
 Not Reviewed

**China RoHS**



**Need more information on product environmental compliance?**

Email [productcompliance@molex.com](mailto:productcompliance@molex.com)  
 For a multiple part number RoHS Certificate of Compliance, [click here](#)

Please visit the [Contact Us](#) section for any non-product compliance questions.

**Search Parts in this Series**

[49389Series](#)

**Mates With**

[493880310 Wire-to-Board Header](#)

**Use With**

[357253401 Slip-In Wire-to-Wire Terminal](#)

DWG. NO.  
SD-49389-001

SIMILAR ITEM

PROJECT NO.

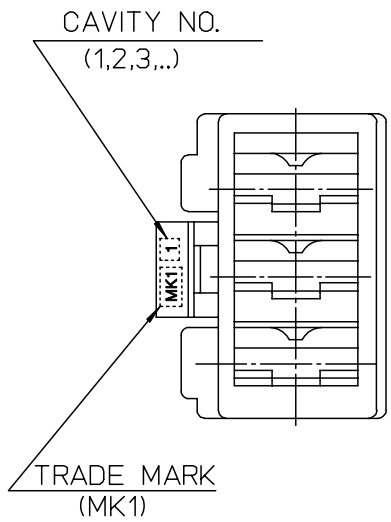
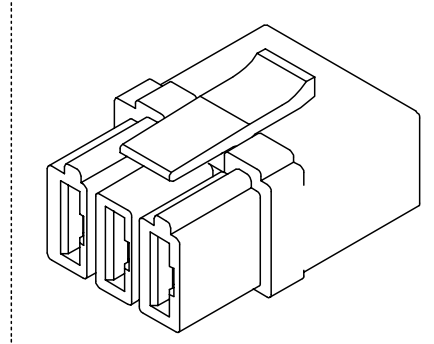
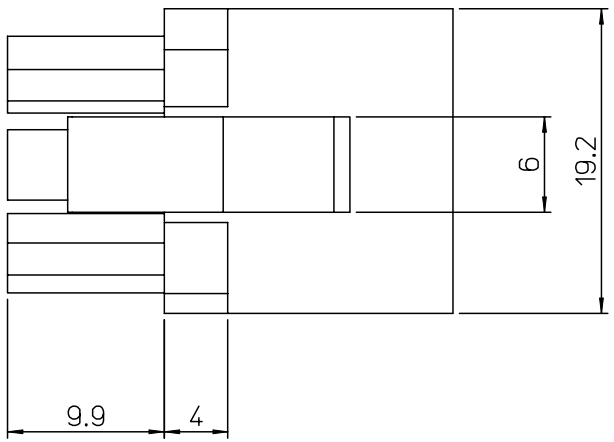
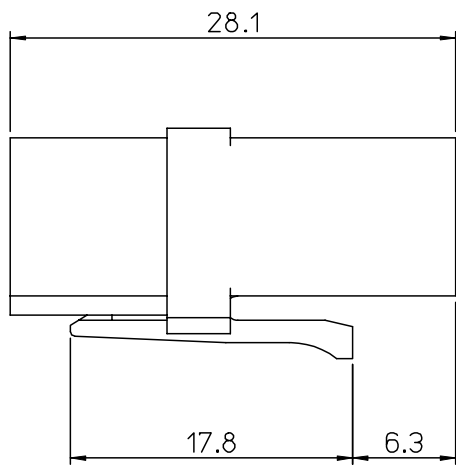
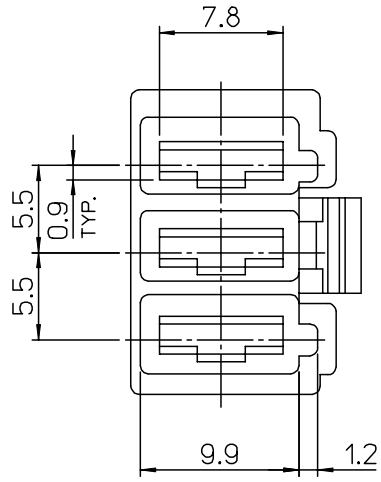
C

B

DO NOT SCALE DRAWING  
DIMENSION IN METRIC

NOTES

- 1. MATERIAL : PBT/PC (UL94V-0)
- 2. FINISH : NATURAL COLOR
- 3. APPLICABLE TERMINAL : 35725-3401
- 4. MATED HEADER : 49388-0310



NEW RELEASED ECN NO. KOR2007-0001 DRWN: J.B.JIN 06/07/18 CHK: W.Y.YANG APPR: S.H.CHOI	QUALITY SYMBOLS MAJOR = CRITICAL =	GENERAL TOLERANCES: (UNLESS SPECIFIED)		SCALE 4:1	DESIGN UNITS <input checked="" type="checkbox"/> mm <input type="checkbox"/> INCH	THIRD ANGLE PROJECTION 	DIMENSIONS: <input type="checkbox"/> mm <input type="checkbox"/> INCH <input checked="" type="checkbox"/> mm ONLY		SHT	REV	
		4 PLACES	±0.	±-	DRAWN BY & DATE J.B.JIN 06/01/04		TITLE: .250 W-1-B CONN. HOUSING-3P				
		3 PLACES	±0.	±-	CHECKED BY & DATE W.Y.YANG 06/01/04		MOLEX INCORPORATED				
		2 PLACES	±0.20	±-	APPROVED BY & DATE S.H.CHOI 06/01/04						
1 PLACE	±0.30	±-	ANGULAR: ± °		CAD FILENAME S493890390AAMI	MATERIAL NO. 493890390	DRAWING NO. SD-49389-001	SHEET NO. 1 OF 1			
A	REV	DRAFT WHERE APPLICABLE MUST REMAIN WITHIN DIMENSIONS				THIS DRAWING CONTAINS INFORMATION THAT IS PROPRIETARY TO MOLEX INCORPORATED AND SHOULD NOT BE USED WITHOUT WRITTEN PERMISSION.					SIZE B