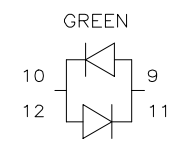
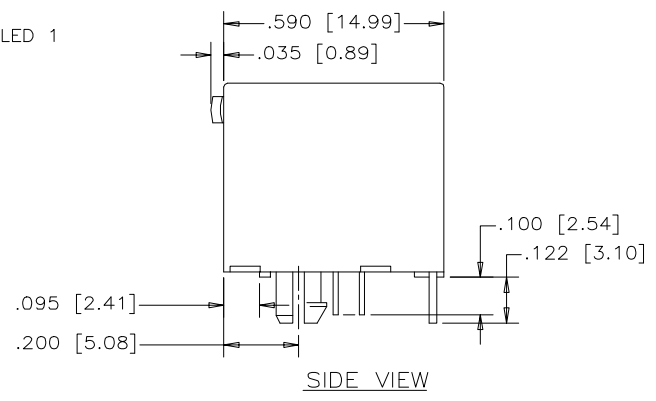
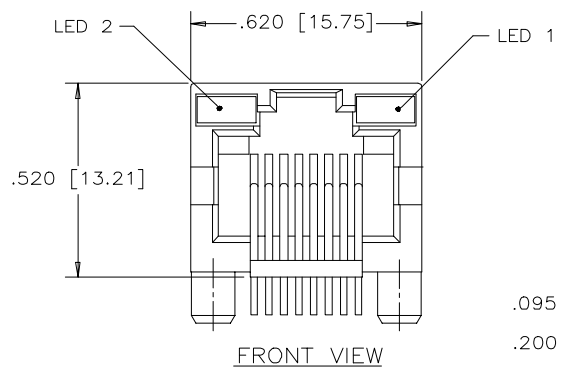
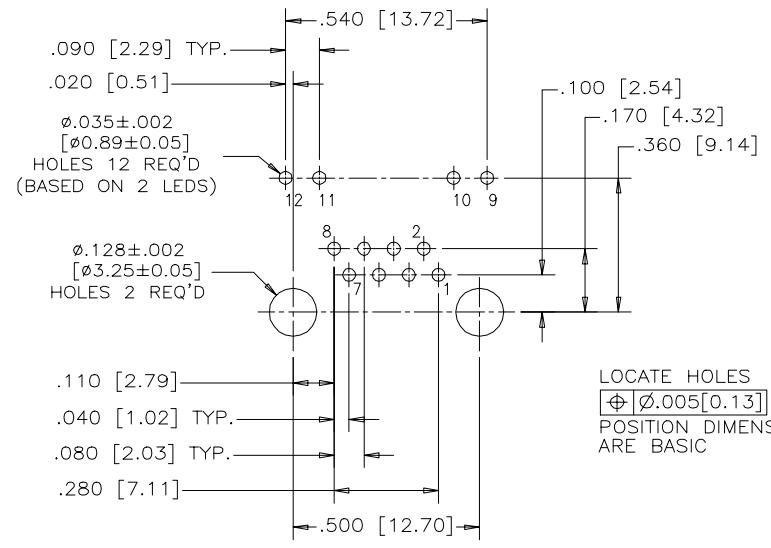


REVISIONS				
SYM	ZONE	ECN, ERN NO.	DATE	APPRD.
C		REVISED	01/07/09	

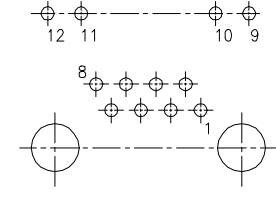
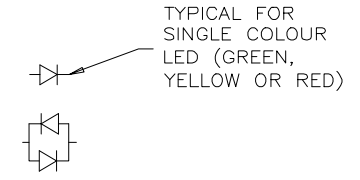
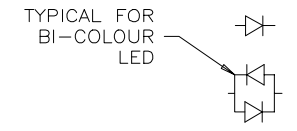
THIS IS A CAD DRAWING. DO NOT MANUALLY REVISE!



BI-COLOUR LED DETAIL
(YELLOW/GREEN, RED/YELLOW AND GREEN/ORANGE LED'S ARE ALSO AVAILABLE)



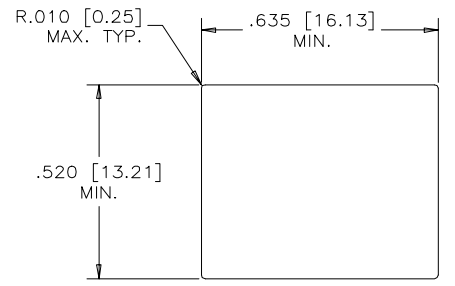
LOCATE HOLES
 $\phi \pm 0.005 [0.13]$
 POSITION DIMENSIONS ARE BASIC



LED SCHEMATIC

MATERIALS:

- HOUSING: ENGINEERING THERMOPLASTIC
FLAMMABILITY RATING UL 94V-0
- CONTACTS: PHOSPHOR BRONZE
- PLATING: 50 μ " [1.27 MICRONS] MIN. GOLD ON MATING SURFACES.
50 μ " [1.27 MICRONS] MIN. NICKEL UNDERPLATE
100 μ " [2.54 MICRONS] MIN. TIN/LEAD ON CONTACT TAILS.



RECOMMENDED PANEL CUTOUT

PART NUMBER: RJHS-508X

REFER TO LED OPTIONS DRAWING FOR ORDERING CODES

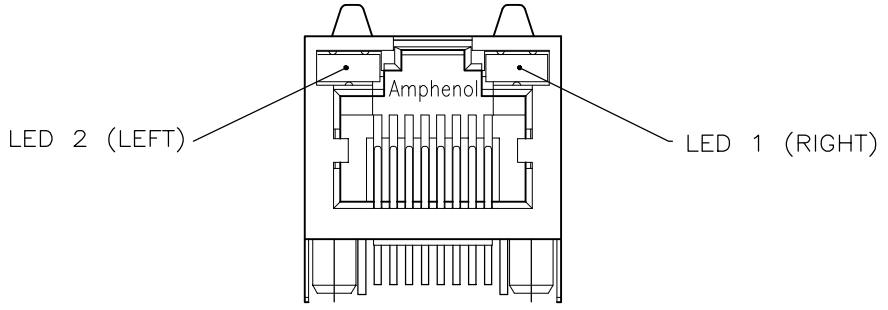
DRAWN	A.KARIR	DATE	99/12/06
DESIGNED			
CHECKED	R.PIKE	DATE	99/12/06
I. E. APPRD.			
Q. A. APPRD.			
DWG. APPRD.			
ENG. REL. NO.			
REF.			
DIMENSIONS ARE IN	CODE ID. NO.		
INCHES [mm]	03554		

Amphenol Canada Corp.			
TITLE SINGLE-PORT HIGH SPEED RJ45 MODULAR JACK, WITH LEDS, 8 POS. 8 CONTACTS, NO SHIELD			
DWG	DRAWING NO.	REV.	
	P-RJHS-508X	C	
SCALE:	WT. -----	SURF. -----	SHEET 1 OF 1

THIS DOCUMENT CONTAINS PROPRIETARY INFORMATION AND SUCH INFORMATION MAY NOT BE DISCLOSED TO OTHERS FOR ANY PURPOSE OR USED FOR MANUFACTURING PURPOSES WITHOUT WRITTEN PERMISSION FROM AMPHENOL CANADA CORP.

REVISIONS				
SYM	ZONE	ECN, ERN NO.	DATE	APPRD.
E		ADD LED OPTIONS	02/08/02	

THIS IS A CAD DRAWING. DO NOT MANUALLY REVISE.



LED SPECIFICATIONS:
 FORWARD VOLTAGE: 2.1 VOLTS TYP.
 REVERSE VOLTAGE: 5.0 VOLTS MIN.
 LUMINOUS INTENSITY: 0.5 mCd MIN.
 (AT If=2mA)
 STORAGE TEMPERATURE: -20° TO 85° C
 LEAD SOLDERING TEMPERATURE: 260° C
 (5 SEC, 1/16" FROM CASE)
 PLATING ON TAILS: TIN-LEAD (90-10) ALLOY

EXAMPLE:
 PART NUMBER RJHS-538X

TYPICAL FOR SINGLE &
 MULTI-PORT

+ — (ANODE) — — (CATHODE)

LED COLOR CODE

CODE	LED 2 (LEFT)	LED 1 (RIGHT)	CODE	LED 2 (LEFT)	LED 1 (RIGHT)	CODE	LED 2 (LEFT)	LED 1 (RIGHT)
0	BLOCKED	BLOCKED	9	GREEN	BLOCKED	J	BiC RD/GR	YELLOW
1	YELLOW	GREEN	A	BiC GR/YE	BiC GR/YE	K	YELLOW	BiC GR/OR
2	BLOCKED	GREEN	B	BiC RD/GR	BiC RD/GR	L	BiC GR/YE	RED
3	YELLOW	BLOCKED	C	BiC RD/GR	BiC GR/YE	M	RED	YELLOW
4	GREEN	YELLOW	D	GREEN	BiC GR/YE	N	BiC RD/GR	BiC GR/YE
5	GREEN	GREEN	E	YELLOW	BiC GR/YE	P	GREEN	BiC RD/GR
6	YELLOW	YELLOW	F	BiC GR/YE	YELLOW	R	BiC GR/OR	GREEN
7	RED	GREEN	G	BiC GR/OR	BiC GR/OR	T	RED	RED
8	GREEN	RED	H	BiC GR/YE	GREEN	V	BiC RD/GR	GREEN
			W	ADDITIONAL OPTIONS				

PRIMARY COLOR FOR BI-COLOR
 LEDS IN STANDARD ANODE/
 CATHODE CONFIGURATION IS:
 RED-GREEN= RED
 RED-YELLOW= RED
 GREEN-YELLOW= GREEN
 GREEN-ORANGE= GREEN

LEGEND
 BiC=BI-COLOR LED
 LOWC=LOW CURRENT LED
 YE=YELLOW
 GR=GREEN
 RD=RED
 OR=ORANGE

NOTE:
 THE TWO DIGITS PRECEDING THE
 ADDITIONAL LED CODE MUST BE
 USED IN THE PART NUMBER, WHEN
 ORDERING ANY OF THE ADDITIONAL
 LED OPTIONS.

EXAMPLE OF ADDITIONAL LED OPTIONS:

PART NUMBER RJHS-538W-01Y

↑ ADDITIONAL LED COLOR CODE
 ↑ DENOTES ADDITIONAL LED OPTIONS

CODE	LED 2 (LEFT)	LED 1 (RIGHT)	CODE	LED 2 (LEFT)	LED 1 (RIGHT)	CODE	LED 2 (LEFT)	LED 1 (RIGHT)
0	SEE STANDARD DESIGNATION		5	BLOCKED	YELLOW	A	LOWC YE	LOWC YE
1	RED	BLOCKED	6	RED	BiC RD/GR	B	LOWC YE	LOWC GR
2	BiC GR/OR	YELLOW	7	BLOCKED	BiC RD/GR	C	LOWC GR	LOWC YE
3	YELLOW	RED	8	BiC RD/GR	BLOCKED	D	LOWC GR	LOWC GR
4	BLOCKED	RED	9	BiC GR/YE	BLOCKED	M	LOWC RD	LOWC YE

THIS DOCUMENT CONTAINS PROPRIETARY INFORMATION AND SUCH INFORMATION
 MAY NOT BE DISCLOSED TO OTHERS FOR ANY PURPOSE OR USED FOR MANUFACTURING
 PURPOSES WITHOUT WRITTEN PERMISSION FROM AMPHENOL CANADA CORP.

DRAWN B. YOUNGSON	DATE 99/09/21
DESIGNED	
CHECKED A. KARIR	DATE 99/10/25
I. E. APPRD.	
Q. A. APPRD.	
DWG. APPRD.	
ENG. REL. NO.	
REF.	
DIMENSIONS ARE IN INCHES [mm]	CODE ID. NO. 03554

Amphenol Canada Corp.			
TITLE			
LED OPTIONS FOR RJHS, SINGLE OR MULTI-PORT CONNECTORS			
DWG	DRAWING NO.	REV.	
	P-RJHS-LEDS	E	
SCALE	WT. -----	SURF. -----	SHEET 1 OF 1