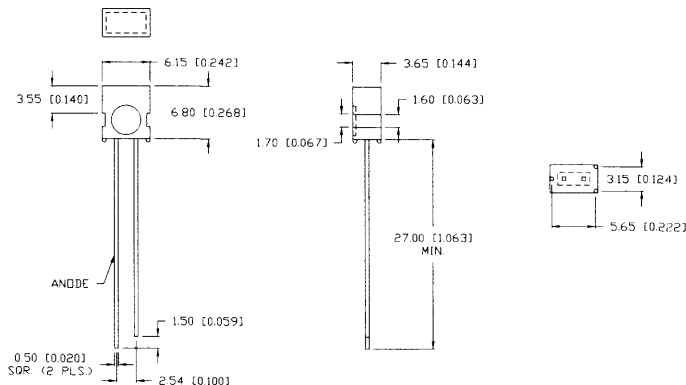


SSL-LX4673xD-LA20 Series

4x6mm Abutable



FEATURES / OPTIONS

- State-of-the-Art, High Brightness Chip Technology
- Choice of Colors and Lens Finishes
- Lead Frame / Epoxy Lens Casting Reliability
- Easy-to-Solder Leads, Tin Finish
- Available Bulk or on Tape and Reel
- Lead Trimming and Forming Available
- Custom Shapes/Easily Tooled/Low Minimum
- Blinking LED
- With Internal Resistor for 5V and 12V Operation

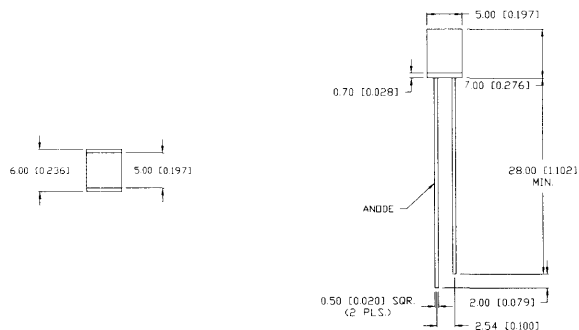
APPLICATIONS / USES

- Board or Panel Indication or Illumination
- Backlighting of Overlays and Graphics
- Annunciator and Control Panels
- Keyboards and Switches
- Telecom Switches and Central Station Equipment
- Signs, Warning Lights, Displays

Lumex Part Number	Dice Material	Emitted Color	Peak (nm)	Epoxy Lens	Operating Current (mA)	Operating TYP. Vf (V)	Brightness		View Angle° 2x THETA
							TYP. mcd	@ mA	
HIGH BRIGHTNESS									
SSL-LX4673SID-LA20	AllnGaP	Super High Intensity Red	636	Red Diffused	5-25	2.0	100	20	100
SSL-LX4673SOD-LA20	AllnGaP	Super Orange	610	Orange Diffused	5-25	2.0	100	20	100
SSL-LX4673SPGD-LA20	AllnGaP	Super Pure Green	562	Green Diffused	5-25	2.2	50	20	100
SSL-LX4673SYD-LA20	AllnGaP	Super Yellow	590	Yellow Diffused	5-25	2.0	100	20	100
SSL-LX4673USBD-LA20	InGaN/SiC	Ultra Super Blue	470	Blue Diffused	5-25	3.5	60	20	100
STANDARD BRIGHTNESS									
SSL-LX4673AD-LA20	GaAsP	Amber	610	Amber Diffused	5-25	2.0	20	20	100
SSL-LX4673GD-LA20	GaP	Green	565	Green Diffused	5-25	2.1	6	20	100
SSL-LX4673ID-LA20	GaAsP	High Intensity Red	635	Red Diffused	5-25	2.0	12	20	100
SSL-LX4673OD-LA20	GaP	High Efficiency Red	695	Red Diffused	5-25	2.0	12	20	100
SSL-LX4673SRD-LA20	GaAlAs	Super Red	660	Red Diffused	5-25	1.7	60	20	100
SSL-LX4673YD-LA20	GaAsP	Yellow	585	Yellow Diffused	5-25	2.1	6	20	100

SSL-LX5573 Series

5x5mm Square



FEATURES / OPTIONS

- State-of-the-Art, High Brightness Chip Technology
- Choice of Colors and Lens Finishes
- Lead Frame / Epoxy Lens Casting Reliability
- Easy-to-Solder Leads, Tin Finish
- Available Bulk or on Tape and Reel
- Lead Trimming and Forming Available
- Custom Shapes/Easily Tooled/Low Minimum
- Blinking LED
- With Internal Resistor for 5V and 12V Operation

APPLICATIONS / USES

- Board or Panel Indication or Illumination
- Backlighting of Overlays and Graphics
- Annunciator and Control Panels
- Keyboards and Switches
- Telecom Switches and Central Station Equipment
- Signs, Warning Lights, Displays

Lumex Part Number	Dice Material	Emitted Color	Peak (nm)	Epoxy Lens	Operating Current (mA)	Operating TYP. Vf (V)	Brightness		View Angle° 2x THETA
							TYP. mcd	@ mA	
HIGH BRIGHTNESS									
SSL-LX5573SID	AllnGaP	Super High Intensity Red	636	Red Diffused	5-25	2.0	60	20	110
SSL-LX5573SOD	AllnGaP	Super Orange	610	Orange Diffused	5-25	2.0	60	20	110
SSL-LX5573SPGD	AllnGaP	Super Pure Green	562	Green Diffused	5-25	2.2	50	20	110
SSL-LX5573SYD	AllnGaP	Super Yellow	590	Yellow Diffused	5-25	2.0	30	20	110
SSL-LX5573USBD	InGaN/SiC	Ultra Super Blue	470	Blue Diffused	5-25	3.5	50	20	110
STANDARD BRIGHTNESS									
SSL-LX5573AD	GaAsP	Amber	610	Amber Diffused	5-25	2.1	10	20	110
SSL-LX5573GD	GaP	Green	565	Green Diffused	5-25	2.1	10	20	110
SSL-LX5573HD	GaP	High Efficiency Red	700	Red Diffused	5-25	2.1	8	20	110
SSL-LX5573ID	GaAsP	High Intensity Red	635	Red Diffused	5-25	2.1	10	20	110
SSL-LX5573OD	GaAsP	Orange	630	Orange Diffused	5-25	2.0	15	20	110
SSL-LX5573SRD	GaAlAs	Super Red	660	Red Diffused	5-25	1.7	20	20	110
SSL-LX5573YD	GaAsP	Yellow	585	Yellow Diffused	5-25	2.1	5	20	110