

**STEWART  
CONNECTOR  
SYSTEMS, INC.**

**FOR REFERENCE  
ONLY**

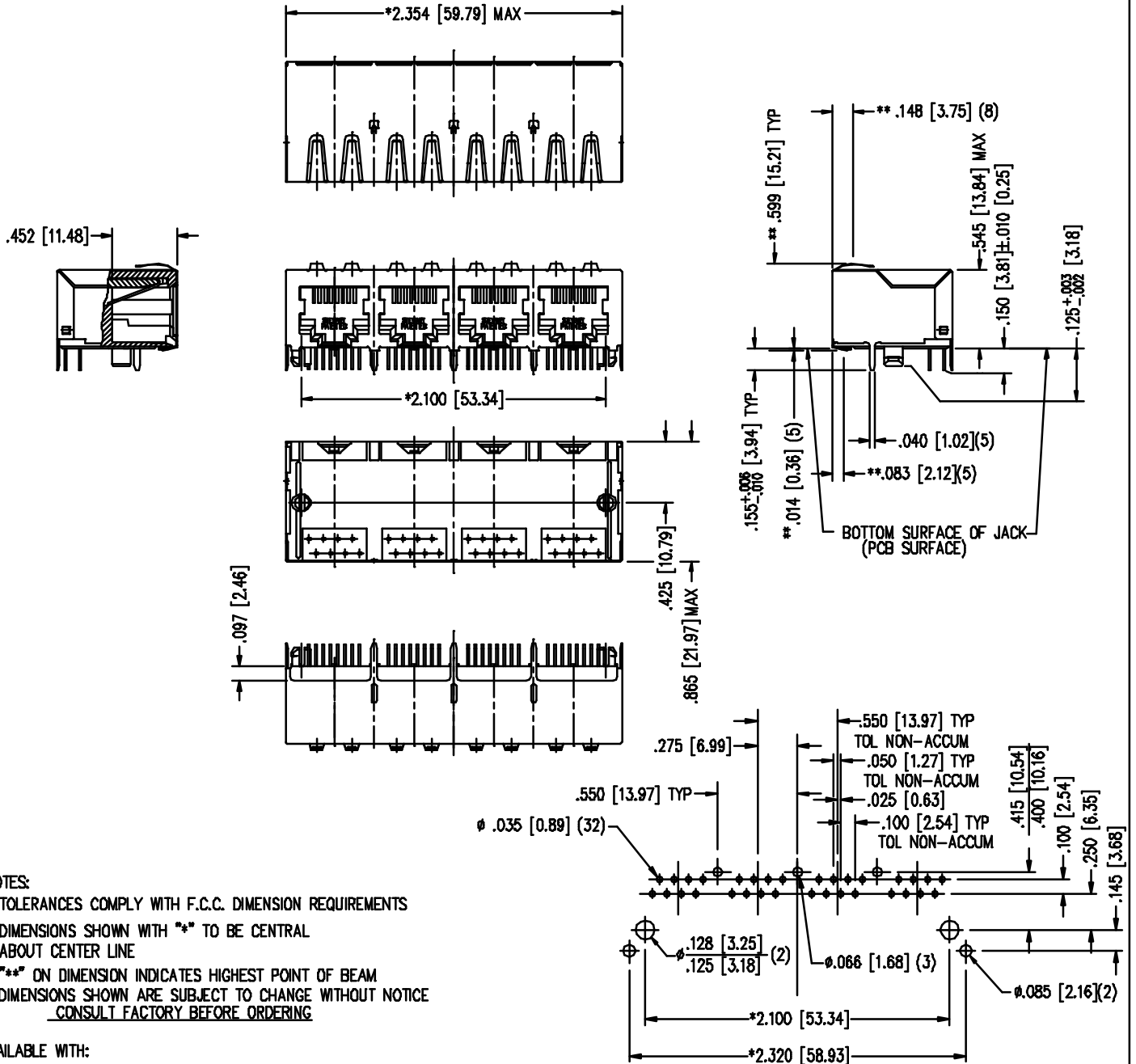
R.D. 2, BOX 2020 GLEN ROCK, PENNSYLVANIA 17327

PART NO. SS-668804S-A-PG1-AC-A368  
EMI-RFI ONE PIECE SHIELDED, ESD GROUNDED  
4 PORT PCB HARMONICA JACK PAC

\*-PG1\* DESIGNATES NO SIDE PANEL GROUNDS.

\*-AC\* DESIGNATES INCLUSION OF ALL TOP AND BOTTOM PANEL  
GROUNDS, WITH ALL REAR AND SIDE SOLDER TAILS PRESENT.

\*-A368\* DESIGNATES SPLIT PCB MOUNTING POSTS AND .150 LONG CONTACT SOLDER TAILS.



**NOTES:**

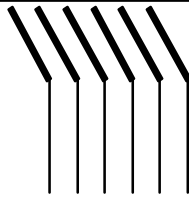
- TOLERANCES COMPLY WITH F.C.C. DIMENSION REQUIREMENTS
- DIMENSIONS SHOWN WITH "\*" TO BE CENTRAL ABOUT CENTER LINE
- "\*\*\*" ON DIMENSION INDICATES HIGHEST POINT OF BEAM
- DIMENSIONS SHOWN ARE SUBJECT TO CHANGE WITHOUT NOTICE  
CONSULT FACTORY BEFORE ORDERING

**AVAILABLE WITH:**

- 30 & 50 MICRO-INCH SELECTIVE GOLD PLATING
- LOADED 1 - 8 CONTACTS

CT660140X1

P.C.B. RECOMMENDED HOLE LAYOUT  
SEEN FROM COMPONENT SIDE  
TOLERANCE  $\pm .003 [0.08]$  UNLESS OTHERWISE SPECIFIED

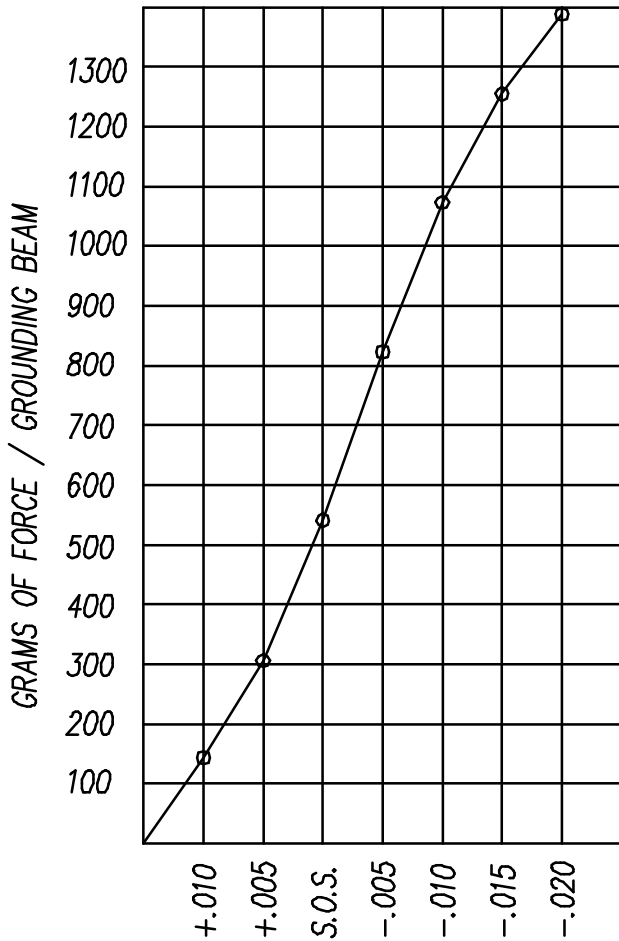


**STEWART  
CONNECTOR  
SYSTEMS, INC.**

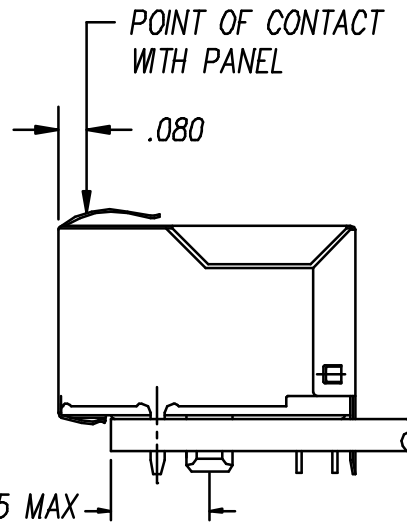
**FOR REFERENCE  
ONLY**

R.D. 2, BOX 2020 GLEN ROCK, PENNSYLVANIA 17327

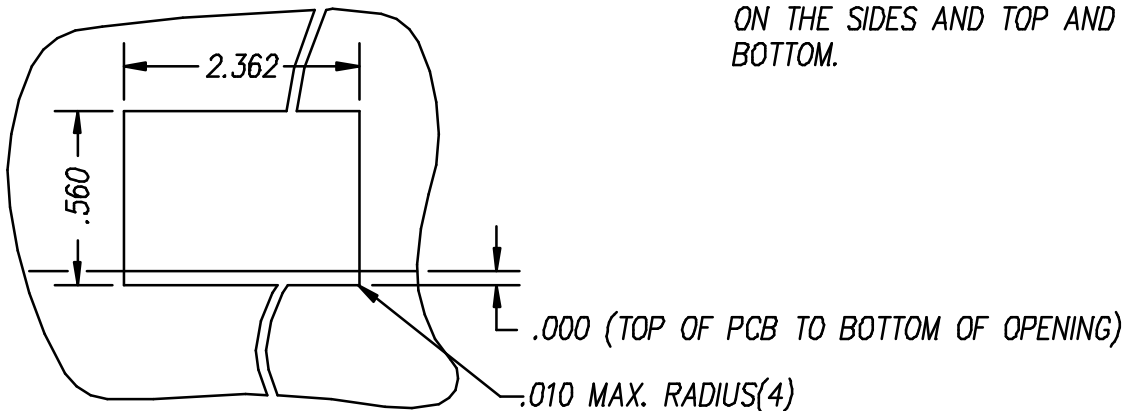
PART NO. SS-668804S-A-PG1-AC-A368



PANEL GROUNDING BEAM DEFLECTION  
S.O.S. = SUGGESTED OPENING SIZE



THE SUGGESTED PANEL OPENING IS INTENDED TO GIVE THE USER THE ABILITY TO HAVE REASONABLE JACK / PANEL CLEARANCES YET MAINTAIN RELIABLE GROUNDING CAPABILITY. THESE VARIABLES CAN BE ADJUSTED IN EITHER DIRECTION BUT MAY CARRY SOME CONSEQUENCES IN THE FORM OF LOWER MATING FORCES OR TIGHTER ASSEMBLY TOLERANCES. FORCE VALUES ON THE GRAPH ARE GENERAL AVERAGES TAKEN AT THE POINT OF CONTACT SHOWN ABOVE. THE SUGGESTED PANEL OPENING INCLUDES APPROXIMATELY .020 CLEARANCE ON THE SIDES AND TOP AND .005 ON THE BOTTOM.



SUGGESTED PANEL OPENING