

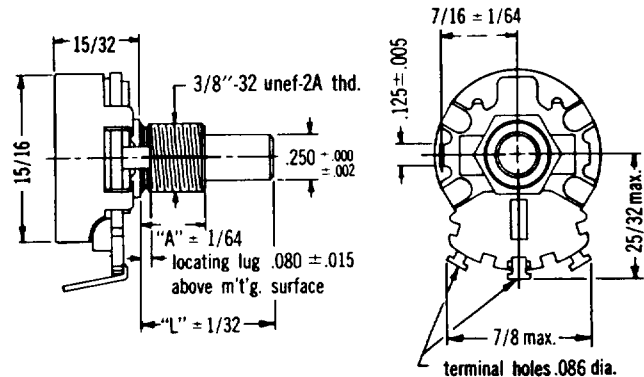
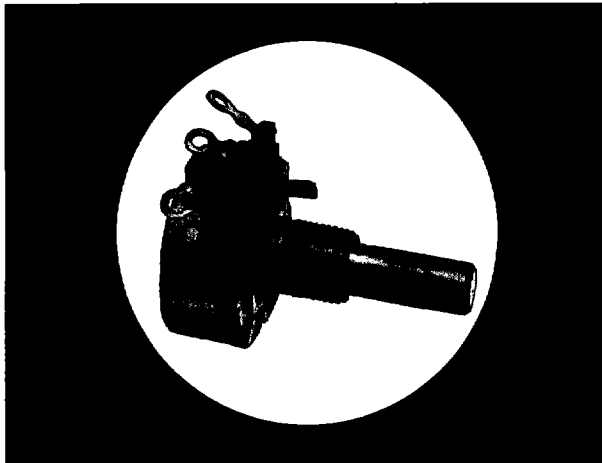
# CTS Series AW

## Commercial 15/16" diameter, 5-watt wirewound variable resistor

- Fully enclosed construction
- 5 watt power rating
- Compact size
- Wide resistance range
- Tandem constructions

- Economical
- 50% tap available
- Bushing or twist tab mounting
- Available with pull-push and rotary power switches
- L and T pads available

### CTS series AW, type AW



### Electrical and Mechanical Specifications

#### Resistance Range

1 ohm through 25K ohms

#### Resistance Tolerance

STANDARD:  $\pm 10\%$

SPECIAL:  $\pm 5\%$

#### Power Rating, Watts

5 watts @ 25°C, 4 watts @ 55°C, derated to no load @ 105°C. Based on linear taper, single section, bushing mounted control on a 4" x 4" x .050" steel panel.

#### Voltage Rating

##### BUSHING TO TERMINALS:

High pot test, one minute—1080 VAC

Operating maximum — 500 VDC

##### ACROSS END TERMINALS:

350 VDC maximum, not to exceed wattage rating.

#### Resistance Tapers

STANDARD: Linear

SPECIAL: Non-linear available

#### Taps

One tap at 50% of resistance and rotation available on resistance values under 5K ohms.

#### Power Switches

Switch Type	Switch Rating	CTS Type
SPST Pull-on, Push-off	3 amps @ 125 VAC	K*
SPST Rotary	3 amps @ 125 VAC	GC*
DPST Rotary	3 amps @ 125 VAC	020*
	5 amps @ 125 VAC	
SPDT Rotary	5 amps @ 125 VAC	021*

\*U/L approved

#### Angle of Rotation

##### TOTAL ROTATION:

Without switch  $300^\circ \pm 5^\circ$

With switch  $300^\circ \pm 5^\circ$

##### EFFECTIVE ROTATION:

Without switch 280° approx.

With switch 240° approx.

#### Shaft Information

DIAMETER: .250" +.000" —.002"

LENGTH: As required in increments of 1/16".

TRIM: Available shaft trim shown in General Information catalog section 7000.

#### Bushing Information

DIAMETER: 3/8"-32 UNEF-2A thread.

##### LENGTHS:

Standard Bushing: 3/8" or 1/4"

Special Lengths: Available as required.

#### Locating Lugs

STANDARD POSITION: Left side terminals down supplied unless otherwise specified.

OTHER POSITIONS: Available with lug right side terminals down, without lugs, or with lugs both left and right side.

##### RADIUS:

Standard: 7/16"

Special: 17/32" available

#### Mounting Hardware:

Available hardware shown in General Information Catalog Section 7000. Unless specified, controls supplied less hardware.

