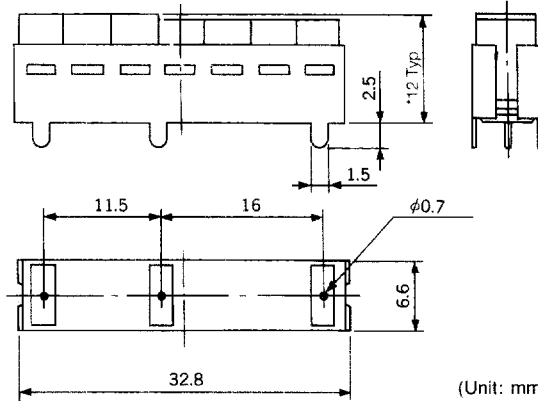
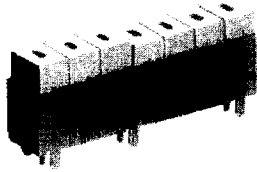


### TYPE 6DPH Antenna Duplexers

Frequency Range: 800-1500MHz

Temperature Range: -25°C to +85°C



\* Depends on center frequency

### STANDARD DEVICES SELECTION GUIDE

The Part Numbers shown in the table below are standard devices which are readily available. TOKO will design and manufacture modified and custom devices with specific characteristics to meet your requirements. If you do not find the device for your application in this catalog, please contact our sales office or representative office.

#### Specifications: 6DPH

	Tx (Transmit Side)	Rx (Receive Side)
Center Frequency	902.5MHz	947.5MHz
Passband Width	$\pm 12.5$ MHz	$\pm 12.5$ MHz
Passband Insertion Loss	2.2dB max.	2.5dB max.
Passband Ripple	1.0dB max.	1.0dB max.
Passband V.S.W.R.	2.0 max.	2.0 max.
Attenuation 0.35-960MHz	30dB min.	
0-915MHz		25dB Min.
Maximum Input Power	4W (average)	
Input/Output Impedance	50 $\Omega$	50 $\Omega$

### Characteristics

