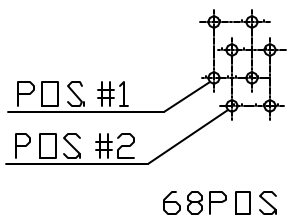
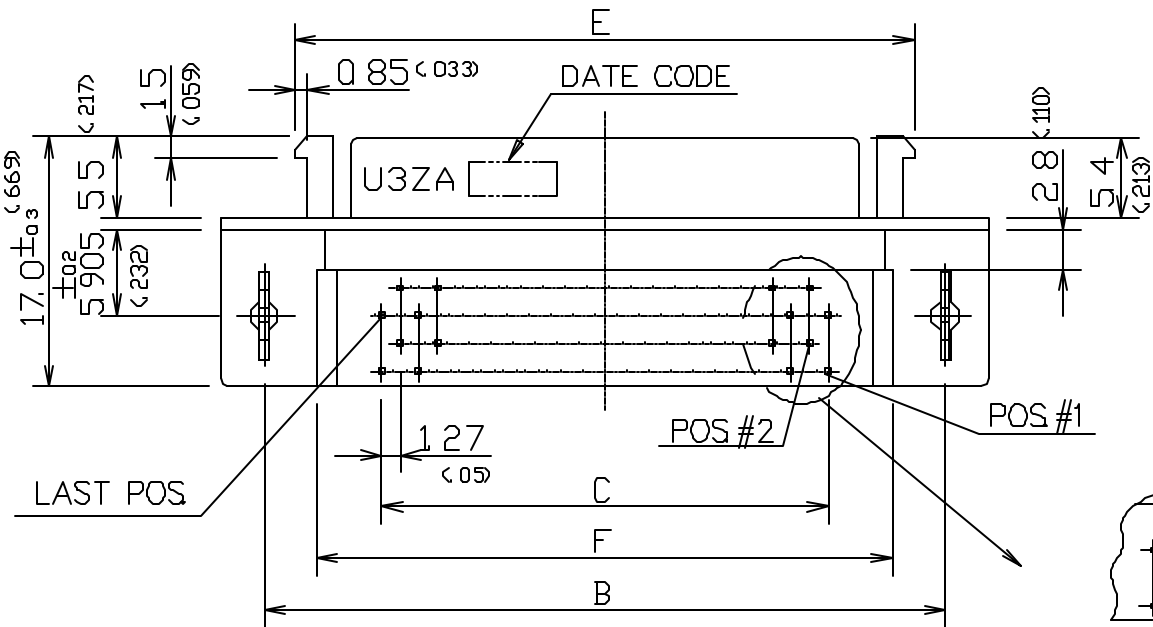
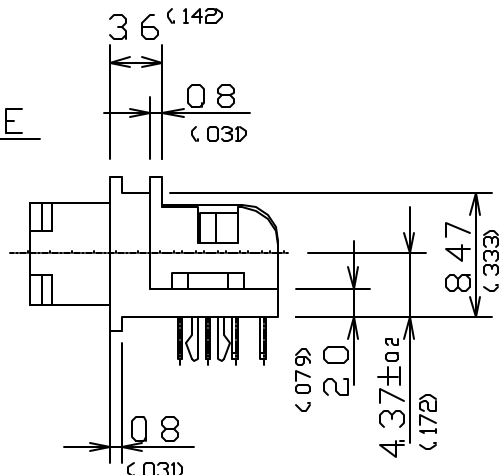
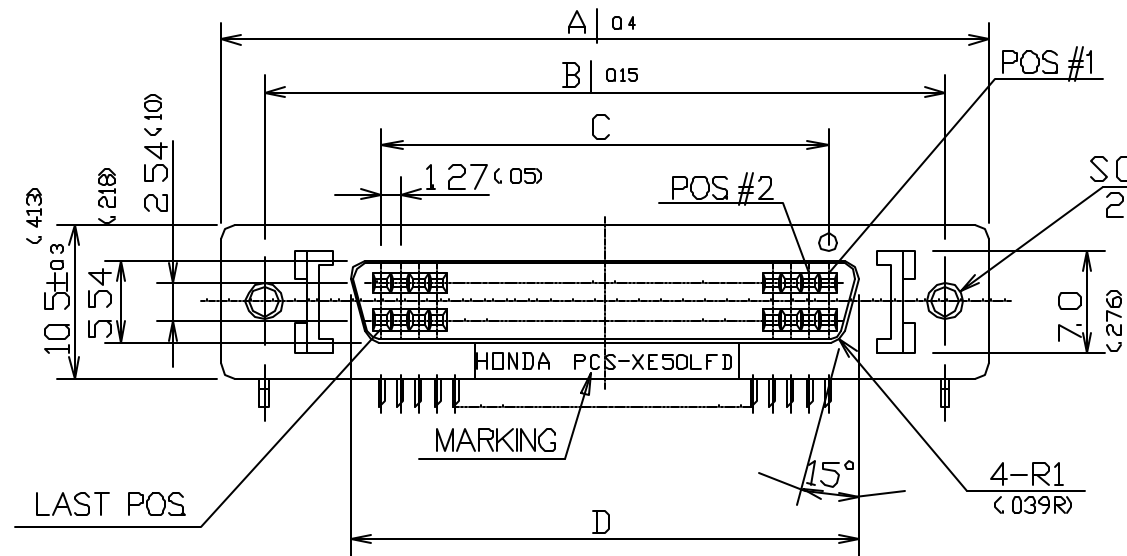
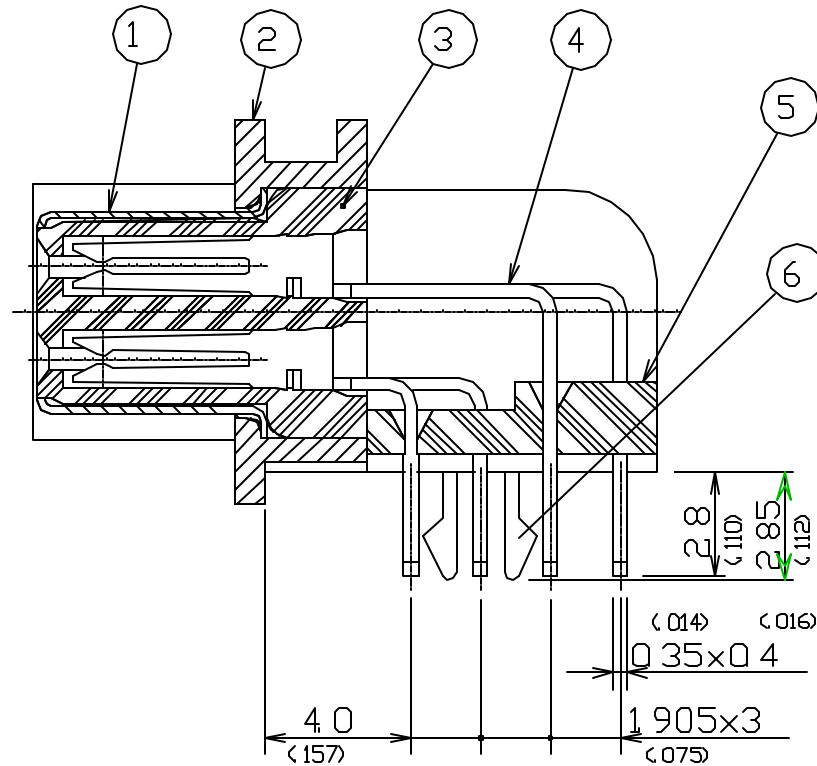
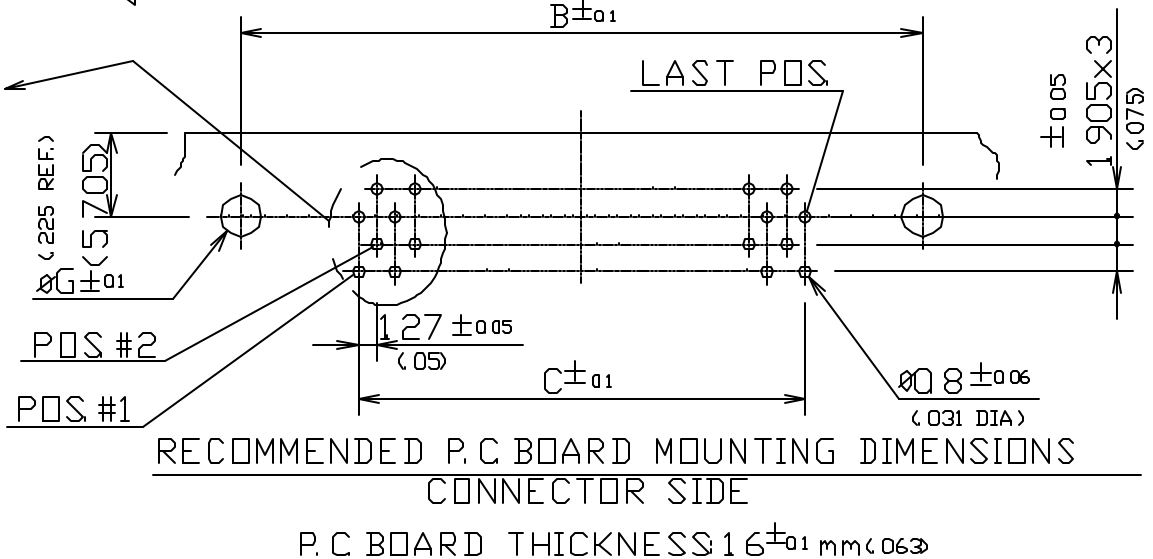


NOTE 1 CONTACT PLATING  
 GOLD (≥20μm MIN) ON  
 MATING AREA, TIN/LEAD ON  
 TERMINATION AREA, ALL OVER  
 NICKEL UNDERPLATED



HONDA  
 PRINT RM  
 JUL 10 1997  
 ISSUED



PART No  
 PCS-XE50LFD TU3-ZA 68POS

|                    |            |                    |
|--------------------|------------|--------------------|
| PCS-XE50LFD TU3-ZA | #2-56UNC   | Ø3.05<br>(120 DIA) |
| PART No            | SCREW SIZE | ØG                 |

No OF POS  
 SCREW SIZE &  
 BOARD LOCK SIZE

|                    |           |                |                |                         |                 |                 |                 |             |
|--------------------|-----------|----------------|----------------|-------------------------|-----------------|-----------------|-----------------|-------------|
| PCS-XE68LFD TU3-ZA | 68        | 63.9<br>(2516) | 57.9<br>(2280) | 127×34-D=41.91<br>(165) | 46.13<br>(1816) | 53.72<br>(2115) | 50.71<br>(1996) | PCS-XE68LFD |
| PCS-XE50LFD TU3-ZA | 50        | 52.5<br>(2067) | 46.5<br>(1831) | 127×25-D=30.48<br>(120) | 34.70<br>(1366) | 42.29<br>(1665) | 39.28<br>(1546) | PCS-XE50LFD |
| PART No            | No OF POS | A              | B              | C                       | D               | E               | F               | MARKING     |

|   |            |                 |           |                  |                          |
|---|------------|-----------------|-----------|------------------|--------------------------|
| 6 | BOARD LOCK | PHOSPHOR BRONZE | 2         | TIN/LEAD PLATING | LOW INSERTION FORCE TYPE |
| 5 | BRACKET    | PBT(GF)         | 1         |                  | UL94V-0 BLACK            |
| 4 | CONTACT    | PHOSPHOR BRONZE | No OF POS | NOTE#1           |                          |
| 3 | INSULATOR  | PBT(GF)         | 1         |                  | UL94V-0 BLACK            |
| 2 | SHELL A    | STEEL           | 1         | NI PLATING       |                          |
| 1 | SHELL B    | ZINC ALLOY      | 1         | NI PLATING       |                          |

| LTR. | DATE | BY | REV. DESCRIPT | NO. | PART NAME | MATERIAL | QTY | FINISH | NOTE |
|------|------|----|---------------|-----|-----------|----------|-----|--------|------|
|      |      |    |               |     |           |          |     |        |      |

|                  |       |          |            |                            |      |                    |
|------------------|-------|----------|------------|----------------------------|------|--------------------|
| DATE             | SCALE | UNIT     | 3RD. A. P. | HONDA TSUSHIN KOGYO., LTD. |      |                    |
| JUN 24<br>(1996) | 2/1   | mm(INCH) |            | DR                         | DE   | CHK                |
|                  |       |          |            | CHK                        | APP. | NAME               |
|                  |       |          |            | PART NO.                   |      | PCS-XE50LFD TU3-ZA |
|                  |       |          |            | REV.                       |      | A                  |