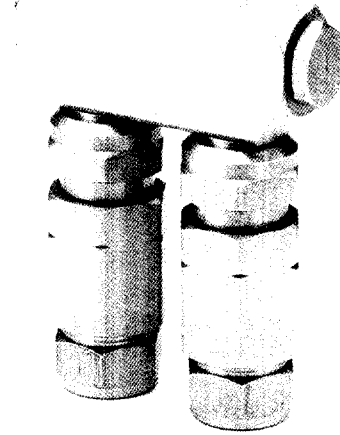


# GRS series

## THREE PIECE PEDESTAL SPLICE

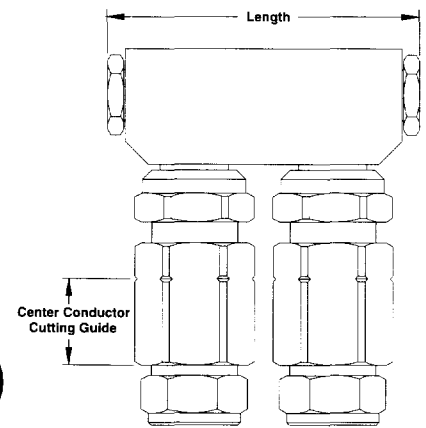


Splice connector used in pedestal applications turning cables 180° in tight spaces. This GRS series splice incorporates (2) three piece auto seizing pin type connectors joined by a splice block.

- The splice block features socket contacts to insure a solid mechanical connection while offering excellent electrical characteristics.
- Independent seizing of the center conductor permits installers to physically verify that the center conductor has been seized prior to tightening the back nut.
- Locating the integral mandrel of the connector in the main nut gives full view of the center conductor entering the seizing mechanism and requires minimal pull back for ease of installation.
- Reusable
- Center conductor trim guide.
- Part numbers are permanently marked on the connectors for easy identification.

# Pedestal Splices

Note: Refer to page 2 for applicable hex dimensions.



## CommScope P-III Times Fiber T-10

	PART NUMBER	LENGTH
.412	GRS-412-PED-DU-01	3.55
.500	GRS-500-PED-DU-03	3.55
.625	GRS-625-PED-DU-02	3.55
.750	GRS-750-PED-DU-01	4.05
.875	GRS-875-PED-DU-02	4.05
1.000	GRS-1000-PED-DU-01	4.05

## CommScope QR

.320 (7C)	GRS-320-PED-QR	3.55
.540	GRS-540-PED-QR	3.55
.715	GRS-715-PED-QR	4.05
.860	GRS-860-PED-QR	4.05
1.125	GRS-1125-PED-QR	4.05

## Times Fiber TX-10

.480	GRS-480-PED-TX	3.55
.565	GRS-565-PED-TX	3.55
.700	GRS-700-PED-TX	4.05
.840	GRS-840-PED-TX	4.05
1.160	GRS-1160-PED-TX	4.05

## Trilogy MC2

.440	GRS-440-PED-MC2	3.55
.500	GRS-500-PED-MC2	3.55
.650	GRS-650-PED-MC2	4.05
.750	GRS-750-PED-MC2	4.05
1.000	GRS-1000-PED-MC2	4.05

## Early Generations

See Cable Group Listings in Reference Section of this Catalog

.412 Group A	GRS-412-PED-A-01	3.55
.412 Group CX	GRS-412-PED-CX	3.55
.500 Group C	GRS-500-PED-A-01	3.55
.500 Group D	GRS-500-PED-DU-01	3.55
.500 Group E	GRS-500-PED-DU-02	3.55
.500 Group F	GRS-13.0-PED-DU-01	3.55
.500 Group CX	GRS-500-PED-CX	3.55
.625 Group CX	GRS-625-PED-CX	4.05
.750 Group G	GRS-750-PED-A-01	4.05
.750 Group H	GRS-750-PED-DU-03	4.05
.750 Group J	GRS-750-PED-FD-04	4.05
.750 Group CX	GRS-750-PED-CX	4.05
.875 Group CX	GRS-875-PED-CX	4.05
1.000 Group O	GRS-1000-PED-A-01	4.05
1.000 Group N	GRS-1000-PED-FD-01	4.05