

REVISION H

DO NOT SCALE FROM THIS PRINT

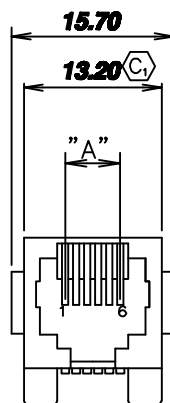
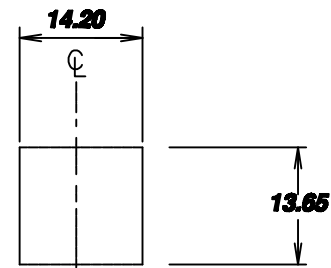
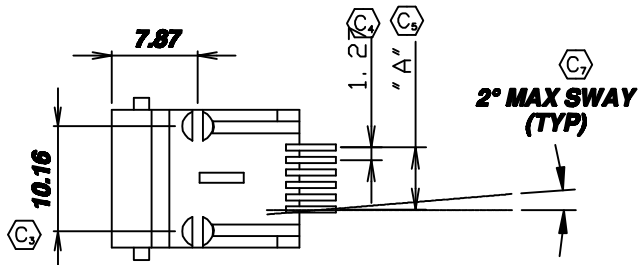
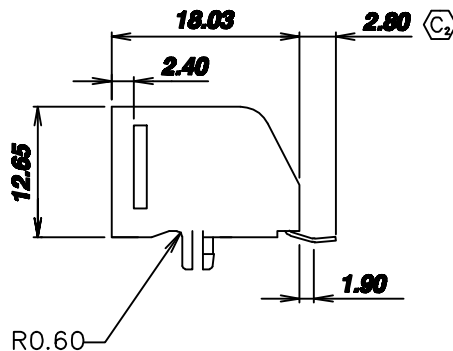


TABLE 1	
POS / CONTACTS	"A"
-6P4C	3.81
-6P6C	6.35



SUGGESTED PANEL CUTOUT DIMENSIONS

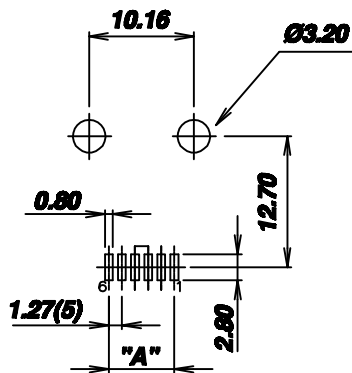
MODS-D-6PXC-XX-SM-X

TYPE -D EI OPTION -R: RoHS COMPLIANT

POSITIONS/CONTACTS
-6P4C: 6 Pos/4 Con
-6P6C: 6 Pos/6 Con

(C6) PLATING (SEE NOTE 2)
-L: .000015" Au
-S: .000030" Au
-U: .000050" Au

RA TERMINATION
SM: Surface Mount



PCB LAYOUT

NOTES:

- (C6) REPRESENTS A CRITICAL DIMENSION
- PLATING APPLIES TO MATING AREA
FLASH GOLD ON TAILS.

UNLESS OTHERWISE SPECIFIED, DIMENSIONS ARE IN MM. TOLERANCES ARE:
DECIMALS X.XX±0.25
X.XXX±0.13
X.XXXX±0.05

ANGLES ±3

PROPRIETARY NOTE
THIS DOCUMENT CONTAINS INFORMATION CONFIDENTIAL AND PROPRIETARY TO SAMTEC INC. AND SHALL NOT BE REPRODUCED OR TRANSFERRED TO OTHER DOCUMENTS OR DISCLOSED TO OTHERS OR USED FOR ANY PURPOSE OTHER THAN THAT FOR WHICH IT WAS OBTAINED WITHOUT THE EXPRESSED WRITTEN CONSENT OF SAMTEC INC.

DO NOT SCALE DRAWING
INSULATOR: NYLON 46 (UL 94V-0) BLACK
CONTACT : Phosphor Bronze
SHELL : Copper Alloy

MAX FLASH ALLOWED: .051
MAX GATE VESTIGE: .051

F:\DWG\EXISPROD\ASSEMBLY\0\MODJACKS\MODS

SHEET SCALE: 1:2

samtec

520 PARK EAST BLVD. NEW ALBANY, IN 47150
(812) 944-6733 P.O. BOX 1147 TWX: 810-540-4085

DESCRIPTION:
RJ11 or RJ12 Very Low Profile PCB Jack

DWG. NO. MODS-D-6PXC-XX-SM-X

BY: J. Riley 12/31/2003 SHEET 1 OF 1

CODE: 55372