

REVISION F

DO NOT SCALE FROM THIS PRINT

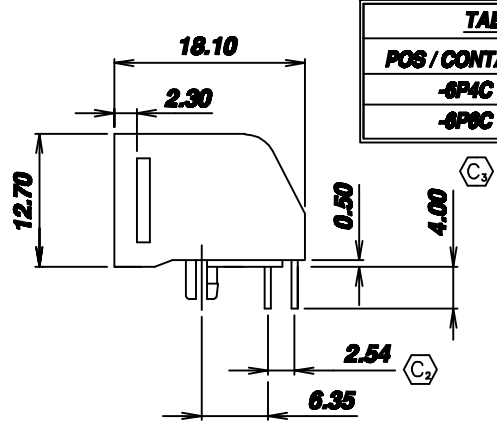
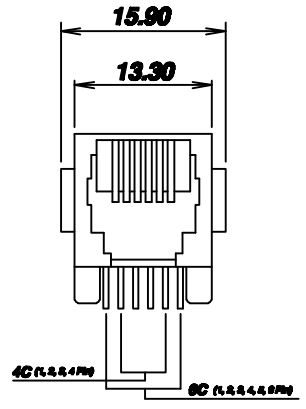


TABLE 1	
POS / CONTACTS	"A"
-6P4C	3.81
-6P6C	6.35

MODS-D-6PXC-X-TH-R

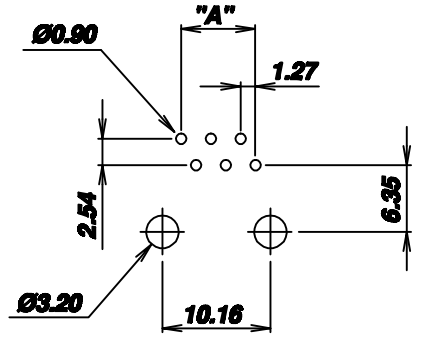
TYPE -D

POSITIONS/CONTACTS  
 -6P4C: 6 Pos/4 Con  
 -6P6C: 6 Pos/6 Con

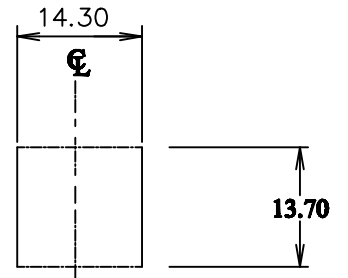
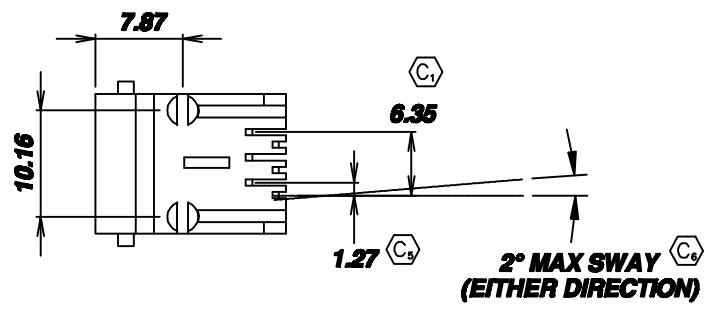
PLATING  
 -L: .000015" Au  
 -S: .000030" Au  
 -U: .000050" Au  
 (SEE NOTE 2)

RA TERMINATION  
 -TH: Through Hole

E&I OPTION  
 -R: RoHS COMPLIANT



PCB LAYOUT



SUGGESTED PANEL CUTOUT DIMENSIONS

NOTES:

1. (C) REPRESENTS A CRITICAL DIMENSION
2. PLATING APPLIES TO MATING AREA, GOLD FLASH ON TAILS
3. PIN NUMBERS REFLECT PIN CALLOUT ON THE CONNECTOR, NOT USER SYSTEM WIRING ASSIGNMENT.

UNLESS OTHERWISE SPECIFIED, DIMENSIONS ARE IN MM. TOLERANCES ARE: DECIMALS      ANGLES X.XX±0.25      ±3 X.XXX±0.13 X.XXXX±0.05	<b>PROPRIETARY NOTE</b> THIS DOCUMENT CONTAINS INFORMATION CONFIDENTIAL AND PROPRIETARY TO SAMTEC INC. AND SHALL NOT BE REPRODUCED OR TRANSFERRED TO OTHER DOCUMENTS OR DISCLOSED TO OTHERS OR USED FOR ANY PURPOSE OTHER THAN THAT FOR WHICH IT WAS OBTAINED WITHOUT THE EXPRESSED WRITTEN CONSENT OF SAMTEC INC.		CODE: 55372
DO NOT SCALE DRAWING      SHEET SCALE: 1:2 Housing : PBT 20% Glass Filled (UL 94V-0) Color : Black Color Spring Wire : 0.35mm Thickness Phosphor Bronze Gold Plating Over Nickel		DESCRIPTION: RJ45 Very Low Profile PCB Jack	
MAX FLASH ALLOWED: .051 MAX GATE VESTIGE: .051		DWG. NO.      MODS-D-6PXC-X-TH-R	
F:\DWG\MISC\MKTG\MODS-D-6PXC-X-TH-R-MKT.DWG		BY:T WHELAN 12/14/04      SHEET 1 OF 1	