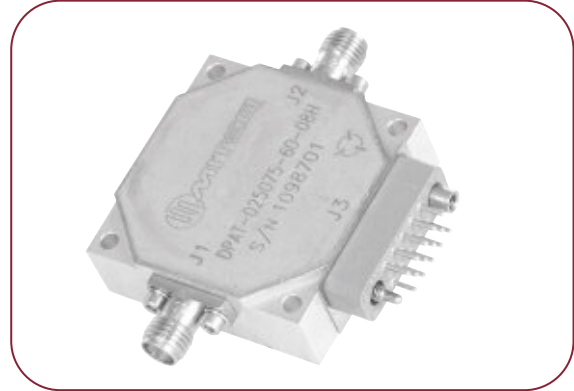


DIGITAL PIN ATTENUATORS

FEATURES

- Frequency range..... 2.5–12 GHz
- Attenuation range..... 0 to 63.75 dB
with .25 dB step size
- RF input power +20 dBm maximum
- Switching time..... less than 1 usec
- Guaranteed monotonicity
- Hermetically sealed units are available upon request
- Standard field replaceable RF connectors
- Narrowband models can be optimized for premium performance
- Small size..... 1.34" [34.04 mm] x 1.34" [34.04 mm] x 0.463" [11.760 mm] (excludes connectors)



Frequency Range (GHz)	Model* Number	Insertion Loss (dB, Max.)	VSWR** (Max.)	Amplitude Response (±dB)	Mean Attenuation Range (±dB)	Attenuation Accuracy (±dB)	DC Power	Digital Control
STANDARD MODELS								
2.5-7.5	DPAT-02500750-60-08	3	2.5	0.7 at up to 10 dB 1.7 at up to 20 dB 2.5 at up to 30 dB 3.4 at up to 40 dB 4.5 at up to 60 dB	0–63.75	0.75	+12 V/140 mA -12 V/50 mA	TTL 8 bits
8–12	DPAT-08001200-60-08	4	2.5	0.7 at up to 10 dB 1.7 at up to 20 dB 2.5 at up to 30 dB 3.4 at up to 40 dB 4.5 at up to 60 dB	0–63.75	0.75	+12 V/140 mA -12 V/50 mA	TTL 8 bits

* For hermetically sealed units, add an "H" at the end of the model number e.g. DPAT-0250750-60-08H
 ** VSWR performance is specified over full attenuation range.
 Data presented in this table refers to room temperature.
 Custom models featuring broader bandwidths, and/or optimized specifications are also available. Consult MITEQ for options.

ENVIRONMENTAL CONDITIONS

- Operating temperature 0 to 70°C
- Storage temperature -40 to +85°C
- Humidity 95% noncondensing
- Vibration 12 g's rms, 20-2000 Hz per MIL-STD-810B Method 514, Procedure 5

ORDERING INFORMATION

Please contact MITEQ.

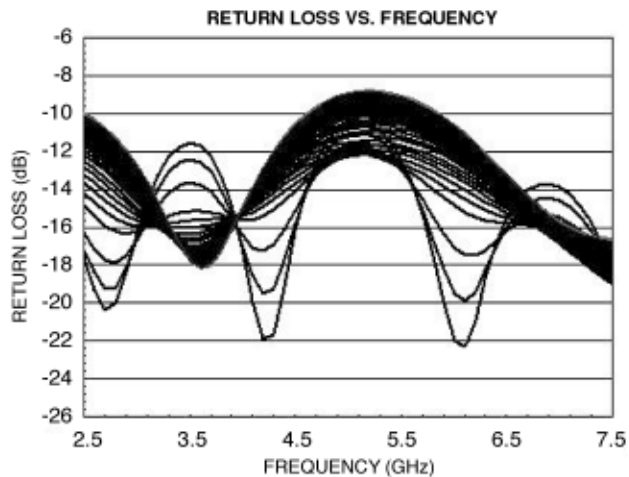
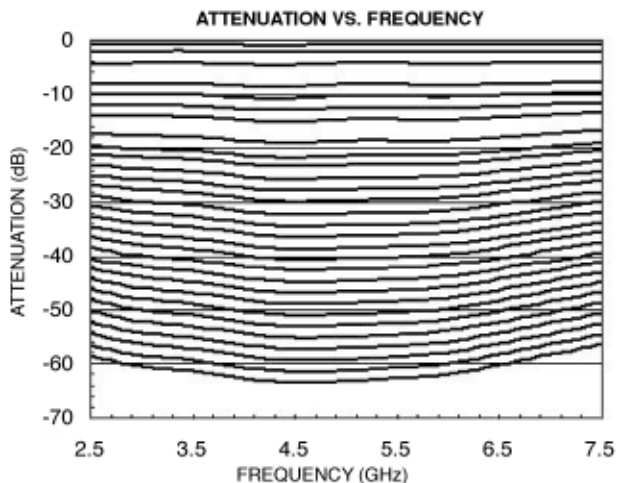
ORDERING INFORMATION FOR RF CONNECTORS

Unless otherwise specified, all units will be shipped with field replaceable SMA female connectors on the input and outputs. If male connectors are desired on any port, please specify on the purchase order.

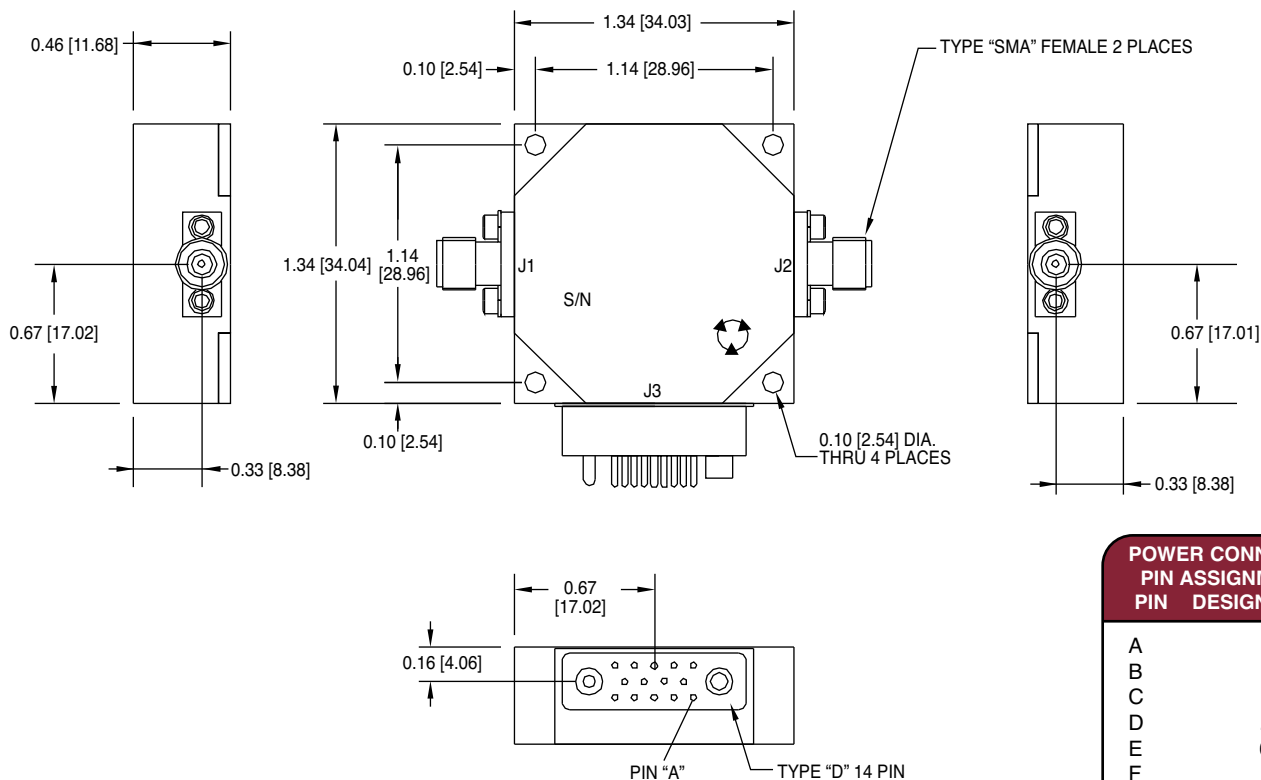


TYPICAL TEST DATA

DPAT-02500750-60-08



OUTLINE DRAWING



POWER CONNECTOR PIN ASSIGNMENTS

PIN DESIGNATION	ASSIGNMENTS
A	GND
B	N.C.
C	-12 V
D	.25 dB
E	0.5 dB
F	1 dB
H	4 dB
J	2 dB
K	16 dB
L	32 dB
M	+12 V
N	8 dB
P	GND
R	N.C.

GENERAL NOTES:

- Dimensions shown in brackets [] are in millimeters.
- Unless specified, all connectors are type SMA female field replaceable.
- Tolerance as follows:
 .xx = ±0.01 [.xx = ±0.25]
 .xxx = ±0.005 [.xxx = ±0.13]

