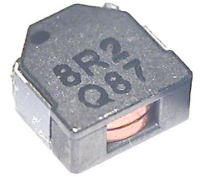
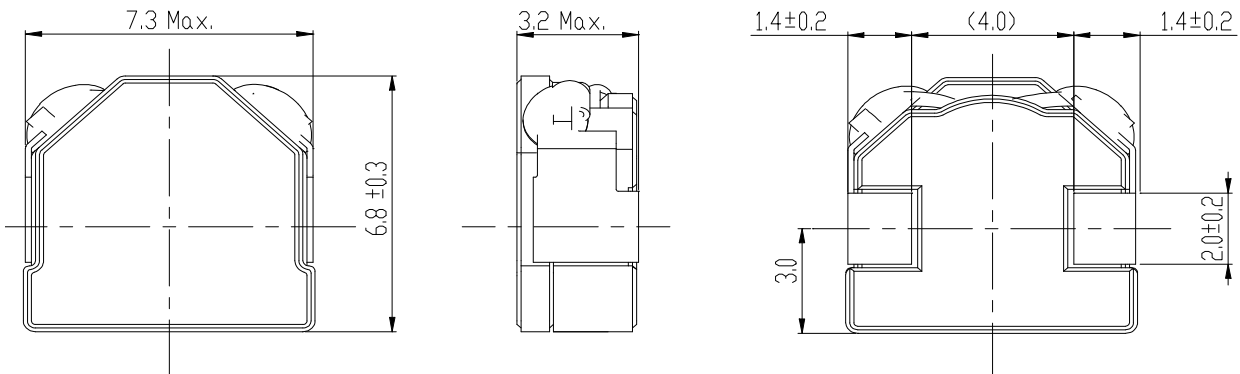
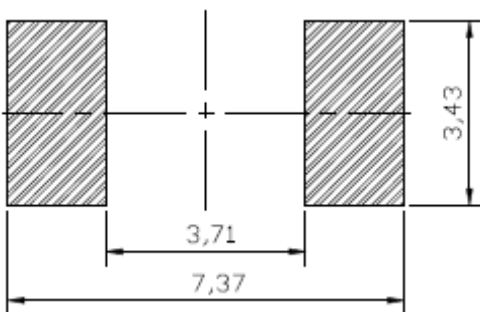
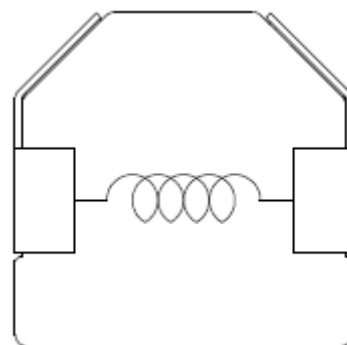


**Type: CDEIR6D31F**
**◆ Product Description**

- 7.3×7.1mm Max.(L×W), 3.2mm Max. Height.
- Inductance range: 1.0~12.0μH.
- Rated current range: 7.4~2.2A.
- Custom design is available.


**◆ Feature**

- Magnetically shielded construction.
- Operating temperature range: -40°C~+105°C(Including coil's self temperature rise).
- Low DCR, flat wire used.
- Low core loss in high frequency, Ni-Zn core used.
- Ideally used in Notebook, PDA and other portable device.
- RoHS Compliance and Halogen Free.

**◆ Dimensions (mm)**

**◆ Land Pattern (mm)**

**◆ Schematics (Bottom)**


**Type: CDEIR6D31F**
**◆ Specification**

Part No.	Stamp	Inductance (100kHz) ( $\mu$ H)	D.C.R. Max.(typ.) (m $\Omega$ )	Saturation Current (A)※1	Temperature Rise Current (A)※2
CDEIR6D31FNP-1R0N□	1R0	1.0 $\pm$ 30%	8.8(7.3)	7.7(9.7)	7.4(8.5)
CDEIR6D31FNP-1R5N□	1R5	1.5 $\pm$ 30%	9.6 (8.0)	6.8(8.5)	6.8(7.9)
CDEIR6D31FNP-2R2M□	2R2	2.2 $\pm$ 20%	12(10)	6.0(7.5)	6.5(7.4)
CDEIR6D31FNP-3R3M□	3R3	3.3 $\pm$ 20%	19(15)	4.8(6.0)	5.5(6.3)
CDEIR6D31FNP-4R7M□	4R7	4.7 $\pm$ 20%	26(21)	4.0(5.0)	4.7(5.4)
CDEIR6D31FNP-5R6M□	5R6	5.6 $\pm$ 20%	29(23)	3.5(4.4)	4.4(5.0)
CDEIR6D31FNP-6R8M□	6R8	6.8 $\pm$ 20%	40(32)	3.0(3.8)	3.5(4.0)
CDEIR6D31FNP-8R2M□	8R2	8.2 $\pm$ 20%	43(34)	2.8(3.5)	3.6(4.1)
CDEIR6D31FNP-100M□	100	10.0 $\pm$ 20%	66(53)	2.6(3.2)	2.6(2.9)
CDEIR6D31FNP-120M□	120	12.0 $\pm$ 20%	76(61)	2.4(3.0)	2.2(2.5)

**※ Description of part name**

CDEIR6D31FNP-1R0N□  
 □ — B Box  
 □ — C Carrier Tape

※1. Saturation Current: The DC current at which the inductance decreases to 70% of its nominal value.

※2. Temperature rise current: The DC current at which the temperature rise is  $\Delta t=40^{\circ}\text{C}$ . ( $T_a=20^{\circ}\text{C}$ )