

DPA-Miniature Rack/Panel

DPA plugs are rugged, miniature rack/panel plugs utilizing maximum insert space in a one-piece shell. Polarization is accomplished with a keystone cornered shell and the coupling means is friction. Operating temperature for the DPA is - 55 C to + 125 C (-67 F to + 257 F)

DPAF - Float Mount Shells

DPAF plugs are DPA plugs with four rivets with washers on the contact termination side of the connector. Floating rivets are .093 (2.36) I.D. with a minimum of .032 (0.81) float.

DPAL - Large Flange Shells

DPAL plugs are DPA plugs with a large flange.

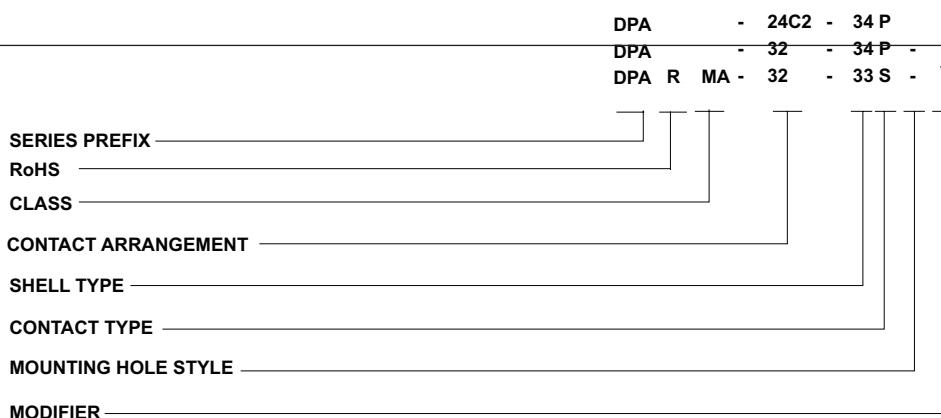
DPAMA - Little CAESAR' Contact Assembly

DPAMA plugs are DPA plugs with the proven LITTLE CAESAR contact assembly for rear insertion, release and extraction of crimp type contacts. Insertion requires no tool; extraction requires an expendable plastic tool. Hard dielectric, closed-entry socket insert has lead-in chamfers for positive mating of pin contacts. Contacts are of simpler, stronger design for greater resistance to bending or damage and are crimpable with the M22520/1-01 tool.

Material Specifications

		DPA/DPAF/DPAL	DPAMA
Shell	Material	Aluminum alloy	Aluminum alloy
	Finish	Cadmium plate with yellow chromate	Cadmium plate with yellow chromate
Insulator	Material	Melamine	Diallyl phthalate
	Material	Copper alloy	Copper alloy
Contacts	Finish	Gold over copper alloy	Gold over copper alloy
	Termination	Solder pot	Crimp

How to Order



RoHS version

R - RoHS compatible

CLASS

F - Float mount shell

L - Large flange shell

MA - LITTLE CAESAR contact assembly with crimp, snap in contacts

CONTACT ARRANGEMENT

SHELL TYPE

33 for plug, 34 for receptacle

CONTACT TYPE

P - Pin

S - Socket

MOUNTING HOLE STYLES

DPA

No Dash	- .093 (2.36) Dia.
A	- .093 (2.36) Dia., countersunk 82 to .173 (4.39) Dia.
B	- .120 (3.05) Dia., countersunk 100 to .225 (5.72) Dia.
C	- .093 (2.36) Dia., countersunk 100 to .182 (4.62) Dia.
E	- .120 (3.05) Dia.
F	- .100 (2.54) Dia.
G	- .120 (3.05) Dia., countersunk 82 to .203 (5.16) Dia.
H	- Tapped #4-40 NC-2
J	- .093 (2.36) Dia., countersunk 100 to .192 (4.88) Dia.

DPAMA

No Dash	- .093 (2.36) Dia., countersunk 82 to .173 (4.39) Dia.
A	- .093 (2.36) Dia.
B	- .120 (3.05) Dia., countersunk 100 to .225 (5.72) Dia.
C	- .093 (2.36) Dia., countersunk 100 to .182 (4.62) Dia.
D	- .136 (3.45) Dia.
E	- .120 (3.05) Dia.
F	- .100 (2.54) Dia.
G	- .120 (3.05) Dia., countersunk 82 to .203 (5.16) Dia.
H	- Tapped #4-40 NC-2

MODIFIER

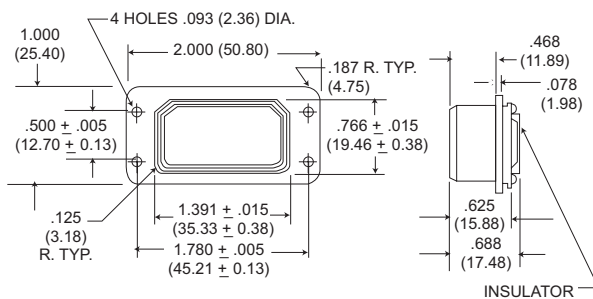
Add FO to order connector less contacts. Consult factory for other modifications.

Arrangements with coax contacts, such as 24C2, may be ordered without coax contacts by substituting a "W" for teh "C" e.g., DPA-24C2-34P with two coax contacts becomes DPA-24W2-34P with two cavities. The customer can then order separately any snap in coax contact shown on page 99. The customer is thus able to "create" arrangements with infinite combinations of coax contacts.

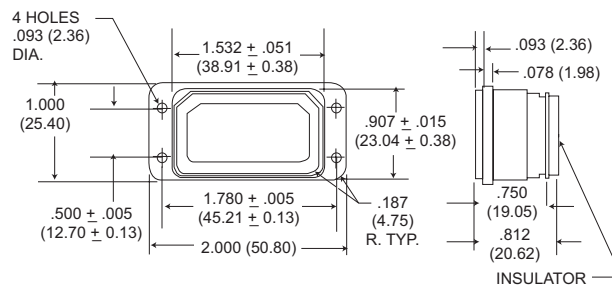
Dimensions shown in inch (mm)
Specifications and dimensions subject to change

Solid Shell

DPA-33

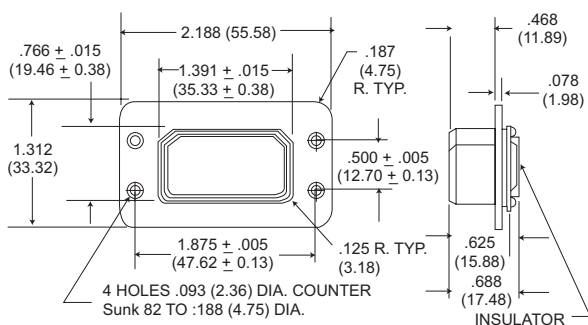


DPA-34

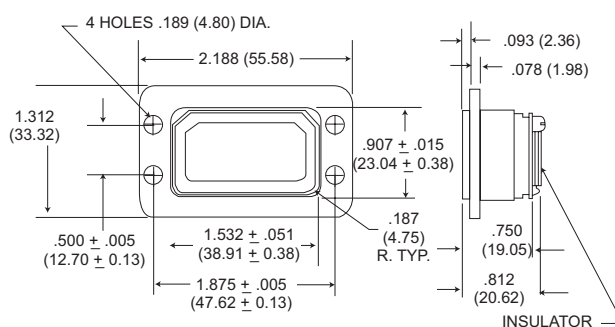


Large Flange Shell

DPAL-33

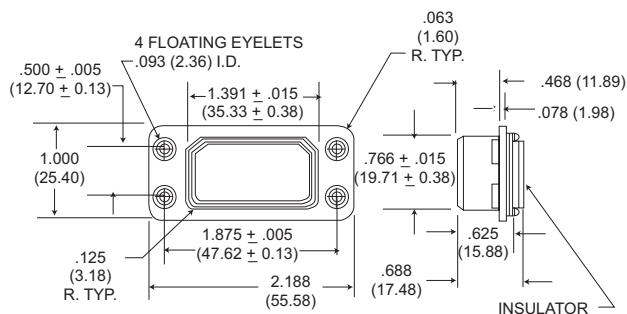


DPAL-34

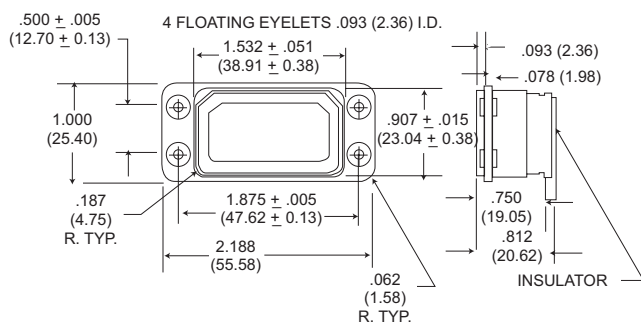


Float Mount Shell

DPAF-33

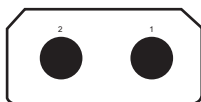


DPAF-34

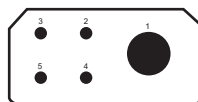


Contact Arrangements

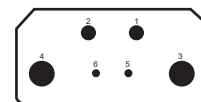
Face view of pin insert



2
2 #4
2900

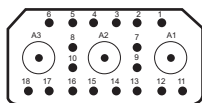


5
1 #4, 4 #14
2500

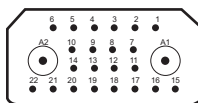


6
2 #8, 2 #12, 2 #20
2600 (5,6)

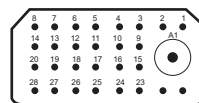
No. of contacts & Wire Size
Test Voltage AC (RMS)



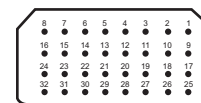
21C3
18 #20, 3 coax
1500 (1-18)
1000 (A1, A2, A3)



24C2
22 #20, 2 coax
1500 (1-22)
1000 (A1, A2)



29C1
28 #20, 1 coax
1500 (1-28), 1000 (A1)



32
32 #20
1500

No. of contacts & Wire Size
Test Voltage AC (RMS)

Arrangement also available with LITTLE CAESAR contact assembly and may be employed in any shell type.

DPA Coaxial Variations

Termination Code	Variations of Basic Arrangements	Coaxial Type/Part Number	Max. Coaxial Extension From Rear of Flange	
			34 Shell	33 Shell
1	A21C3 *24C2	*29C1 FIXED	.953 (24.21)	.453 (11.51)
2	*21C3 D24C2	A29C1 FIXED	.859 (21.82)	.359 (9.12)
3*	B21C3 L24C2	C29C1 P-249-5012-000 S-249-5008-000	1.031 (26.91)	.500 (12.70)
4	C21C3 P24C2	F29C1 FIXED	1.094 (27.79)	.594 (15.09)
5	D21C3 K24C2	K29C1 FIXED	1.047 (26.59)	.561 (14.28)
6*	E21C3 N24C2	L29C1 P-249-5052-002 S-249-5051-001	1.218 (30.94)	.670 (17.02)
7	F21C3 B24C2	M29C1 FIXED	1.094 (27.79)	.594 (15.09)
8	F21C3 C24C2	N29C1 FIXED	1.094 (27.79)	.609 (15.47)
9	H21C3 R24C2	P29C1 FIXED	1.125 (28.98)	.625 (15.88)
10	21HV3 24HV2	29HV1 FIXED	1.062(26.98)	.554 (14.07)
11*	J21C3 H24C2	G29C1 P-249-5052-002 S-249-5051-001	1.218 (30.94)	.670 (17.02)
	21W3 24W2	29W1	Coaxials Not Supplied	

*Termination codes - 3, - 6, - 11 utilize snap - in nonremovable coaxials which are supplied with the connector. These coaxials may be ordered separately when ordering the connectors without coaxials (21W3 24W2 and 29W1 layouts).

DPAMA Coaxial Variations

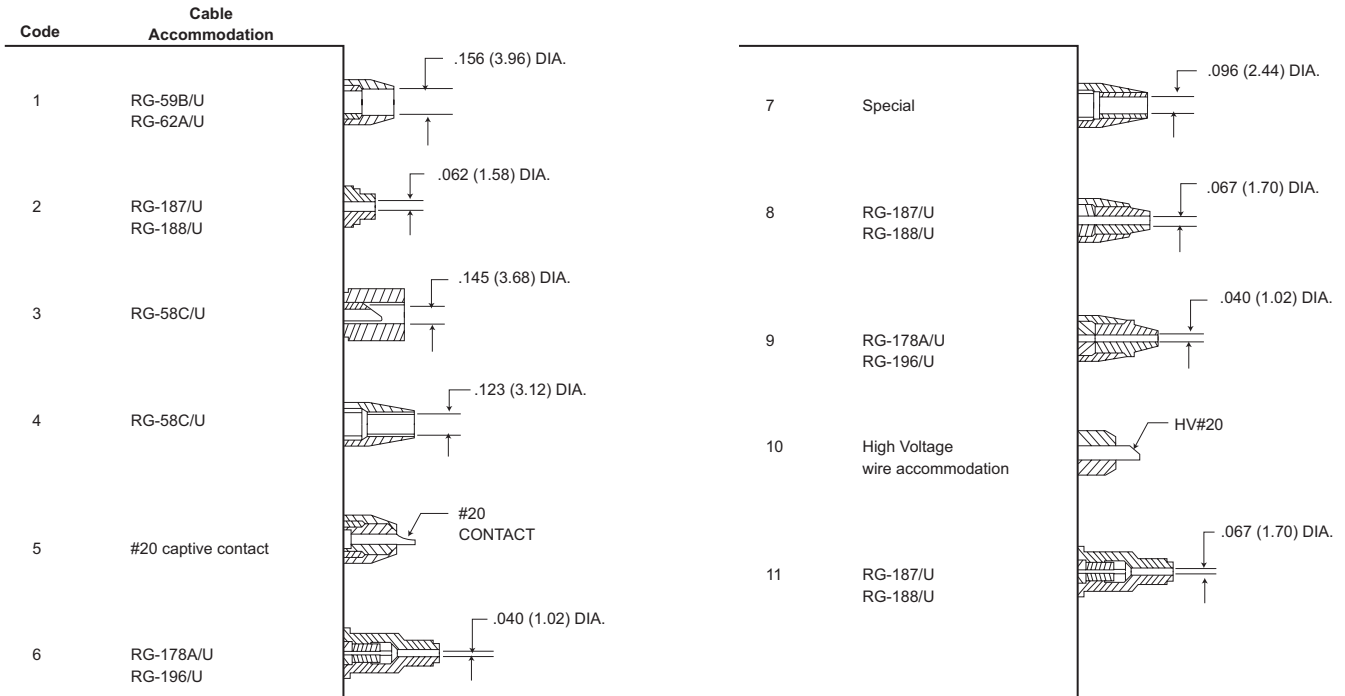
Variations of Basic Arrangements	Coaxial Type/Part Number	Max. Coaxial Extension From Rear of Flange	
		34 Shell	33 Shell
24W2 29W1	Coaxials Not Supplies*	-	-
E24C2 B29C1	Crimp Type for RG-58/U cable	1.239 (31.47)	.737 (18.72)

*DPAMA coaxials purchased separately may be ordered under the following part numbers: Pin (Plug): 249-1741-000
Socket (receptacle): 249-9008-000
Crimp Tool: CA58073-0000
Extraction tool: CET-C11

NOTE: DPA snap in coaxials and DPAMA crimp coaxials are NOT interchangeable but are intermateable.

Contact Terminations

All dimensions are $\pm .010$ (0.25) unless indicated otherwise.



MAX. CONTACT EXTENSION from rear of insulator

Contact Size		20	18	14	12	8	4
Contact	Pin	.156 (3.96)	.140 (3.56)	.125 (3.18)	.218 (5.54)	.218 (5.54)	.250 (6.35)
Extension	Socket	.156 (3.96)	.250 (6.35)	.344 (8.74)	.218 (5.54)	.266 (6.76)	.531 (13.49)

Contact Arrangements

Dust Caps



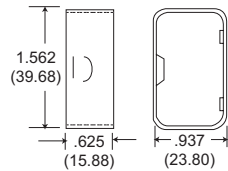
DPA-59 FOR 33 SHELLS
025-0572-000



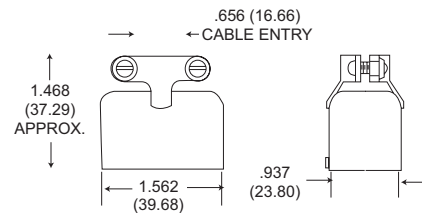
DPA-60 FOR 34 SHELLS
025-0573-000

Conductive: DPA-60-1
025-0573-001 (Protects
Against Static Electricity)

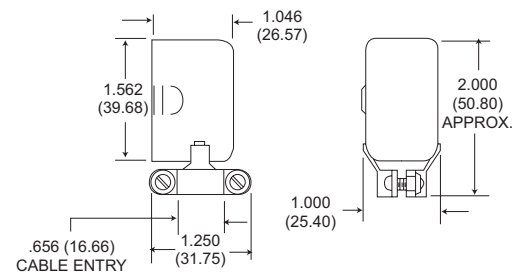
22054 Potting Shell



20746 Straight Junction Shell



20746-1 90° Angle Junction Shell



Dimensions shown in inch (mm)
Specifications and dimensions subject to change

www.ittcannon.com

