

**1A ULDO REGULATOR WITH ENABLE****AP2318A****General Description**

The AP2318A is a series of ultra low dropout regulators optimized for low voltage applications where transient response and minimum input voltage are critical.

The AP2318A provides current limit and thermal shutdown function. Its circuit includes a trimmed bandgap reference to assure output voltage accuracy to be within  $\pm 1\%$ . On-chip thermal shutdown provides protection against any combination of overload and ambient temperatures that would cause excessive junction temperatures.

The AP2318A has adjustable version, which can set the output voltage through two external resistors.

The AP2318A is available in the standard DFN-3x3-8 and PSOP-8 packages.

**Features**

- Wide Operating Voltage Range: 2.5V to 12V
- Output Voltage Accuracy:  $\pm 1\%$
- On-chip Thermal Shutdown
- ESD Rating: 3000V (Human Body Model)  
600V (Machine Model)
- Operation Junction Temperature:  $-40^{\circ}\text{C}$  to  $125^{\circ}\text{C}$

**Applications**

- Notebook
- USB Device
- Add-on Card
- DVD Player
- PC Motherboard

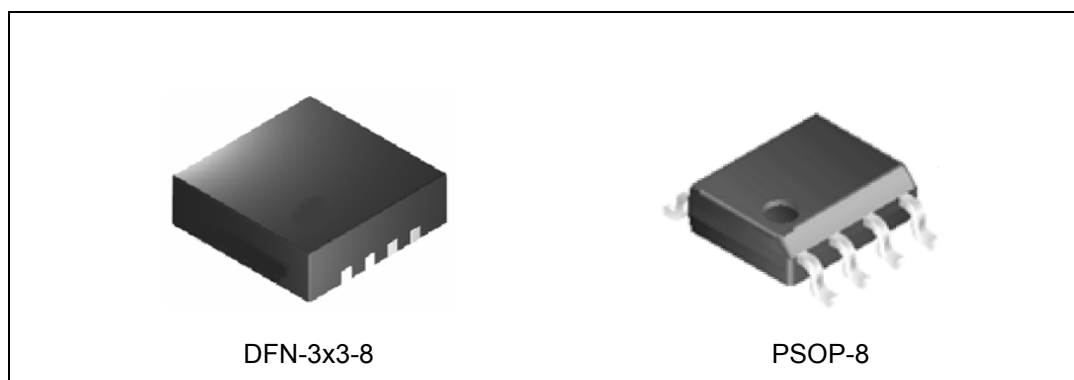


Figure 1. Package Type of AP2318A

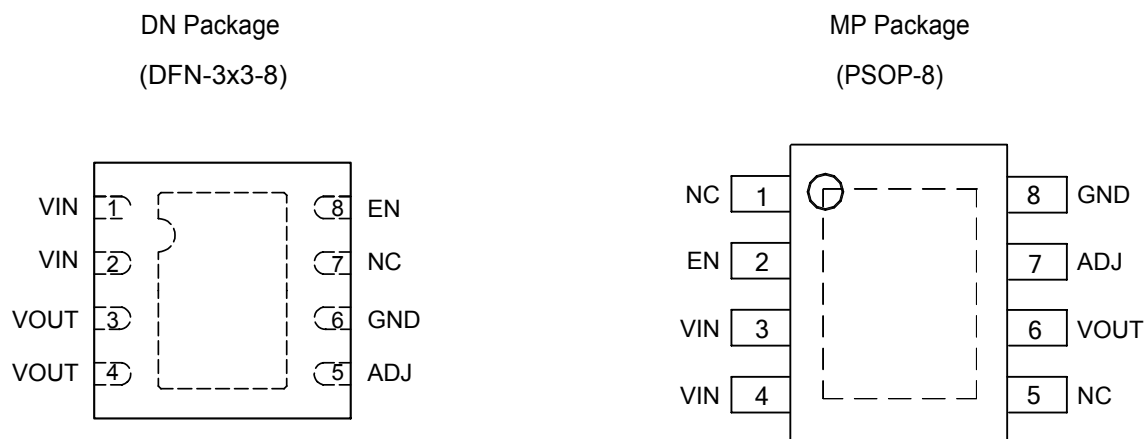
**1A ULDO REGULATOR WITH ENABLE**
**AP2318A**
**Pin Configuration**


Figure 2. Pin Configuration of AP2318A (Top View)

**Pin Description**

Pin Number		Pin Name	Function
DFN-3x3-8	PSOP-8		
1, 2	3, 4	VIN	Input voltage
3, 4	6	VOUT	Output voltage
5	7	ADJ	Adjustable voltage
6	8	GND	Ground
7	1, 5	NC	No connection
8	2	EN	On/Off control

**Functional Block Diagram**

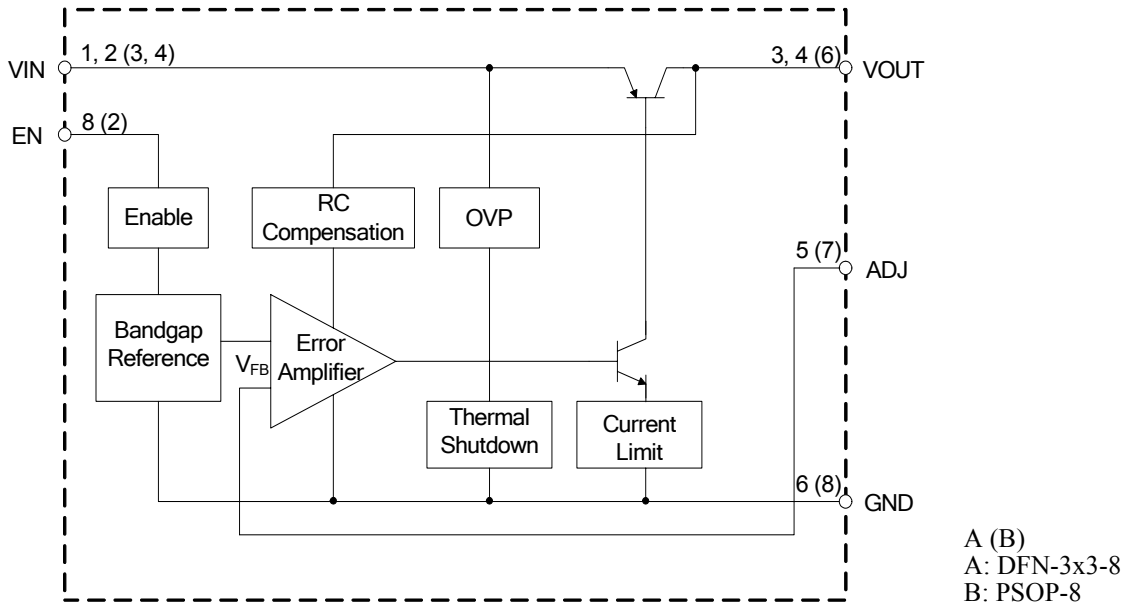


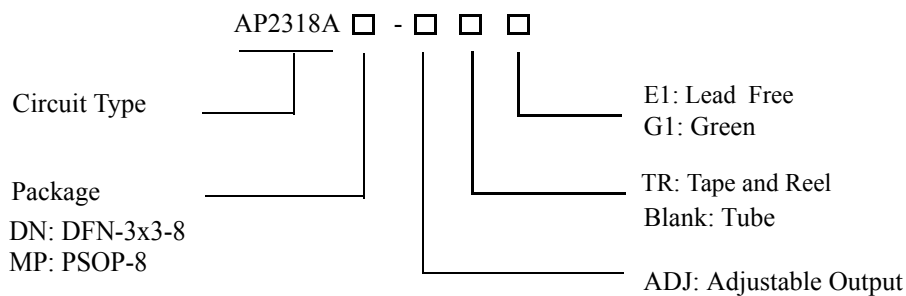
Figure 3. Functional Block Diagram of AP2318A



**1A ULDO REGULATOR WITH ENABLE**

**AP2318A**

**Ordering Information**



Package	Temperature Range	Part Number		Marking ID		Packing Type
		Lead Free	Green	Lead Free	Green	
DFN-3x3-8	-40 to 125°C		AP2318ADN-ADJTRG1		B7B	Tube
PSOP-8	-40 to 125°C	AP2318AMP-ADJE1	AP2318AMP-ADJG1	2318A-ADJE1	2318A-ADJG1	Tube
		AP2318AMP-ADJTRE1	AP2318AMP-ADJTRG1	2318A-ADJE1	2318A-ADJG1	Tape & Reel

BCD Semiconductor's Pb-free products, as designated with "E1" suffix in the part number, are RoHS compliant. Products with "G1" suffix are available in green packages.

**1A ULDO REGULATOR WITH ENABLE****AP2318A****Absolute Maximum Ratings (Note 1)**

Parameter	Symbol	Value	Unit
Input Voltage	$V_{IN}$	15	V
Operating Junction Temperature	$T_J$	150	°C
Storage Temperature Range	$T_{STG}$	-65 to 150	°C
Lead Temperature (Soldering, 10sec)	$T_{LEAD}$	260	°C
Thermal Resistance, Junction to Ambient (Note 2)	$\theta_{JA}$	DFN-3x3-8	120
		PSOP-8	108
ESD (Human Body Model)	ESD	3000	V
ESD (Machine Model)	ESD	600	V

Note 1: Stresses greater than those listed under "Absolute Maximum Ratings" may cause permanent damage to the device. These are stress ratings only, and functional operation of the device at these or any other conditions beyond those indicated under "Recommended Operating Conditions" is not implied. Exposure to "Absolute Maximum Ratings" for extended periods may affect device reliability.

Note 2: Absolute maximum ratings indicate limits beyond which damage to the component may occur. Electrical specifications do not apply when operating the device outside of its operating ratings. The maximum allowable power dissipation is a function of the maximum junction temperature,  $T_J(\text{Max})$ , the junction-to-ambient thermal resistance,  $\theta_{JA}$ , and the ambient temperature,  $T_A$ . The maximum allowable power dissipation at any ambient temperature is calculated using:  $P_D(\text{max}) = (T_J(\text{Max}) - T_A) / \theta_{JA}$ . Exceeding the maximum allowable power dissipation will result in excessive die temperature, and the regulator will go into thermal shutdown.

**Recommended Operating Conditions**

Parameter	Symbol	Min	Max	Unit
Input Voltage	$V_{IN}$	2.5	12	V
Enable Voltage	$V_{EN}$		12	V
Operating Junction Temperature Range	$T_J$	-40	125	°C



**1A ULDO REGULATOR WITH ENABLE**

**AP2318A**

**Electrical Characteristics**

Operating Conditions:  $2.5V \leq V_{IN} \leq 12V$ ,  $C_{IN} = 1\mu F$ ,  $C_{OUT} = 2.2\mu F$ ,  $T_J = 25^\circ C$ , unless otherwise specified. ( $P \leq$  Maximum Power Dissipation). Limits appearing in **Boldface** type apply over the entire junction temperature range for operation of  $-40^\circ C$  to  $125^\circ C$ .

Parameter	Symbol	Conditions	Min	Typ	Max	Unit
Reference Voltage	$V_{REF}$	AP2318A-ADJ, $I_{OUT} = 10mA$ , $V_{IN} - V_{OUT} = 2V$ , $T_J = 25^\circ C$ , $10mA \leq I_{OUT} \leq 1A$ , $V_{OUT} + 2V \leq V_{IN} \leq 12V$	1.237 <b>1.225</b>	1.250 <b>1.250</b>	1.262 <b>1.275</b>	V
Maximum Output Current	$I_{OUT(Max)}$	$V_{IN} - V_{OUT} = 2V$	1.2	1.5		A
Line Regulation	$V_{RLINE}$	AP2318A-ADJ $I_{OUT} = 10mA$ , $V_{OUT} + 2V \leq V_{IN} \leq 12V$		0.05	<b>0.2</b>	%/V
		$I_{OUT} = 10mA$ , $2.5V \leq V_{IN} \leq 12V$		1	<b>6</b>	mV
Load Regulation	$V_{RLOAD}$	AP2318A-ADJ $V_{IN} = V_{OUT} + 2V$ , $10mA \leq I_{OUT} \leq 1A$		0.2	<b>0.4</b>	%
		$V_{IN} = 2.5V$ , $10mA \leq I_{OUT} \leq 1A$		1	<b>15</b>	mV
Dropout Voltage	$V_{DROP}$	$\Delta V_{OUT} (\Delta V_{REF}) = 1\%$ , $V_{OUT} > 2V$ , $I_{OUT} = 1A$		0.5		V
Adjust Pin Current	$I_{ADJ}$			0.05	<b>1</b>	$\mu A$
Minimum Load Current	$I_{LOAD(Min)}$	$V_{OUT} + 2V \leq V_{IN} \leq 12V$ (ADJ only)		<b>1.7</b>	<b>5</b>	mA
Quiescent Current	$I_Q$	$V_{IN} = V_{OUT} + 2V$ , $I_{OUT} = 0mA$		250		$\mu A$
RMS Output Noise (% of $V_{OUT}$ )	$V_{NOI}$	$T_A = 25^\circ C$ , $10Hz \leq f \leq 20kHz$		0.003		%
Thermal Shutdown Temperature				150		$^\circ C$
Thermal Shutdown Hysteresis				25		$^\circ C$
Enable Input Voltage	$V_{EN}$	Enable logic low			<b>0.8</b>	V
		Enable logic high	2.25			
Enable Input Current	$I_{EN}$	$V_{EN} = 2.25V$		5		$\mu A$
		$V_{EN} = 0.8V$			4	$\mu A$
Thermal Resistance (Junction to Case)	$\theta_{JC}$	DFN-3x3-8		15		$^\circ C/W$
		PSOP-8		12		



1A ULDO REGULATOR WITH ENABLE

AP2318A

Typical Performance Characteristics

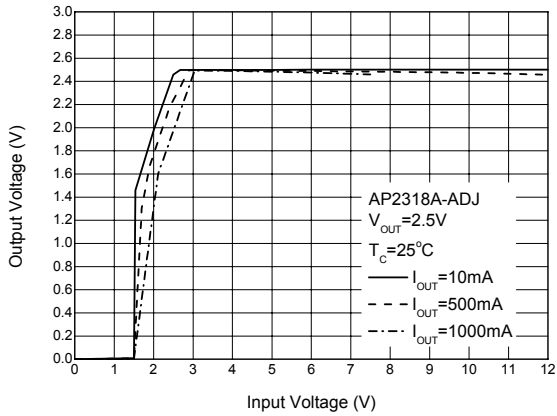


Figure 4. Output Voltage vs. Input Voltage

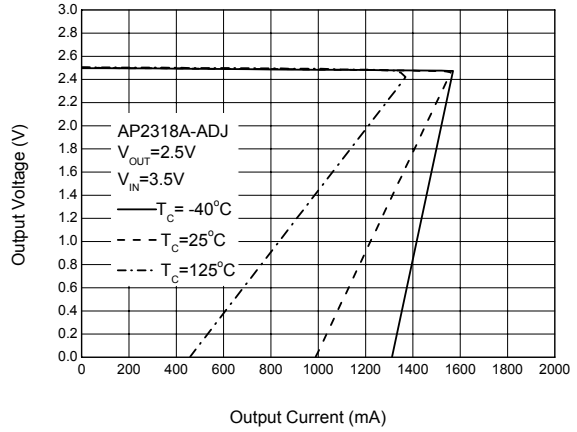


Figure 5. Output Voltage vs. Output Current

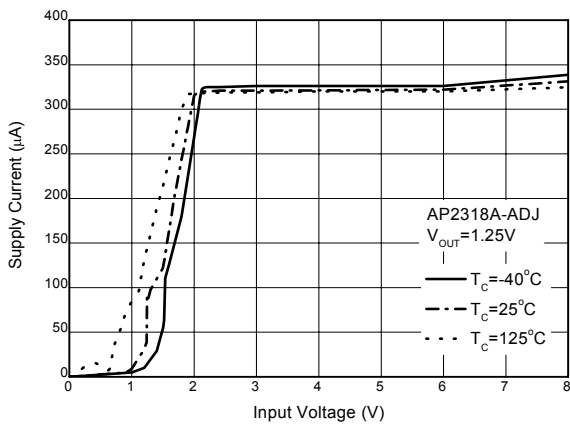


Figure 6. Supply Current vs. Input Voltage

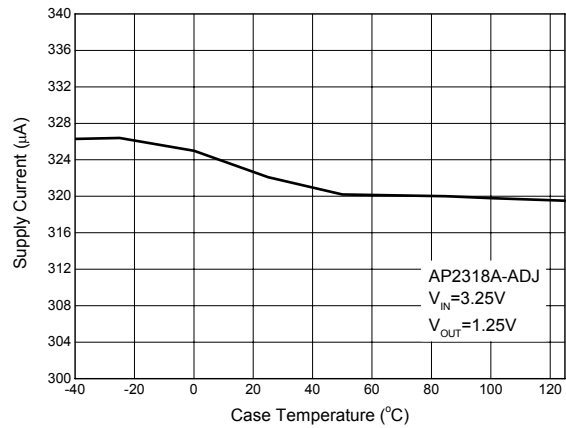


Figure 7. Supply Current vs. Case Temperature



**1A ULDO REGULATOR WITH ENABLE**

**AP2318A**

**Typical Performance Characteristics(Continued)**

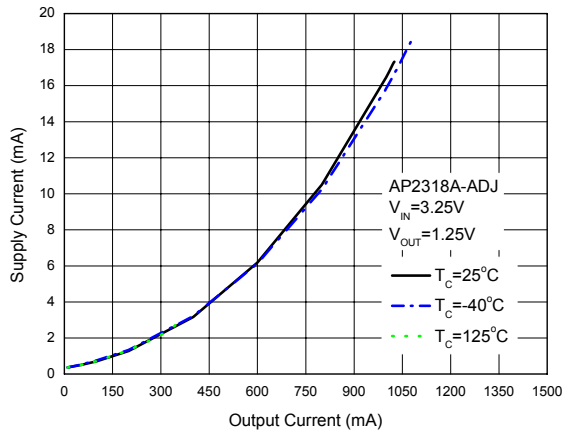


Figure 8. Supply Current vs. Output Current

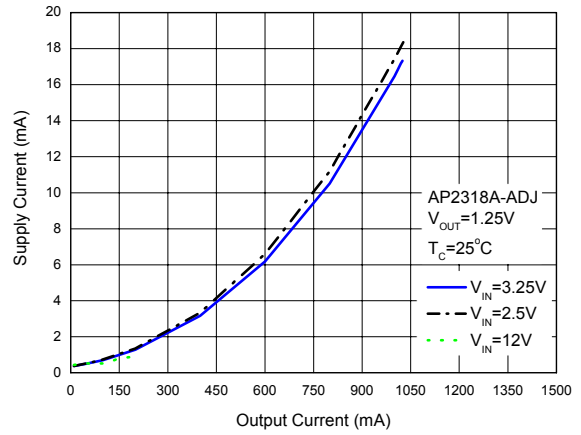


Figure 9. Supply Current vs. Output Current

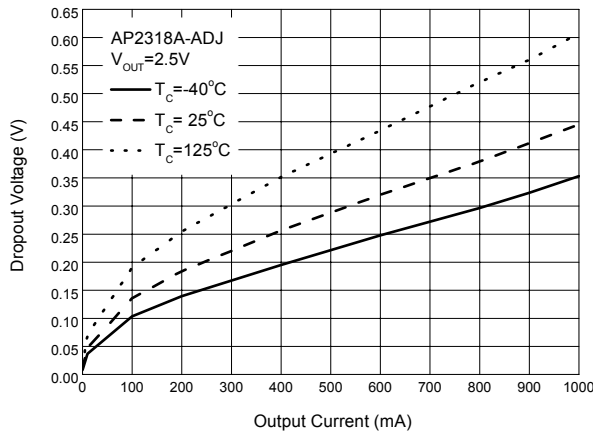


Figure 10. Dropout Voltage vs. Output Current

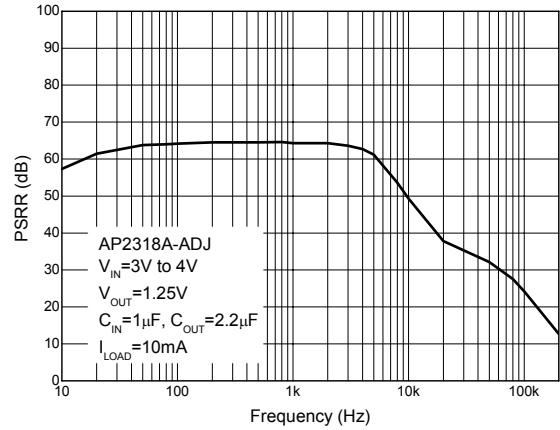


Figure 11. PSRR vs. Frequency



Typical Performance Characteristics (Continued)

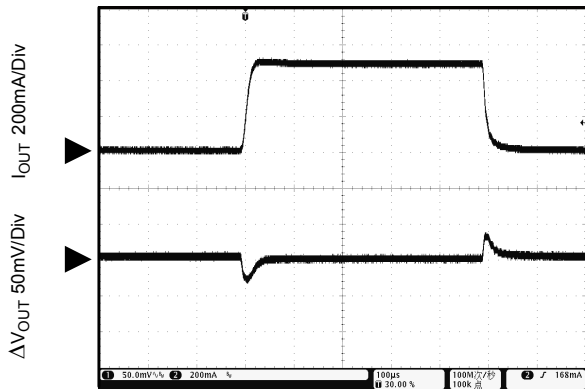


Figure 12. Load Transient Response  
 $V_{IN}=2.5V$ ,  $V_{OUT}=1.25V$ ,  $I_{OUT}=1$  to  $500mA$ ,  
 $C_{IN}=1\mu F$ ,  $C_{OUT}=2.2\mu F$

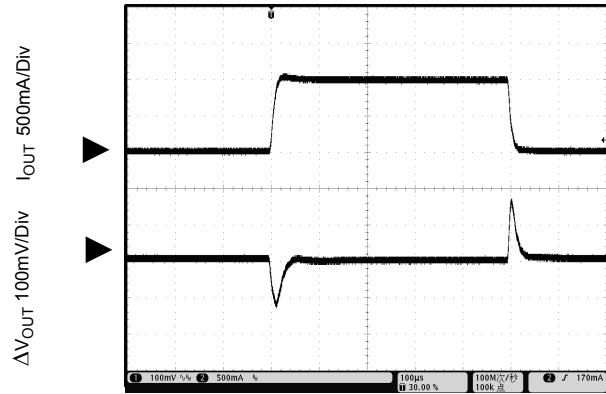


Figure 13. Load Transient Response  
 $V_{IN}=2.5V$ ,  $V_{OUT}=1.8V$ ,  $I_{OUT}=1mA$  to  $1A$ ,  
 $C_{IN}=1\mu F$ ,  $C_{OUT}=2.2\mu F$

**Typical Application**

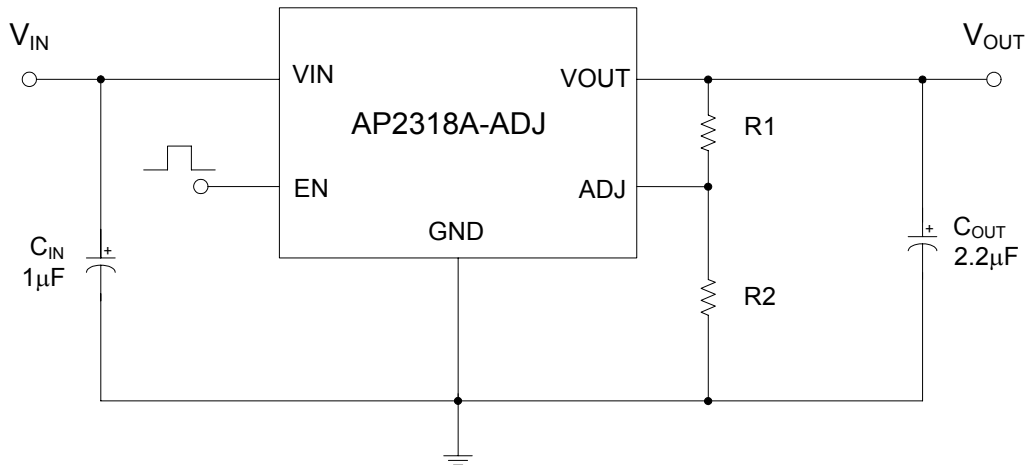


Figure 14. Typical Application of AP2318A ADJ Version,  $V_{OUT}=1.25*(R1+R2)/R2$



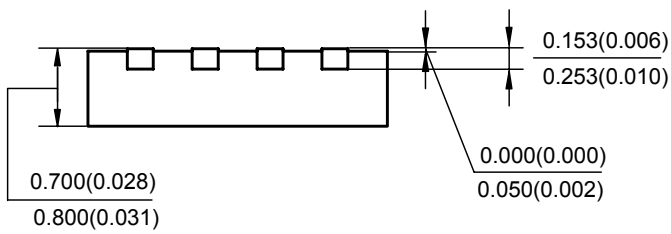
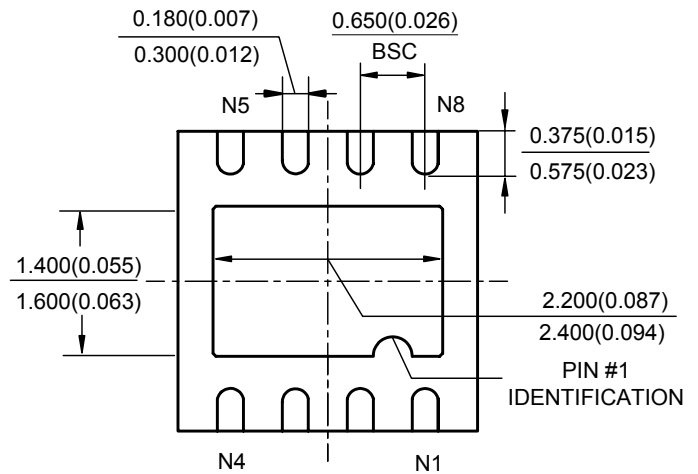
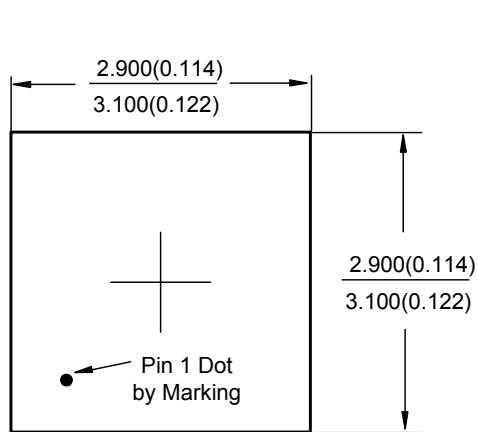
**1A ULDO REGULATOR WITH ENABLE**

**AP2318A**

**Mechanical Dimensions**

**DFN-3x3-8**

**Unit: mm(inch)**



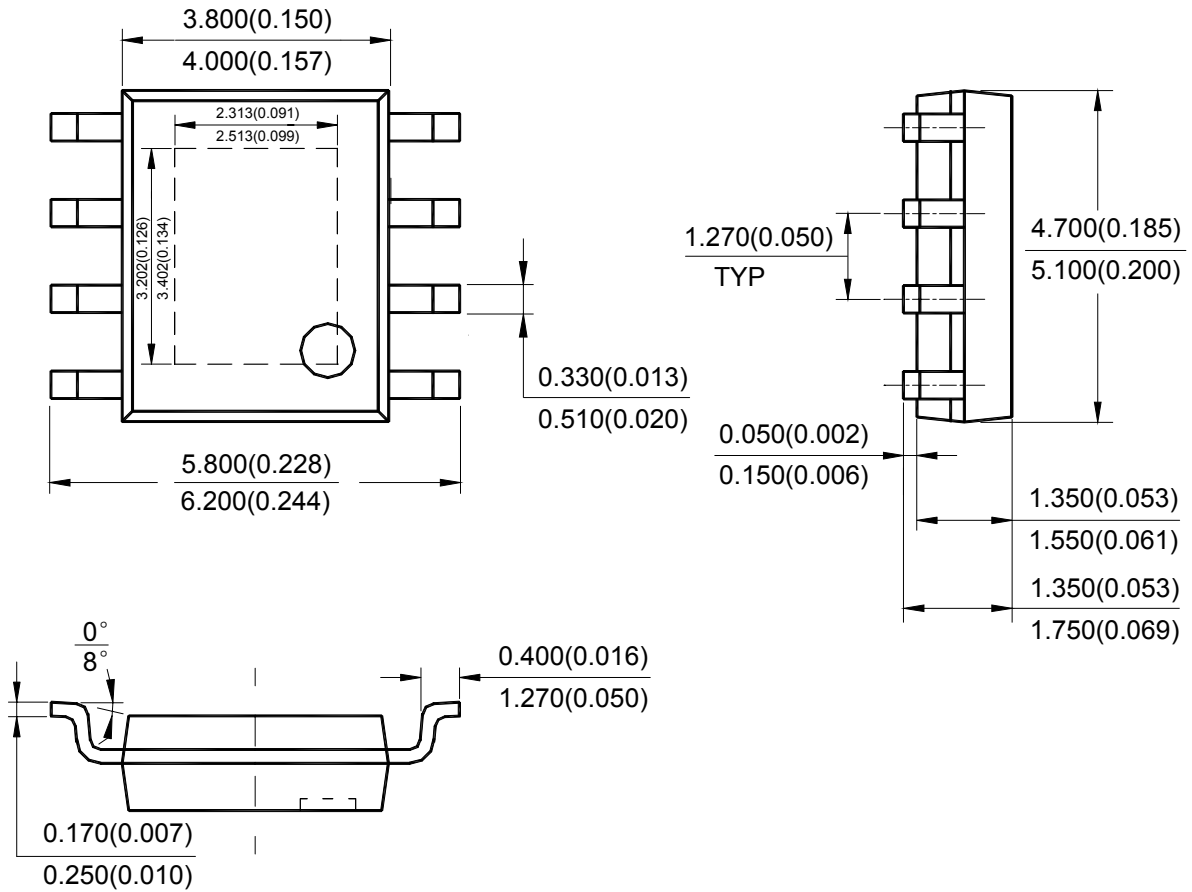
**1A ULDO REGULATOR WITH ENABLE**

**AP2318A**

**Mechanical Dimensions (Continued)**

**PSOP-8**

**Unit: mm(inch)**



Note: Eject hole, oriented hole and mold mark is optional.



## **BCD Semiconductor Manufacturing Limited**

<http://www.bcdsemi.com>

### **IMPORTANT NOTICE**

BCD Semiconductor Manufacturing Limited reserves the right to make changes without further notice to any products or specifications herein. BCD Semiconductor Manufacturing Limited does not assume any responsibility for use of any its products for any particular purpose, nor does BCD Semiconductor Manufacturing Limited assume any liability arising out of the application or use of any its products or circuits. BCD Semiconductor Manufacturing Limited does not convey any license under its patent rights or other rights nor the rights of others.

---

#### **MAIN SITE**

##### **- Headquarters**

##### **BCD Semiconductor Manufacturing Limited**

No. 1600, Zi Xing Road, Shanghai ZiZhu Science-based Industrial Park, 200241, China  
Tel: +86-21-24162266, Fax: +86-21-24162277

##### **- Wafer Fab**

##### **Shanghai SIM-BCD Semiconductor Manufacturing Co., Ltd.**

800 Yi Shan Road, Shanghai 200233, China  
Tel: +86-21-6485 1491, Fax: +86-21-5450 0008

#### **REGIONAL SALES OFFICE**

##### **Shenzhen Office**

##### **Shanghai SIM-BCD Semiconductor Manufacturing Co., Ltd., Shenzhen Office**

Unit A Room 1203, Skyworth Bldg., Gaoxin Ave. 1.S., Nanshan District, Shenzhen, China  
Tel: +86-755-8826 7951  
Fax: +86-755-8826 7865

##### **Taiwan Office**

##### **BCD Semiconductor (Taiwan) Company Limited**

4F, 298-1, Rui Guang Road, Nei-Hu District, Taipei, Taiwan  
Tel: +886-2-2656 2808  
Fax: +886-2-2656 2806

##### **USA Office**

##### **BCD Semiconductor Corp.**

30920 Huntwood Ave. Hayward, CA 94544, USA  
Tel : +1-510-324-2988  
Fax: +1-510-324-2788