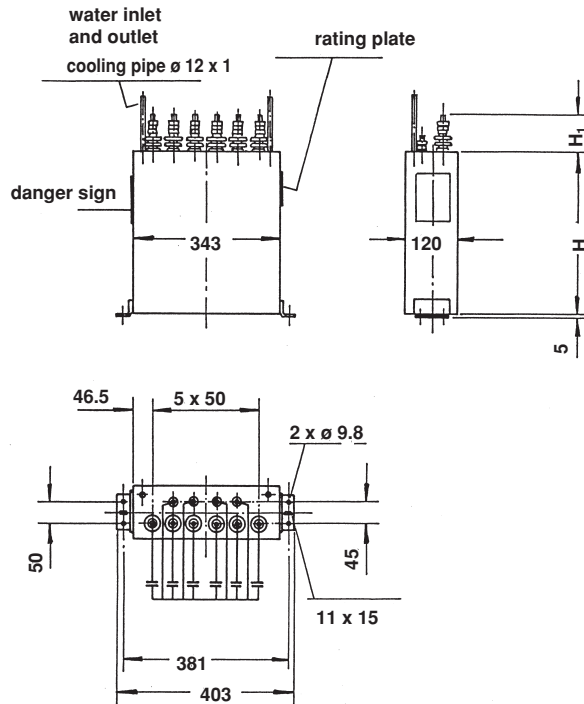


Medium Frequency Capacitors, Water Cooled

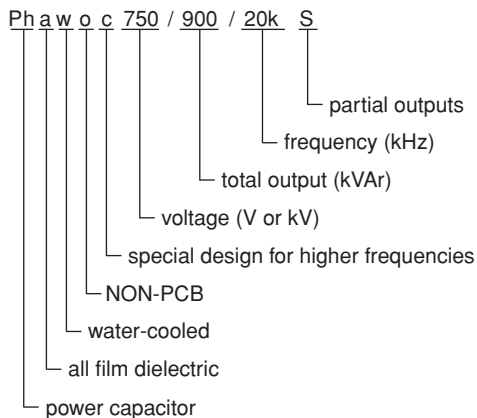
**ESTAFilm[®], SUBDIVIDED IN PARTIAL OUTPUTS,
10000 – 100000Hz**

DESIGN

- All-film windings in brass sheet welded casing;
- Extremely low-inductance version;
- Casing conductive;
- Casing varnish RAL 7033;
- 6 equal partial outputs;
- IP00, indoor;
- Ambient temperature 1°C 50°C;
- Outflowing water temperature 40°C maximum;
- Water tubing conductive;
- 4 casing connection bolts M12 x 30mm;
- Partial outputs with connection bolts M12 or M20 (depending on application current).



TYPE DESIGNATION





10000-100000Hz SUBDIVIDED IN PARTIAL OUTPUTS					
F_N (Hz)	U_N (V)	Q_N (kVAr)	C_N (μF)	I_N (A)	H (mm)
10000	500	980	62.4	1960	300
	650	1280	48.2	1969	250
	750	1470	41.6	1960	250
	1000	1970	31.4	1970	250
20000	500	900	28.7	1800	250
	650	1170	22.0	1800	250
	750	1350	19.1	1800	250
	1000	1800	14.3	1800	200
30000	500	840	17.8	1680	250
	650	1100	13.8	1692	200
	750	1270	12.0	1693	200
	1000	1700	9.0	1700	250
40000	500	810	12.9	1620	200
	650	1050	9.9	1615	200
	750	1220	8.6	1627	250
	1000	1620	6.4	1620	200
50000	500	780	9.9	1560	200
	650	1020	7.7	1569	200
	750	1170	6.6	1560	200
	1000	1570	5.0	1570	200
60000	500	760	8.1	1520	200
	650	990	6.2	1523	200
	750	1140	5.4	1520	200
	1000	1520	4.0	1520	200
80000	500	720	5.7	1440	200
	650	940	4.4	1446	200
	750	1090	3.9	1453	200
	1000	1450	2.9	1450	250
100000	500	700	4.5	1400	200
	650	910	3.4	1400	200
	750	1050	3.0	1400	250

Shown are the maximum power ratings, other power ratings, voltages, and frequencies on request.



Disclaimer

All product specifications and data are subject to change without notice.

Vishay Intertechnology, Inc., its affiliates, agents, and employees, and all persons acting on its or their behalf (collectively, "Vishay"), disclaim any and all liability for any errors, inaccuracies or incompleteness contained herein or in any other disclosure relating to any product.

Vishay disclaims any and all liability arising out of the use or application of any product described herein or of any information provided herein to the maximum extent permitted by law. The product specifications do not expand or otherwise modify Vishay's terms and conditions of purchase, including but not limited to the warranty expressed therein, which apply to these products.

No license, express or implied, by estoppel or otherwise, to any intellectual property rights is granted by this document or by any conduct of Vishay.

The products shown herein are not designed for use in medical, life-saving, or life-sustaining applications unless otherwise expressly indicated. Customers using or selling Vishay products not expressly indicated for use in such applications do so entirely at their own risk and agree to fully indemnify Vishay for any damages arising or resulting from such use or sale. Please contact authorized Vishay personnel to obtain written terms and conditions regarding products designed for such applications.

Product names and markings noted herein may be trademarks of their respective owners.