

Right-angle SMT type 15-contacts male board connector RMCF-E15LMY-OM()-MC()

Connector for CF card

For PCB

Right-angle SMT



● Configuration of product Part No.

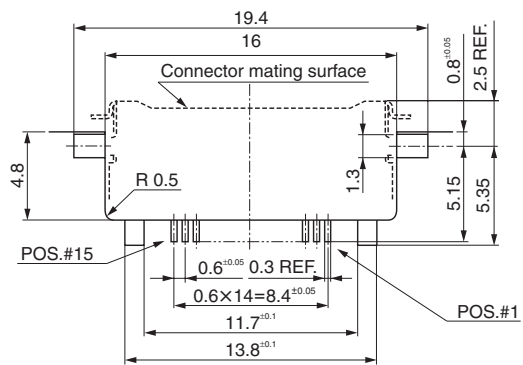
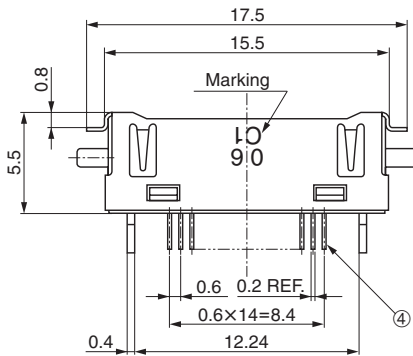
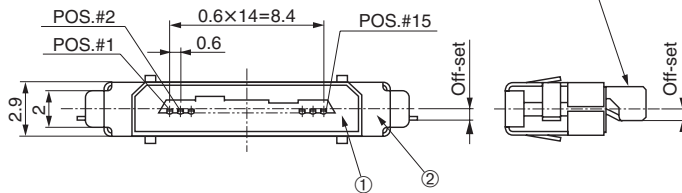
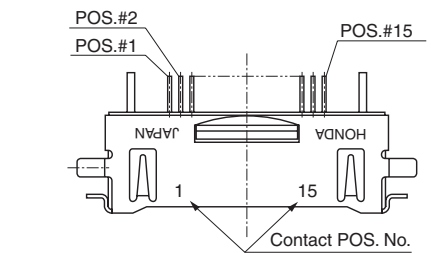
RMCF- E 15 LMY- OM()- MC()

① ② ③ ④ ⑤ ⑥

- ① Series name
- ② E: EMI-filtered
- ③ No. of contacts: 15
- ④ LMY: SMT type, male
- ⑤ Off-set
OM02: 0.2 mm
OM06: 0.6 mm
- ⑥ MC(): Forms and position of polarization key

● Position of polarization key

Part No.	Key position	Marking	Mating connectors
RMCF-E15LMY-OM()-MC	-		RMCF-E15LA-MC()
RMCF-E15LMY-OM()-MC1	1		RMCF-E15LA-MC2
RMCF-E15LMY-OM()-MC2	2		RMCF-E15LA-MC1



PCB layout for reference only
t= 0.5 mm

● Components

①	Insulator
②	Shell
③	Locking devise used with hold-down
④	Male contacts

- Some models may not be quickly supplied depending on the configuration of part number (key position and off-set dimension). For the availability of the model required, consult your supplier.
- Connectors without positioning mechanism are also available, please contact us.

● Dimensions

Part No.	Off-set
RMCF-E15LMY-OM02-MC()	0.2
RMCF-E15LMY-OM06-MC()	0.6

Mating connectors: Refer to the table Shown