

NOTE 1.CONTACT PLATING
 Au(0.1μm MIN.) OVER
 Pd/Ni(1μm MIN.) ON MATING AREA,
 TIN/LEAD ON TERMINATION AREA,
 ALL OVER NICKEL UNDERPLATED.

2.COPLANARITY OF SMT TERMINAL
 IS 0±0.05 mm

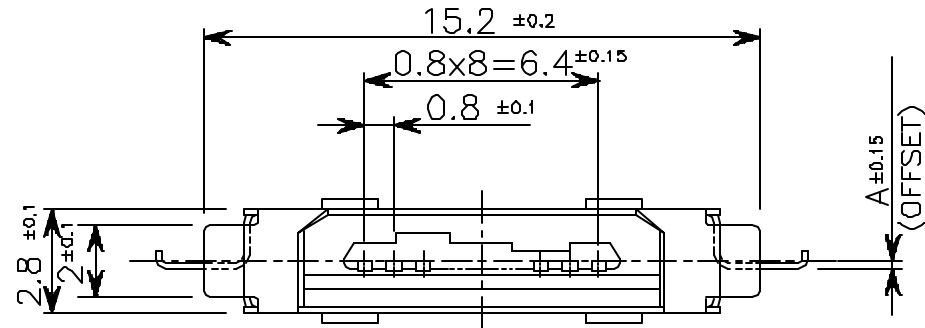
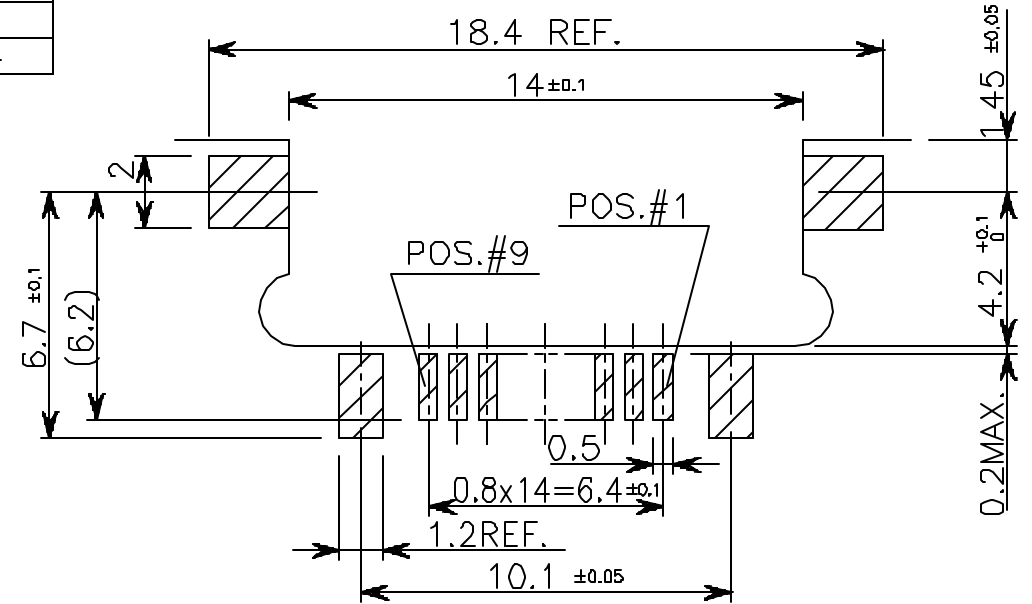
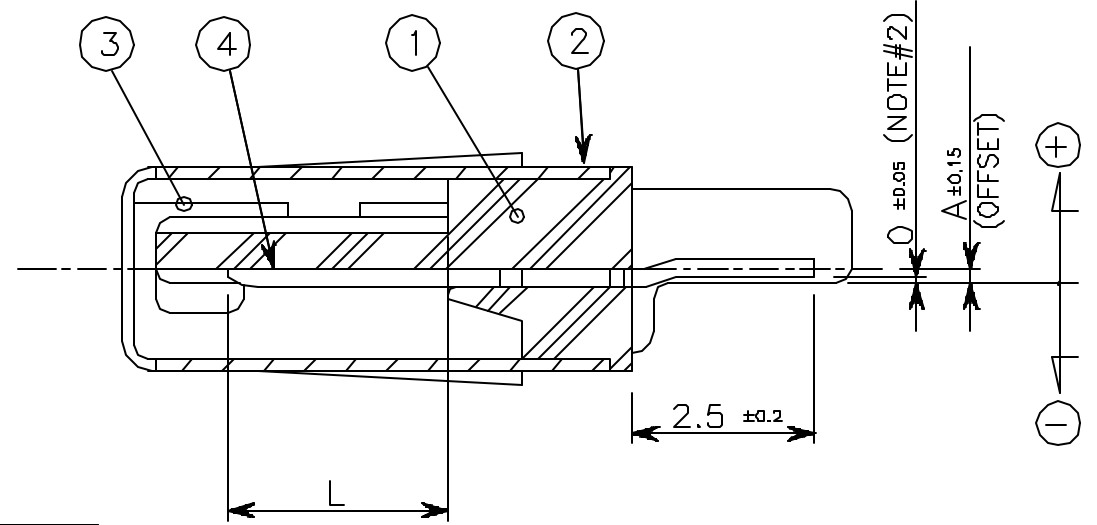
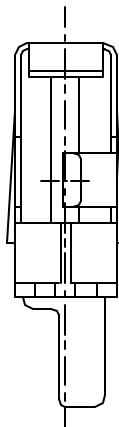
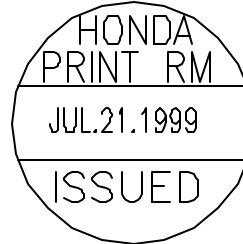
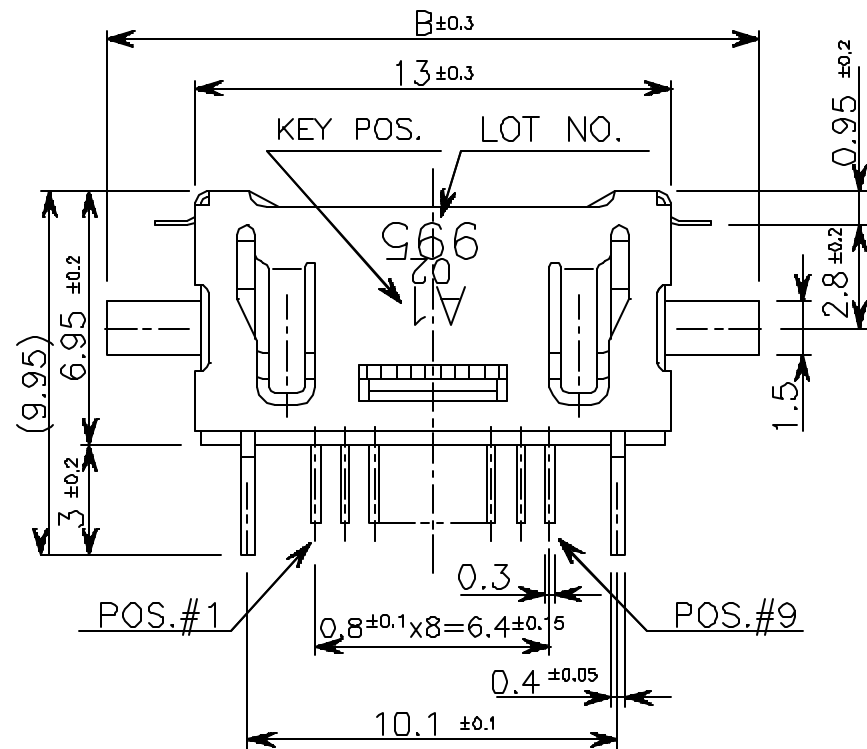


TABLE-2

P/N	A OFFSET	B DIM.	P.C.B. THICKNESS
RMC-E9M2YN-OM02-MA()	0.2	17.8	0.5
*RMC-E9M2YN-OM03-MA()	0.3	17.6	0.5
*RMC-E9M2YN-OM05-MA()	0.5	17.2	0.5
*RMC-E9M2YN-OM06-MA()	0.6	17.0	0.5
*RMC-E9M2YN-OM08-MA()	0.8	16.6	0.4

*:THEIR CONFIGURATIONS ARE IN THE PLANING STAGE



RECOMMENDED P.C.B LAYOUT(5/1)
 (CONN. MOUNT SIDE) t=REFER TO TABLE-2

TABLE-1

P/N	KEY POS.	MARKING (KEY POS.)	APPLICABLE CONNECTOR
RMC-E9M2YN-OM()-MA2	2	A2	RMC-E9E5-BSLA()N-MA1 RMC-E9E2S-BSLA()N-MA1 AND OTHERS
RMC-E9M2YN-OM()-MA1	1	A1	RMC-E9E5-BSLA()N-MA2 RMC-E9E2S-BSLA()N-MA2 AND OTHERS
RMC-E9M2YN-OM()-MA	NOTHING	A	RMC-E9E5-BSLA()N-MA() RMC-E9E2S-BSLA()N-MA() AND OTHERS

LTR.	DATE	BY	REV.	DESCRIPT	NO.	PART NAME	MATERIAL	QTY	FINISH	NOTE
					4	CONTACT	PHOSPHOR BRONZE	9	NOTE#1	
					3	LOCKING DEVICE	STAINLESS STEEL	2		
					2	SHELL	STAINLESS STEEL	1		
					1	INSULATOR	PPS(GF)	1		UL94V-0 BLACK

DATE	SCALE	UNIT	3RD . A . P	HONDA TSUSHIN KOGYO., LTD.	
JUN.21(1999)	5/1	mm(INCH)		DR.	IE.
APP. DATE & REV.				CHK.	CHK.
				APP.	
				NAME	
				PART NO.	