

Right-angle SMT type modular jack for PCB
MOD-SJ88YA()A+

Modular connector
For PCB
Right-angle SMT
FCC

RoHS

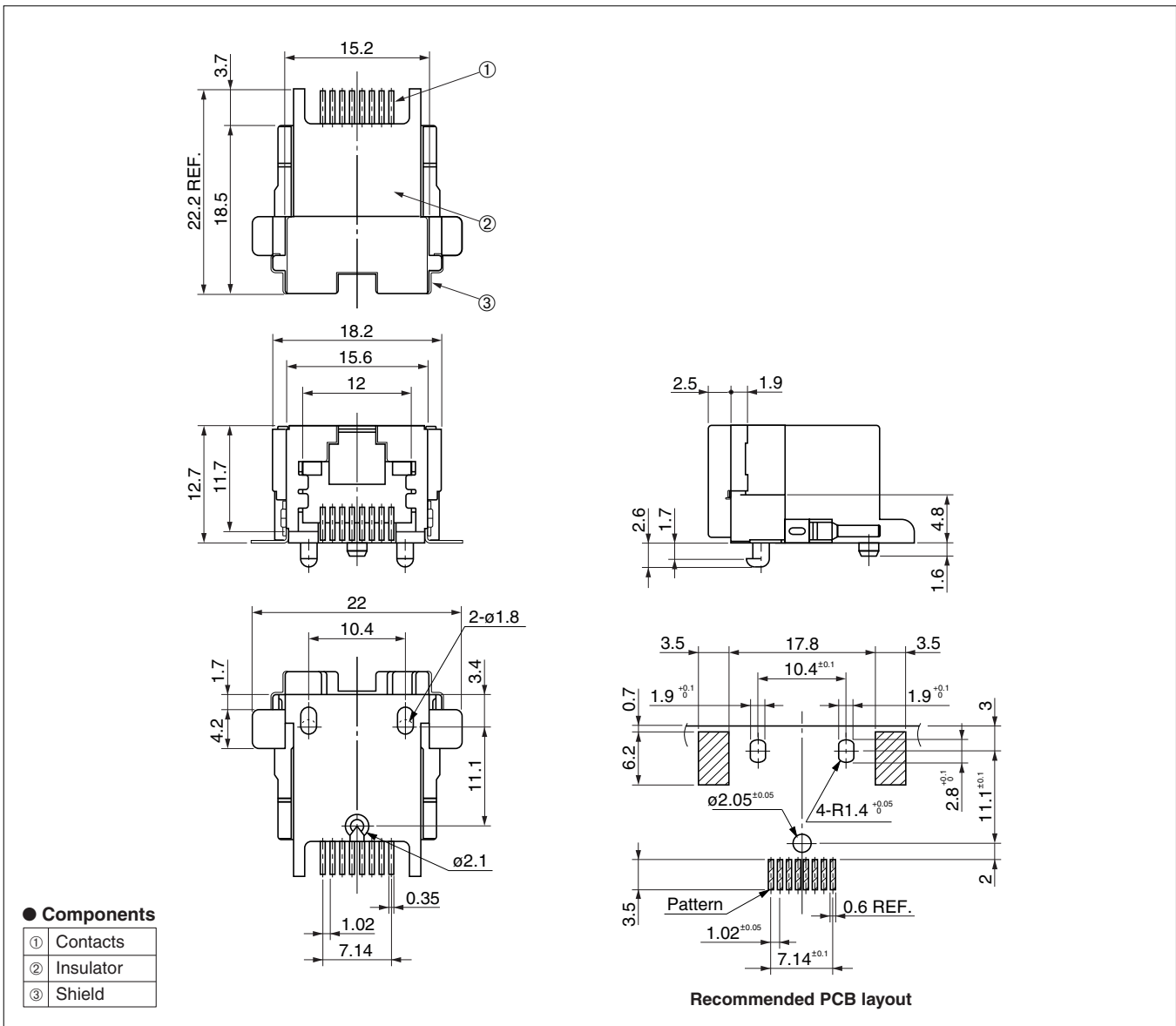


● Configuration of product Part No.

MOD- SJ88 YA () A+

① ② ③ ④

- ① Series name
- ② 8-8 Jack with shield
- ③ Type of contact
Right-angle SMT type
- ④ Contact plating
02: Min. 0.2 μm Gold plate
07: Min. 0.76 μm Gold plate
12: Min. 1.27 μm Gold plate



Mating connectors: 8-8 modular plug