



Commercial CCT-59

Multi-Throw Internal Terminations DC-26.5GHz

Latching

The CCT-59 Switch is a Internally Terminated broadband, multi-throw, electromechanical coaxial switch designed to switch a microwave signal from a common input to any of 3, 4, 5, or 6 outputs. The characteristic impedance is 50 Ohms. Internal terminations provide an impedance match for the unselected ports. The switches are small using the popular connector spacing on a 1.062" dia. circle. Each position has an individual actuator mechanism allowing random position selection. This also minimizes switching time.

Specifications

RF Contacts:

Break before make

Actuator

Voltage (VDC) 20°C	12	15	28	
Latching Current (mA)	255	205	90	
Reset Current (mA)	Positions	3	765	615
		4	1020	820
		5	1275	1025
		6	1530	1230

Switching Time:

20 msec max

Terminations:

50 Ohm 2 Watts CW max

Connectors:

SMA (f)

Weight:

6 oz. max

Temperature Range: -40°C to +65°C (Operating)

The CCT-59 comes with a latching actuator. The latching switch remains in the last position selected when the switch is de-energized. STD dual command requires a reset pulse before a new selected position. A separate reset circuit allows all positions to be set to an open position. User must provide both reset (clear) and set (select new position) commands.

Shock:

MIL-STD-202 Method 213, Condition D (500G Non Operating)

Vibration:

MIL-STD-202 Method 214, Condition D (10G RMS Non Operating)

Humidity:

Moisture Seal Available

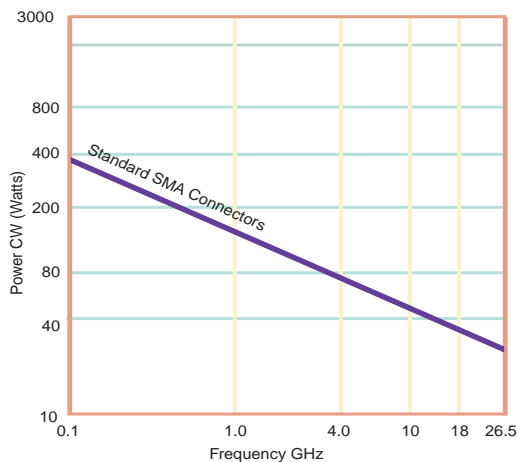
Typical Contact Life: 5 Million Cycles

Insertion Loss Repeatability (1 Million Cycles):

DC to 6 GHz: 0.05 dB

DC to 20 GHz: 0.1 dB

RF Power Handling (Non-Terminated)

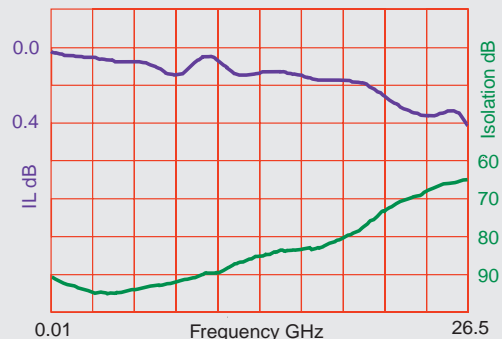
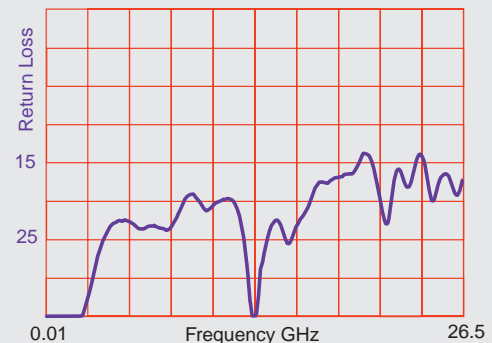


Specifications

VSWR (max)
Insertion Loss (min)
Isolation (max)

	DC-6 GHz	6-12 GHz	12-18 GHz	18-26.5 GHz
VSWR (max)	1.25:1	1.40:1	1.50:1	1.80:1
Insertion Loss (min)	0.20 dB	0.40 dB	0.50 dB	0.80 dB
Isolation (max)	70.0 dB	60.0 dB	60.0 dB	50.0 dB

Typical Performance



TELEDYNE
COAX SWITCHES

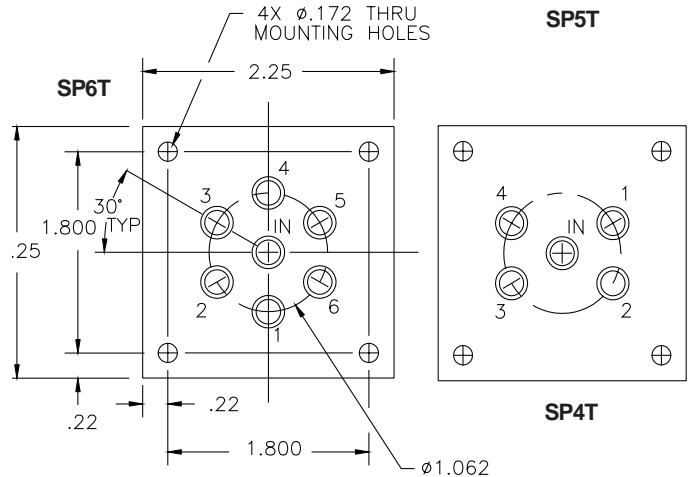
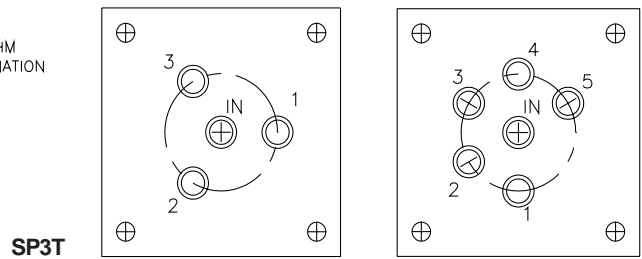
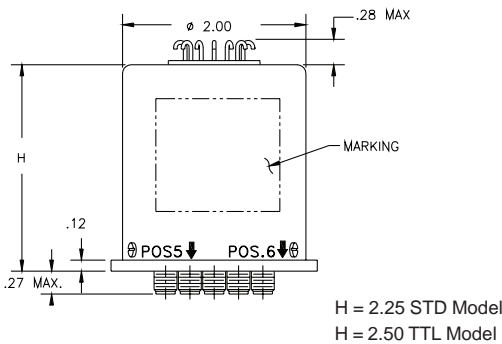
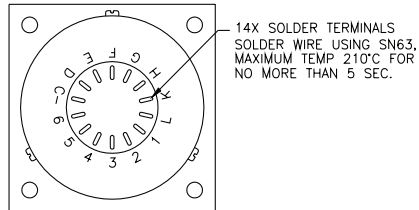
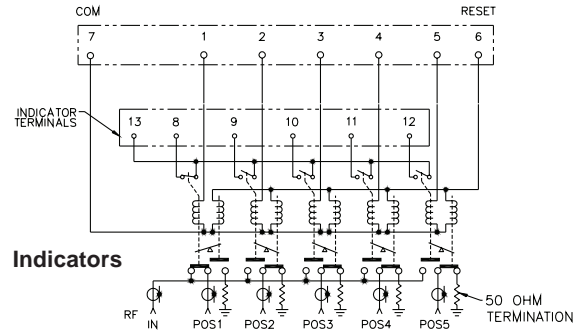
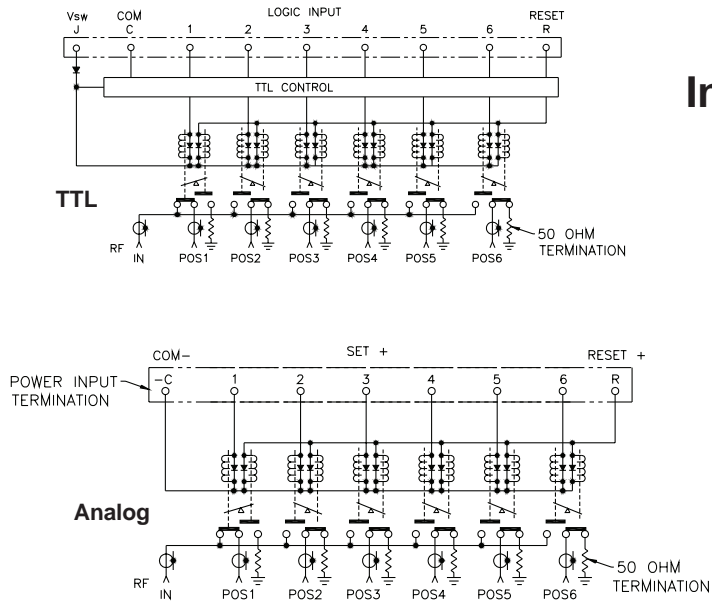
Specifications subject to change without notice.

www.teledynecoax.com
email: coax@teledyne.com

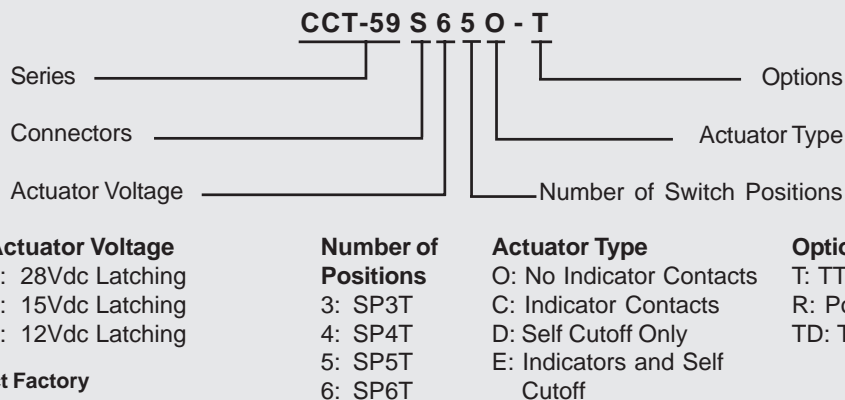
Tel: (800) 351-7368

10/2007

Commercial CCT-59 Multi-Throw Internal Terminations DC-26.5GHz Latching



Part Numbering System for CCT-59 (Latching)



Connector	Actuator Voltage	Number of Positions	Actuator Type	Options
S: SMA Female	6: 28Vdc Latching 7: 15Vdc Latching 8: 12Vdc Latching	3: SP3T 4: SP4T 5: SP5T 6: SP6T	O: No Indicator Contacts C: Indicator Contacts D: Self Cutoff Only E: Indicators and Self Cutoff	T: TTL Drivers with Diodes R: Positive + Common TD: TTL Driver with Decoder

For other options contact Factory



Specifications subject to change without notice.

www.teledynecoax.com
email: coax@teledyne.com

Tel: (800) 351-7368
10/2007