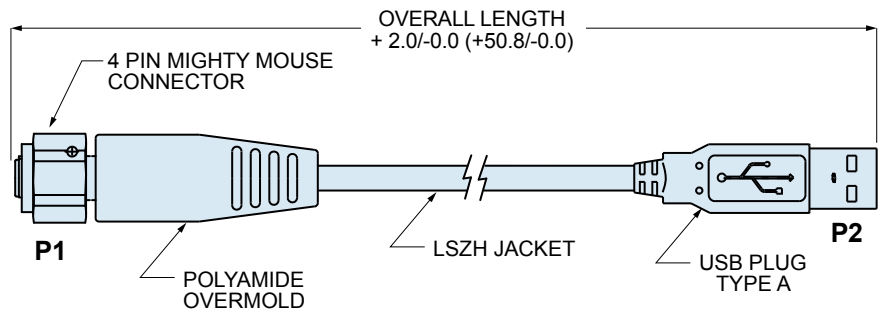


# Series 80 Mighty Mouse USB 2.0 Cordsets

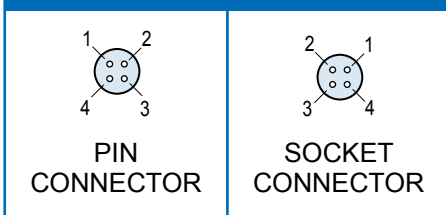


## Cordset, USB Type A Plug to Mighty Mouse Connector

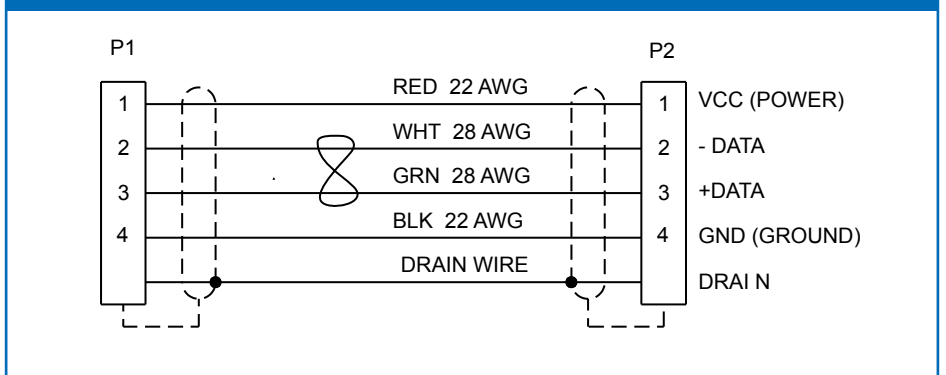
These USB 2.0 cordsets have a standard USB type A plug on one end and a ruggedized Mighty Mouse plug on the other end. Low smoke zero halogen cable is UL VW-1 rated. #22 AWG power leads provide maximum current and low resistance. #28 AWG twisted pair data leads help reduce crosstalk. Rugged flexible molded cable ends provide strain relief and ingress protection. 100% tested for continuity and insulation resistance.



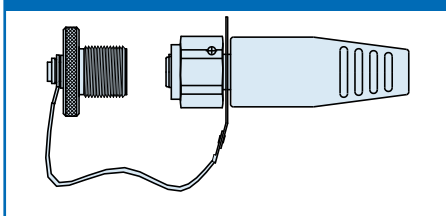
### P1 PINOUTS



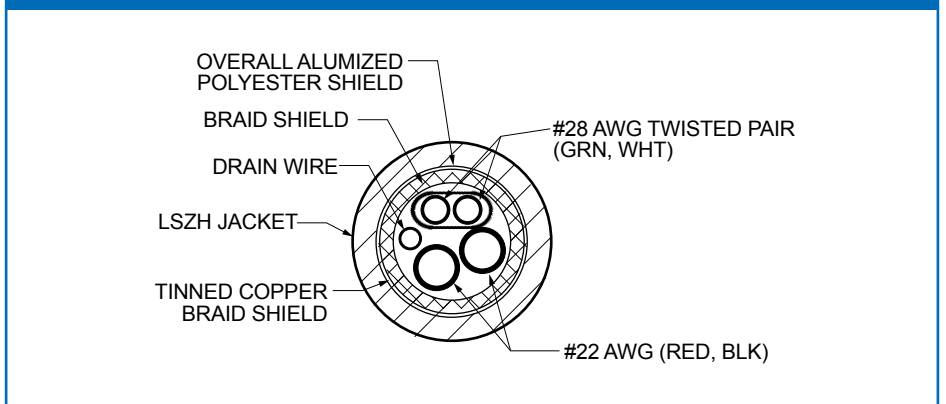
### WIRING DIAGRAM



### OPTIONAL COVER



### USB CABLE CONSTRUCTION








Dimensions in inches (millimeters) and are subject to change without notice.



# Series 80 Mighty Mouse USB 2.0 Cordsets

## MIGHTY MOUSE TO USB TYPE A PLUG CORDSET

Sample Part Number					
801-028	A	ZNU	N	A	-72
Connector Series	Connector Type	Shell Material / Finish	Protective Cover	Shell Pol. Pos.	Overall Length
 <b>800-036</b> Series 800 Cordset, UNF Threaded Coupling, Hex Nut	<b>A</b> Plug, with Male Pin Contacts	<b>M</b> Aluminum / Electroless Nickel	<b>P</b> Metal Protective Cover, with Lanyard (for Mighty Mouse Connector)	Polarizing position depends on the connector series.	Overall Length In Inches
 <b>801-028</b> Series 801 Cordset, Double-Start Threaded Coupling	<b>B</b> Plug, with Female Socket Contacts  <b>C</b> Receptacle, with Male Pin Contacts	<b>NF</b> Aluminum / Cadmium with Olive Drab  <b>ZNU</b> Aluminum / Zinc-Nickel with Black Chromate	<b>N</b> No Covers Supplied	<b>For Series 800 and 803:</b> N (Normal), X, Y or Z	<b>18</b> <b>36</b> <b>72</b> <b>120</b>
 <b>803-011</b> Series 803 Cordset, Push-Pull With Bayonet Lock Coupling	<b>D</b> Receptacle, with Female Socket Contacts	<b>MT</b> Aluminum / Nickel-PTFE  <b>Z1</b> Stainless Steel / Passivated		<b>For Series 805:</b> A (Normal), B, C, D  <b>For Series 804:</b> Omit (Leave Blank) for Single Master Key A (Normal), B, C, D	
 <b>804-016</b> Series 804 Cordset, Quick-Disconnect Push-Pull					
 <b>805-012</b> Series 805 Cordset, Tri-Start Threaded Coupling with Ratchet and Ground Spring					

Dimensions in inches (millimeters) and are subject to change without notice.

© 2010 Glenair, Inc.

CAGE Code 06324

Printed in U.S.A.

**GLENAIR, INC. • 1211 AIR WAY • GLENDALE, CA 91201-2497 • 818-247-6000 • FAX 818-500-9912**

www.glenair.com

**K-12**

E-Mail: sales@glenair.com

01-JANUARY-2010