



Mini Din Series Connector, Right Angle P.C.B Mount, Female

Materials

Contact:

Phosphor Bronze

Insulator:

Polyester, Glass-filled

UL 94V-0, Black

Shell:

Steel Strip, Tin Plated,
150 uinches, Minimum

Finishes

Selective Au plating over
50 uinches Ni undercoat.

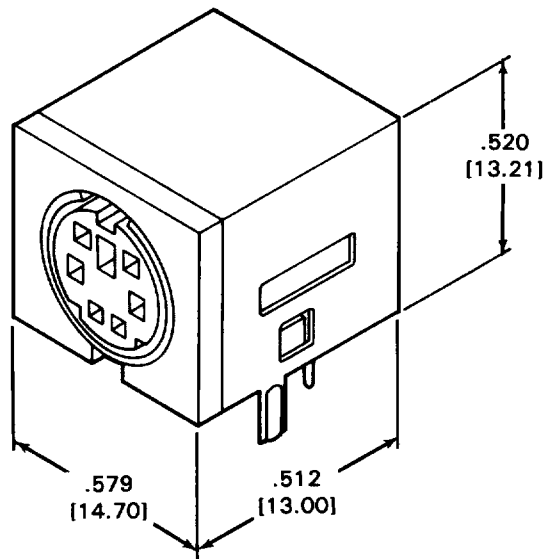
Contact:

Code A Plating -
Au Flash

Code B Plating -
30 uinches Au

Notes:

Consult our factory
specialists for your
specific design needs.



CONTACT POSITION	PLATING CODE	GROUNDING TYPE	
		WITHOUT SHIELD	WITH SHIELD
3	A	311-131-102	311-131-112
	B	311-131-302	311-131-312
4	A	311-141-102	311-141-112
	B	311-141-302	311-141-312
5	A	311-151-102	311-151-112
	B	311-151-302	311-151-312
6	A	311-161-102	311-161-112
	B	311-161-302	311-161-312
7	A	311-171-102	311-171-112
	B	311-171-302	311-171-312
8	A	311-181-102	311-181-112
	B	311-181-302	311-181-312
9	A	311-191-102	311-191-112
	B	311-191-302	311-191-312