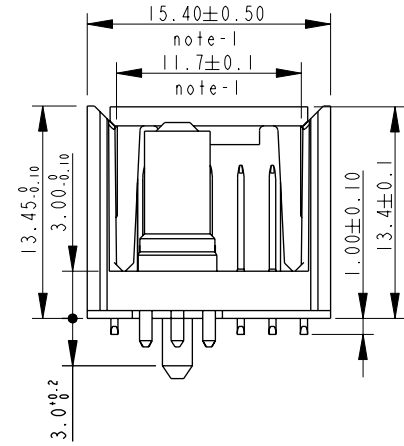
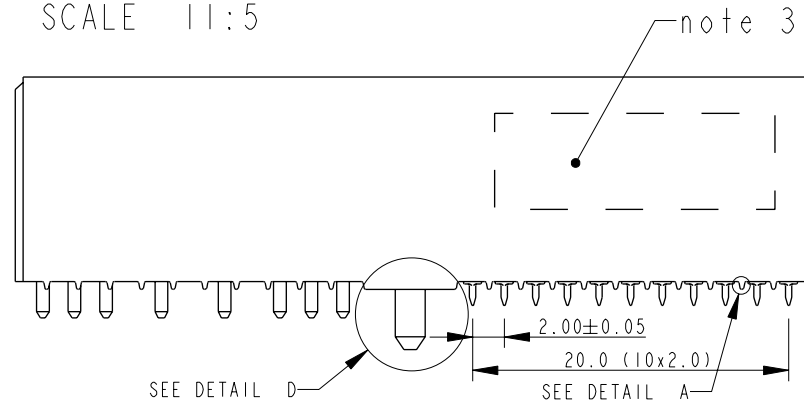


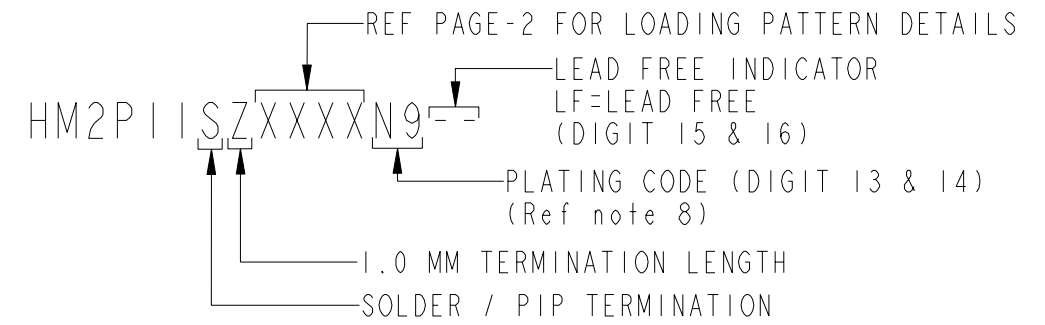
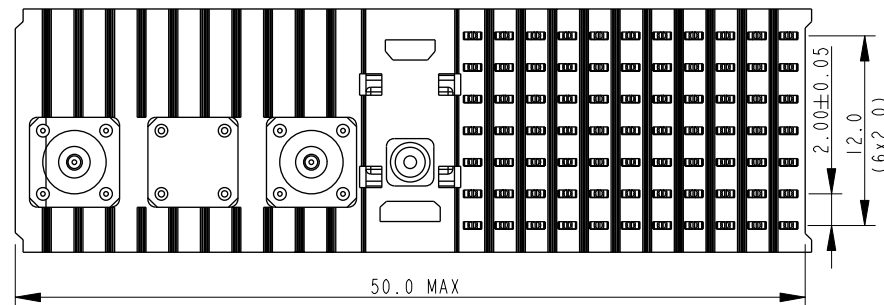
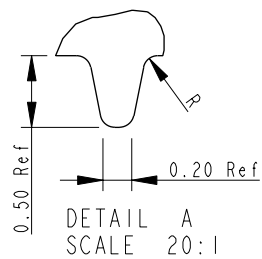
LOADED CONNECTOR ASSEMBLY
(For Eg. HM2PIISZ5001----



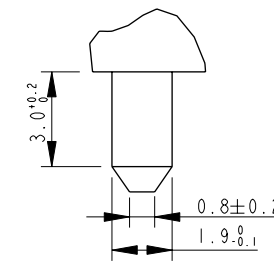
SCALE 11:5



STAND-OFF DETAILS



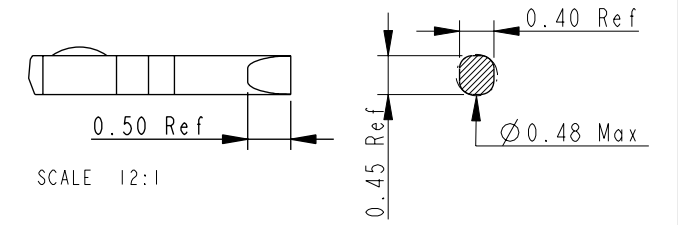
GUIDING PEG DETAILS



DETAIL D
SCALE 22:5

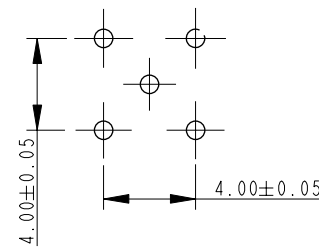
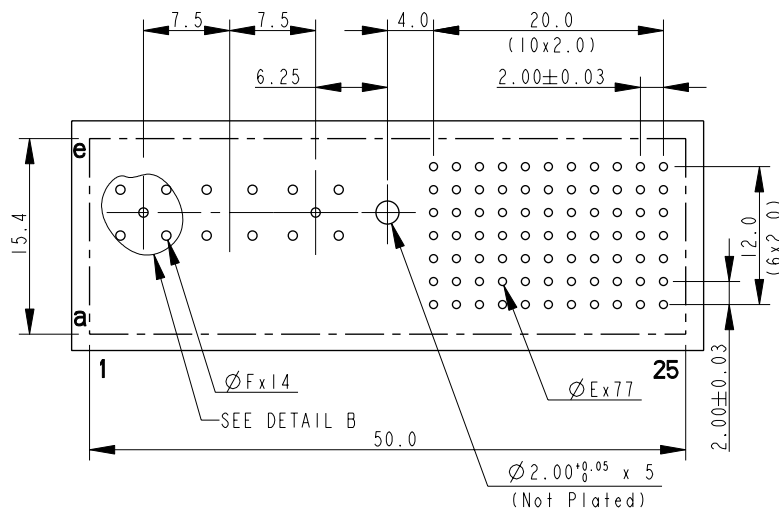
SOLDER TAIL DETAILS

TRUE POSITION = $\oplus 0.05$



SCALE 12:1

PCB LAYOUT & HOLE DIMENSIONS



DETAIL B
SCALE 16:5

NOTES :

- MEASURED AT THE BOTTOM
- MATERIAL CONTACT : PHOSPHOR BRONZE
HOUSING : HIGH TEMPERATURE POLYMER - BLACK
- CONNECTOR PRINTED WITH P/N AND DATE CODE
- FOR ACTUAL CONTACT LOADING, SEE LOADING PATTERN MATING SIDE
- THE SOLDER CONTENT IN THE PASTE SHOULD BE SUFFICIENT TYPICALLY 50% VOLUME PERCENTAGE. THE SCREEN PRINTING PROCESS (ANGLE, SPEED, PRESSURE ETC) MUST BE OPTIMISED SO THAT ENOUGH SOLDER IS AVAILABLE. (PASTE THICKNESS = 0.15MM)
- THE PRODUCT (LF) MEETS EUROPEAN UNION DIRECTIVES AND OTHER COUNTRY REGULATIONS AS DESCRIBED IN GS-22-008
- THIS PRODUCT WITHSTANDS 260°C FOR 10 SECS FOR PIN IN PASTE APPLICATION
- PLATING DETAILS:
TERMINATION SIDE : Sn (MATT FINISH)
CONTACT SIDE : N9 (IEC PERFORMANCE LEVEL 2)
- MISSING INFORMATION & DIMENSIONS PER IEC 61076-4-101
- POWER CONTACT INTERFACE ACCORDING TO DIN 41612 & COAX CONTACT INTERFACE ACCORDING TO DIN 41626 SPEC



Copyright FCI.

Dim	Finished Hole Dia	Cu Thickness	Sn Thickness	Drilled Hole Dia
E	0.65 - 0.80	0.025 - 0.050	0.008 - 0.012	0.72 - 0.92
F	0.92 - 1.08	0.025 - 0.050	0.008 - 0.012	0.99 - 1.200

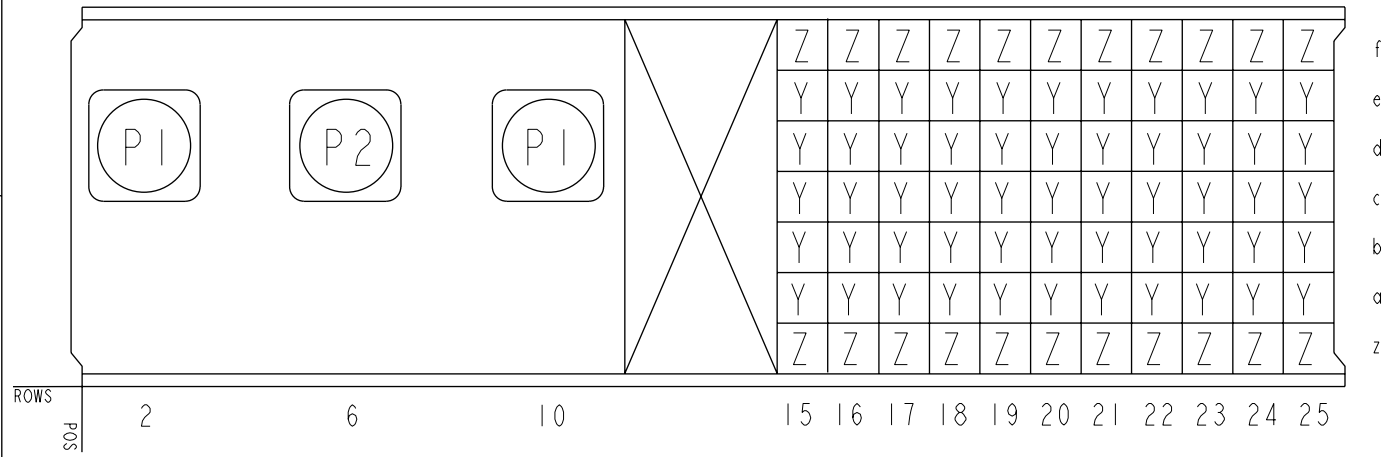
True Position (All Holes) = $\oplus 0.05$

rev	ecn no	dr	date
A	107-0103	AB	2009-01-06
-	-	-	-
-	-	-	-
-	-	-	-
-	-	-	-

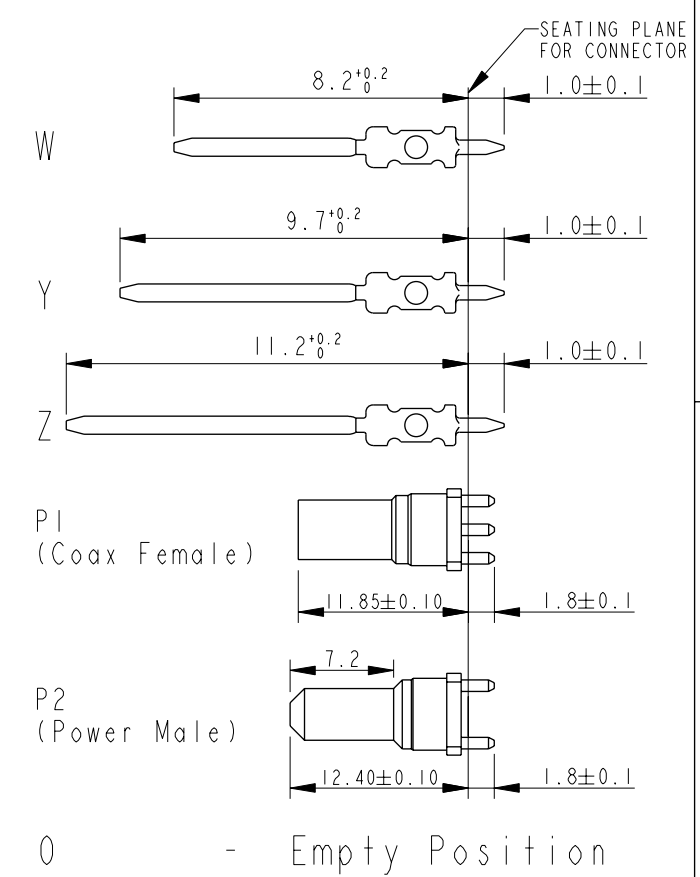
www.fciconnect.com		surface - <input checked="" type="checkbox"/> ISO 1302	tolerance std ISO 406 ISO 1101	projection \oplus	mm
TOLERANCES UNLESS OTHERWISE SPECIFIED					
Dr	Alex Babu	2007-08-24	ANGULAR	0.X ±0.2	size A3 Scale 1:1
Eng	Alex Babu	2007-08-24	LINEAR	0.XX ±0.1	ECN 107-0103
Chr	Biju K Paul	2007-08-24	0° ±1°	0.XXX ±0.05	
Appr	Biju K Paul	2007-08-24	Product family	MILLIPACS	Spec ref -
FCI		title MILLIPACS TYPE-M STR HDR (PIP VERSION)		dwg no BSC203204004	Rev. A
catalog no		HM2PIISZ-----	CUSTOMER	sheet 1 of 3	

LOADING PATTERN MATING SIDE

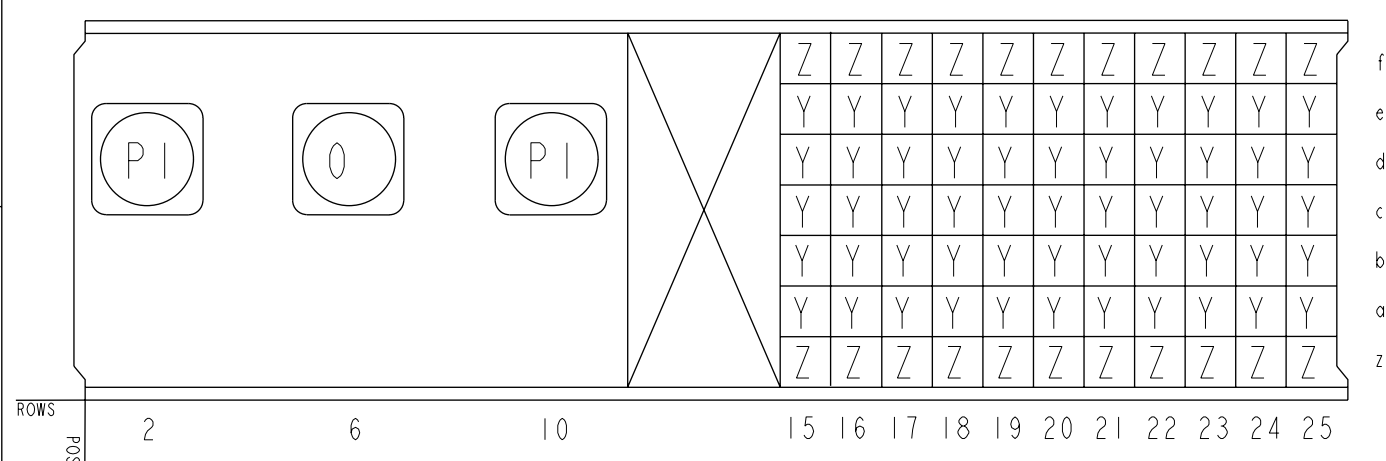
Cat No : HM2PIISZ5001-----



CONTACT OVERVIEW



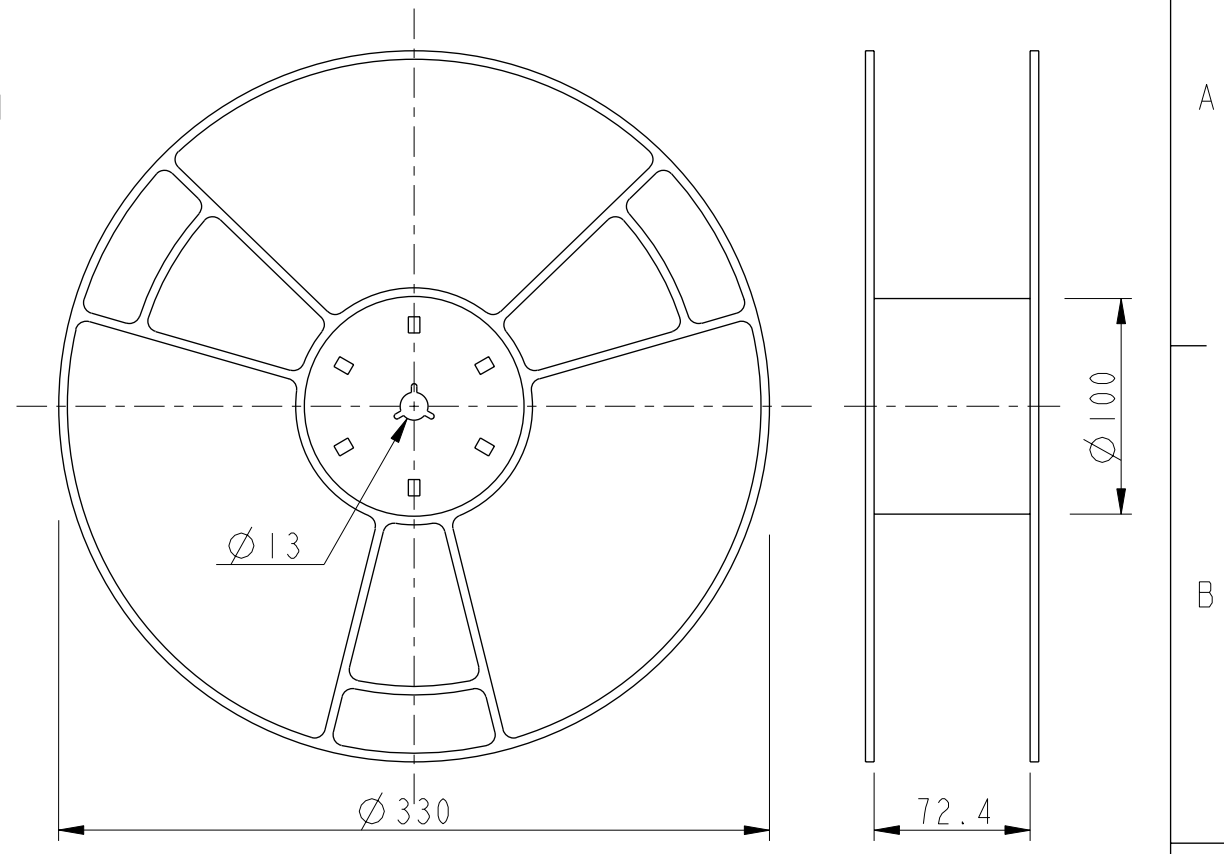
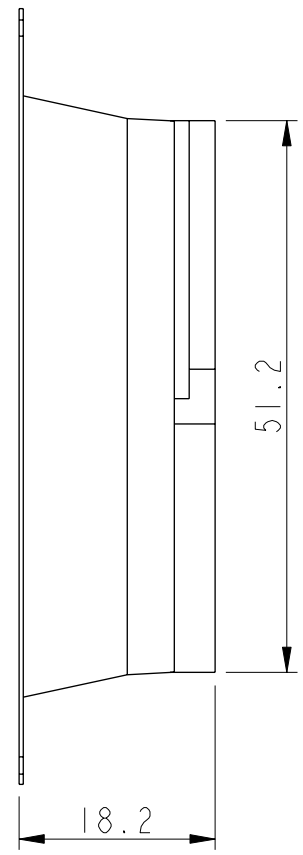
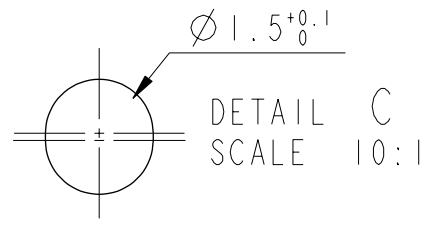
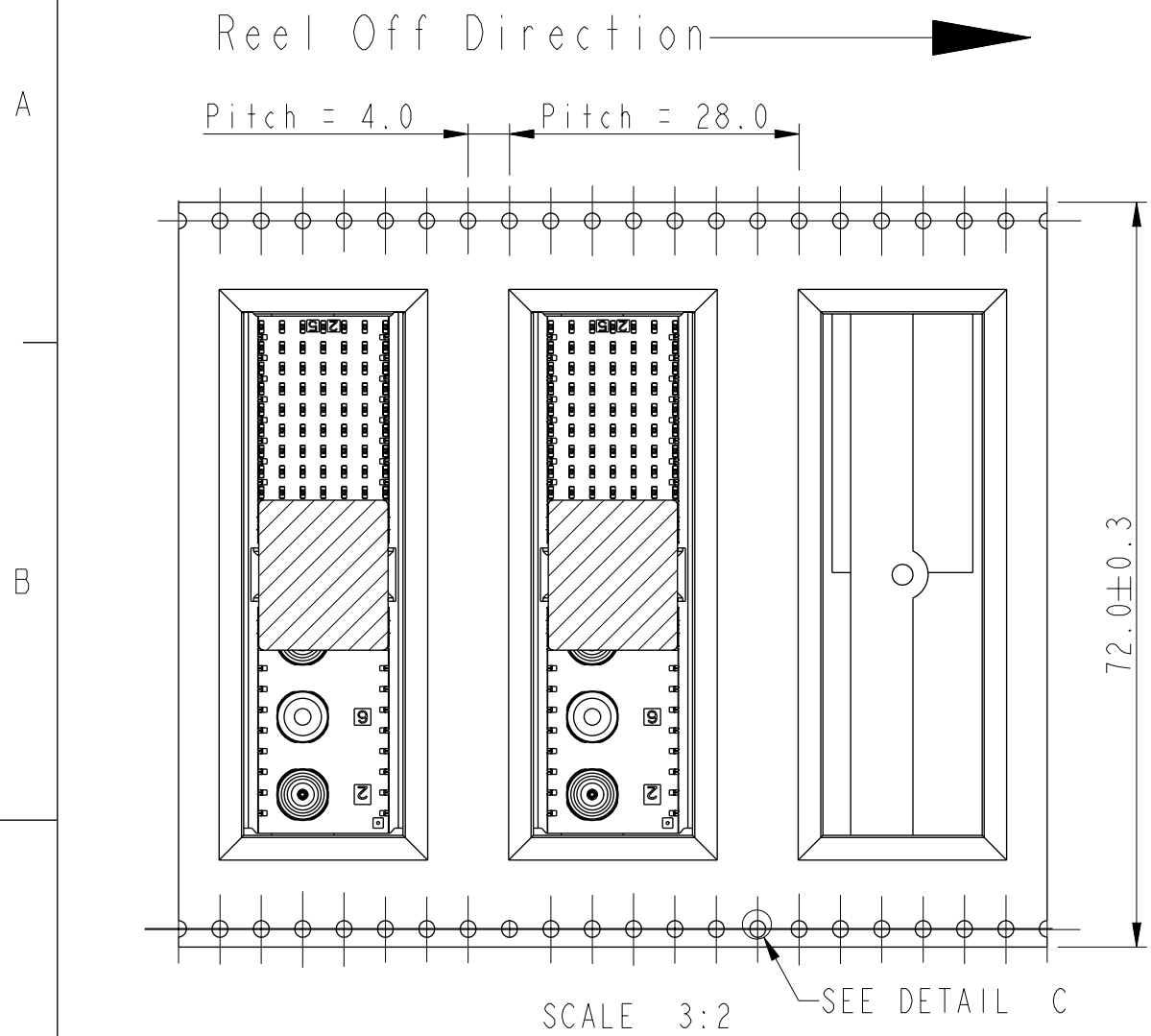
Cat No : HM2PIISZ5011-----



www.fciconnect.com			surface - ✓ ISO 1302	tolerance std ISO 406 ISO 1101	projection mm	
TOLERANCES UNLESS OTHERWISE SPECIFIED						
Dr	Alex Babu	2007-08-24	ANGULAR 0° ±1°	0.X	±0.2	
Eng	Alex Babu	2007-08-24		LINEAR	0.XX	±0.1
Chr	Biju K Paul	2007-08-24			0.XXX	±0.05
Appr	Biju K Paul	2007-08-24	Product family	MILLIPACS	Spec ref -	
FCI			title MILLIPACS TYPE-M STR HDR (PIP VERSION)		Rev. A	
catalog no			HM2PIISZ-----		sheet 2 of 3	

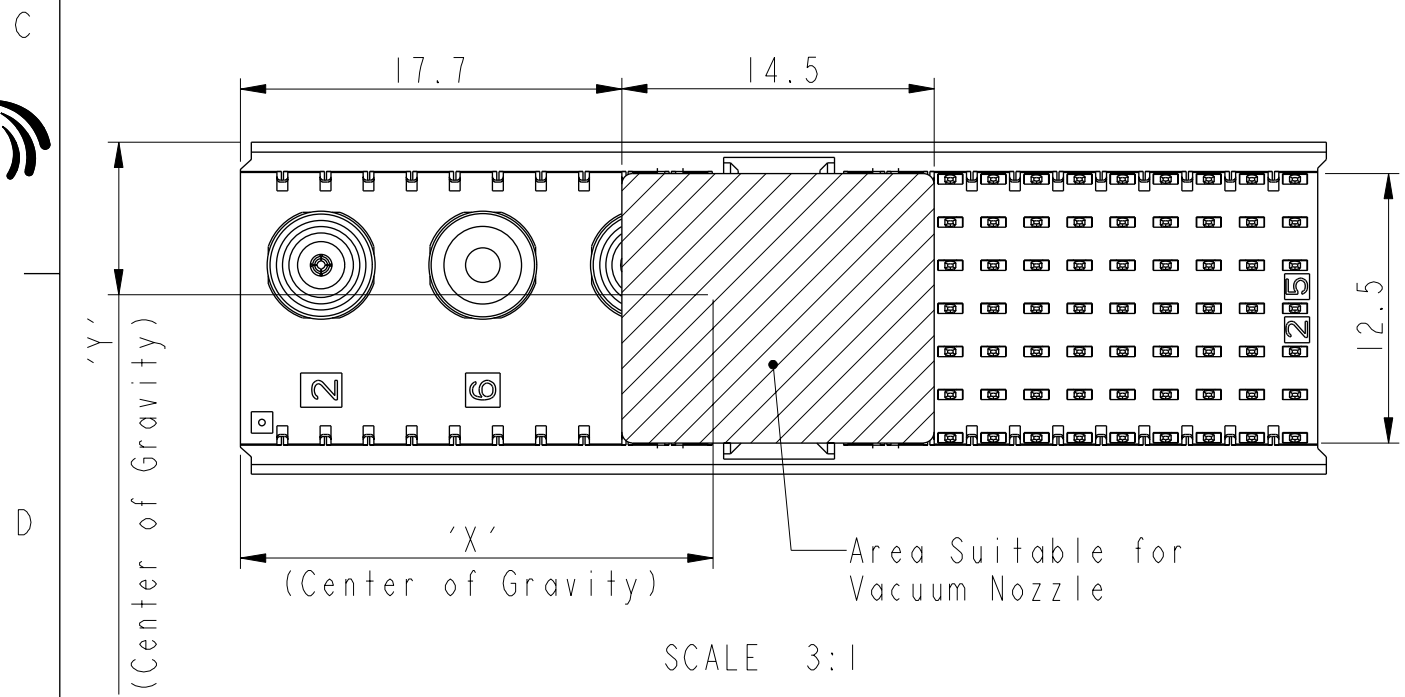
Copyright FCI. FCI

TAPE ON REEL PACKAGING DETAILS



- NOTES :
- SCALE 3:10
- 1 , CONNECTORS PACKED PER REEL : 110 PIECES
 - 2 , PACKAGING DETAILS AS PER EIA-481-B
 - 3 , PACKING SHOULD BE ANTISTATIC
 - 4 , MATERIAL
CARRIER TAPE : POLYSTYRENE
COVER TAPE : POLYESTER
 - 5 , CONNECTOR CAN BE PICKED UP WITH A VACUUM NOZZLE
DIAMETER UPTO 7 MM

Catalogue No.	Center of Gravity		Weight gms
	'X' mm	'Y' mm	
HM2PIISZ5001----	22.7	7.1	11.0
HM2PIISZ5011----	24.5	7.3	9.5



www.fciconnect.com			surface - ✓ ISO 1302	tolerance std ISO 406 ISO 1101	projection mm
TOLERANCES UNLESS OTHERWISE SPECIFIED					
Dr	Alex Babu	2007-08-24	ANGULAR 0° ±1°	0.X ±0.2	size A3
Eng	Alex Babu	2007-08-24		0.XX ±0.1	
Chr	Biju K Paul	2007-08-24		0.XXX ±0.05	
Appr	Biju K Paul	2007-08-24	Product family	MILLIPACS	Spec ref
			title MILLIPACS TYPE-M STR HDR (PIP VERSION)		Rev. A
catalog no HM2PIISZ-----			dwg no BSC203204004		sheet 3 of 3

Copyright FCI.