

UNDER DEVELOPMENT

Type: CDPH10D22

Product Description

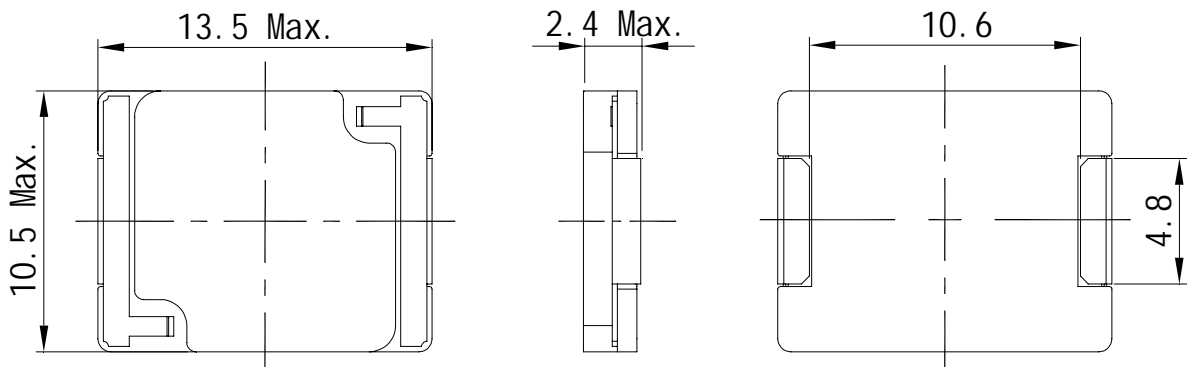
- 13.5 × 10.5mm Max.(L × W), 2.4mm Max. Height.
- Inductance range: 1.8 ~ 33 μH
- Rated current range: 1.26 ~ 4.02A
- Custom design is available.



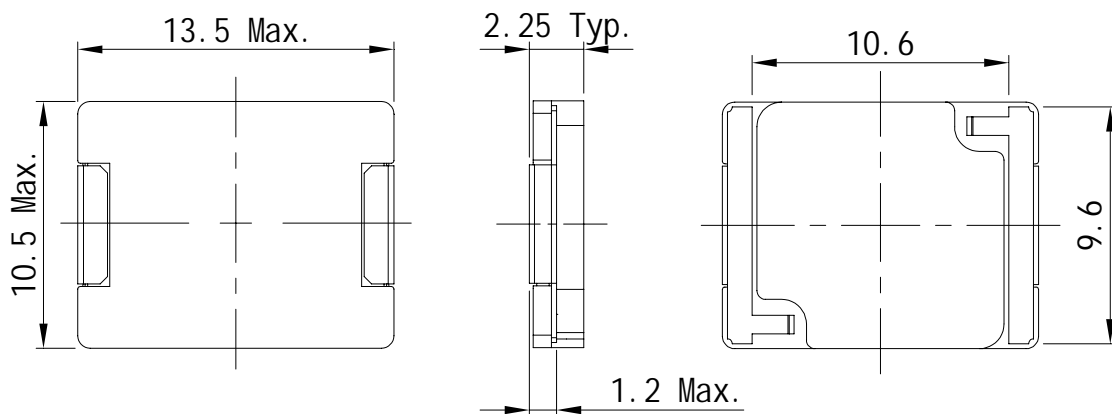
Feature

- Magnetically shielded construction.
- High current inductor ideally used in White LED high power supply.
- RoHS Compliance

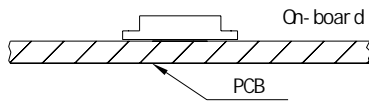
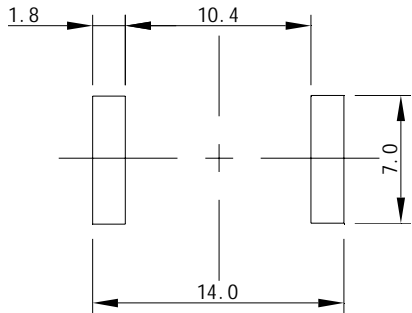
Dimensions (mm)



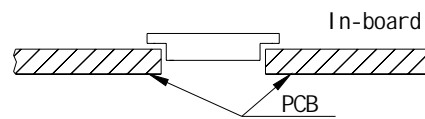
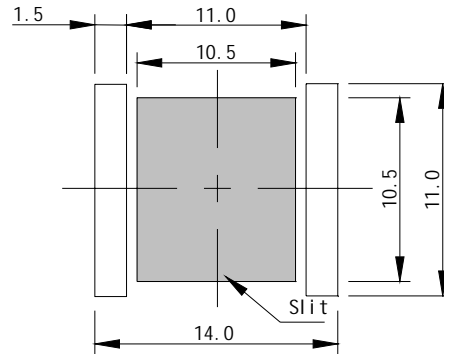
Surface mounting



Embedded mounting

Type: CDPH10D22
Land Pattern (mm)


(Surface mounting)
(Part No. Without "B")



(Embedded mounting)
(Part No. with "B")

Specification

| Part Name | Stamp | Inductance (μ H) [Within] 100kHz | D.C.R.() Max.(Typ.) (at 20) | Saturation Current Max.(Typ.) (A) 1 | Temperature Rise current Max.(Typ.) (A) 2 |
|------------------------|-------|---|-------------------------------------|--|--|
| CDPH10D22 (B) NP-1R8PC | 1R8 | 1.80 \pm 25% | 31 (25) | 4.96 (6.20) | 4.02(4.60) |
| CDPH10D22 (B) NP-2R7PC | 2R7 | 2.70 \pm 25% | 36 (29) | 4.61 (5.76) | 3.83(4.40) |
| CDPH10D22 (B) NP-3R3PC | 3R3 | 3.30 \pm 25% | 41 (33) | 4.03 (5.04) | 3.38(3.84) |
| CDPH10D22 (B) NP-4R7PC | 4R7 | 4.70 \pm 25% | 48 (38) | 3.71 (4.64) | 3.20(3.66) |
| CDPH10D22 (B) NP-5R6PC | 5R6 | 5.60 \pm 25% | 56 (45) | 3.50 (4.38) | 3.02(3.45) |
| CDPH10D22 (B) NP-7R5PC | 7R5 | 7.50 \pm 25% | 60 (48) | 2.84 (3.55) | 2.95(3.40) |
| CDPH10D22 (B) NP-8R2PC | 8R2 | 8.20 \pm 25% | 69 (55) | 2.74 (3.42) | 2.85(3.25) |
| CDPH10D22 (B) NP-100PC | 100 | 10.0 \pm 25% | 75 (60) | 2.56 (3.20) | 2.50(2.70) |
| CDPH10D22 (B) NP-120PC | 120 | 12.0 \pm 25% | 125 (100) | 2.19 (2.74) | 1.88(2.14) |
| CDPH10D22 (B) NP-150PC | 150 | 15.0 \pm 25% | 136 (109) | 2.05 (2.56) | 1.84(2.09) |
| CDPH10D22 (B) NP-180PC | 180 | 18.0 \pm 25% | 146 (117) | 1.92 (2.40) | 1.72(1.96) |
| CDPH10D22 (B) NP-200PC | 200 | 20.0 \pm 25% | 151 (121) | 1.80(2.25) | 1.67(1.91) |
| CDPH10D22 (B) NP-220PC | 220 | 22.0 \pm 25% | 163 (130) | 1.59(1.99) | 1.53(1.77) |
| CDPH10D22 (B) NP-240PC | 240 | 24.0 \pm 25% | 208 (166) | 1.47(1.84) | 1.44(1.65) |
| CDPH10D22 (B) NP-270PC | 270 | 27.0 \pm 25% | 221 (177) | 1.42 (1.78) | 1.32(1.51) |
| CDPH10D22 (B) NP-330PC | 330 | 33.0 \pm 25% | 256 (205) | 1.30 (1.62) | 1.26(1.43) |

1. Saturation Current: The DC current at which the inductance decreases to 70% of it's nominal value.
2. Temperature rise current: The DC current at which the temperature rise is $t = 40$.($T_a = 20$)

THIS SPEC IS NOT THE FINAL REVISION, AND SOME PARTS MAY BE CHANGED BEFORE PRODUCTION.