

DO NOT SCALE FROM THIS PRINT

ZF5-XX-XX-T-WT-XX

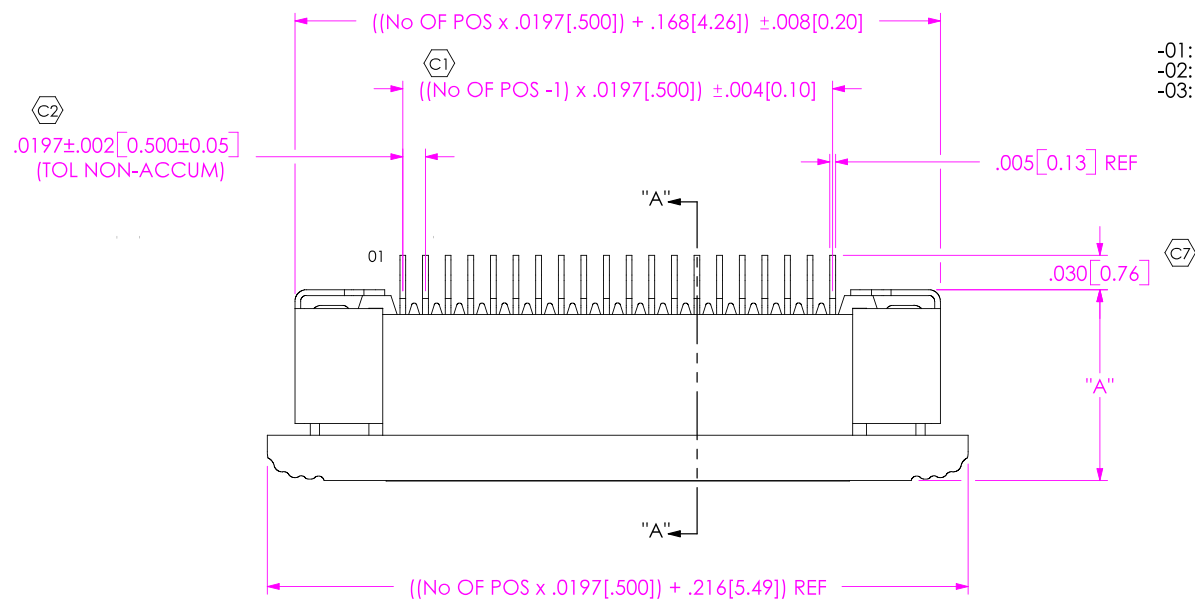
No OF POSITIONS
B -04 THRU -50

LEAD STYLE
 -01: CONTACT BOTTOM
 -02: CONTACT TOP
 -03: VERTICAL (SEE SHEET 3)

OPTIONS
 -TR: TAPE AND REEL

WELD TAB

PLATING SPECIFICATION
C8 -T: TIN (.000120 MIN TIN OVER
 .000040 MIN NICKEL)
 (TIN/LEAD RATIO IS 9/1)



B

LEAD STYLE	No OF POS.	"A"
-01 & -02	-04 THRU -39	.165[4.20]
-01 & -02	-40 THRU -50	.205[5.20]

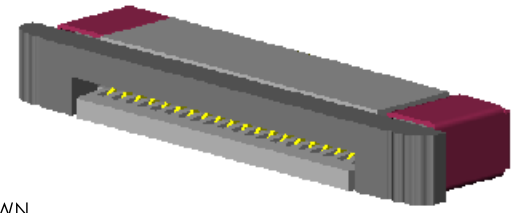
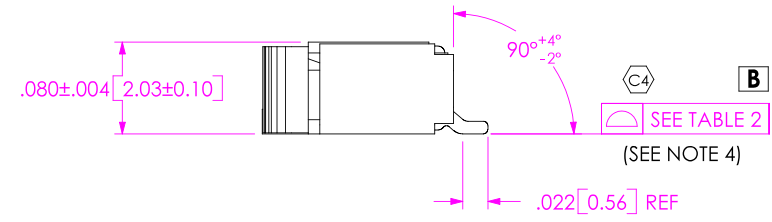
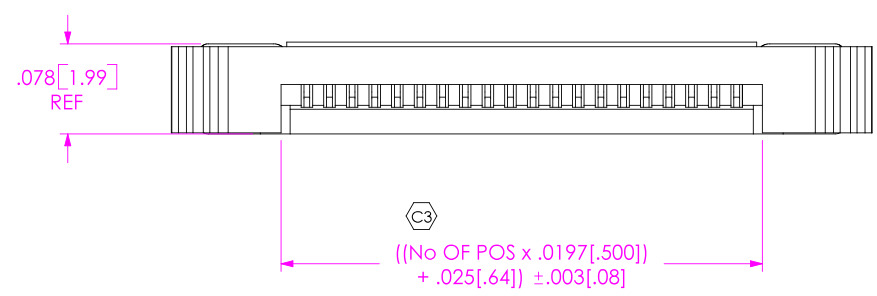


FIG. 1
 ZF5-20-01-X-WT SHOWN
 (WITH CAM CLOSED)



B

No OF POS.	COPLANARITY
-04 THRU -30	.0040[0.101]
-31 THRU -50	.0060[0.152]

- NOTES:
1. © REPRESENTS A CRITICAL DIMENSION.
 2. BURR ALLOWANCE: .0010[0.025] MAXIMUM.
 3. CONTACT; MINIMUM PUSHOUT FORCE: 6 OZ.
 4. CO-PLANARITY INCLUDES TAILS AND WELD TABS.
 5. WELD TAB RETENTION: 6 OZ.
 6. BREAKOFF BURR NOT TO EXCEED .007[0.18] AND MUST REMAIN ATTACHED.

UNLESS OTHERWISE SPECIFIED, DIMENSIONS ARE IN INCHES.
 TOLERANCES ARE:
 DECIMALS ANGLES
 .XX: ±.014[0.35] 2°
 .XXX: ±.008[0.20]
 .XXXX: ±.0008[.020]

MATERIAL: DO NOT SCALE DRAWING
 HOUSING: LCP, COLOR: NATURAL
 CAM SLIDER: PPS, COLOR: BLACK
 CONTACT & WELD TAB:
 PHOS BRONZE
 MAX FLASH ALLOWED: .002
 MAX GATE VESTIGE: .002
 F:\DWG\MISC\MKTG\ZF5-XX-XX-T-WT-XX-MKT.SLDDRW

PROPRIETARY NOTE
 THIS DOCUMENT CONTAINS INFORMATION CONFIDENTIAL AND PROPRIETARY TO SAMTEC, INC. AND SHALL NOT BE REPRODUCED OR TRANSFERRED TO OTHER DOCUMENTS OR DISCLOSED TO OTHERS OR USED FOR ANY PURPOSE OTHER THAN THAT WHICH IT WAS OBTAINED WITHOUT THE EXPRESSED WRITTEN CONSENT OF SAMTEC, INC.

SHEET SCALE: 6:1

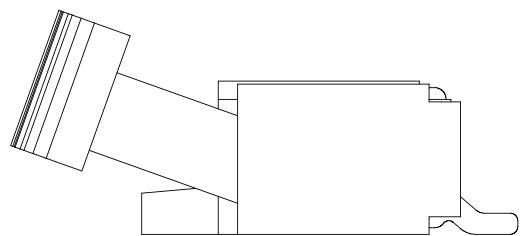
SAMTEC

520 PARK EAST BLVD, NEW ALBANY, IN 47150
 PHONE: 812.944.6733 FAX: 812.948.5047
 e-Mail: INFO@SAMTEC.COM CODE: 55322

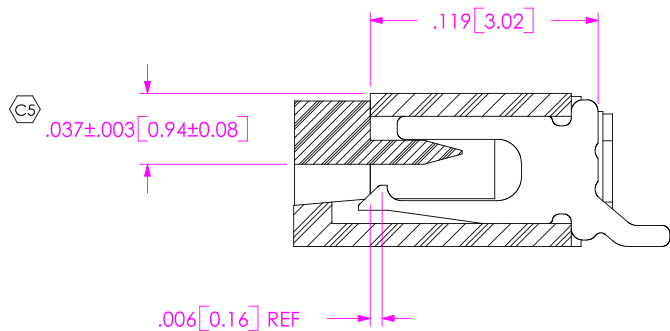
DESCRIPTION:
 ZERO INSERTION FORCE .5mm ASSEMBLY

DWG. NO. ZF5-XX-XX-T-WT-XX

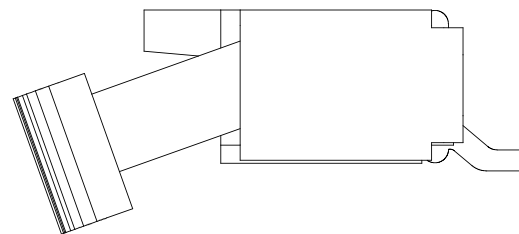
BY: DEAN P 12/12/2000 SHEET 1 OF 3



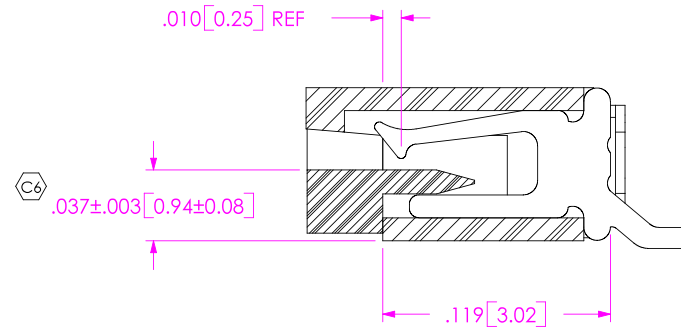
-01 LEAD STYLE [CONTACT BOTTOM]
(WITH CAM OPEN)



SECTION "A"- "A"
-01 LEAD STYLE
(WITH CAM CLOSED)



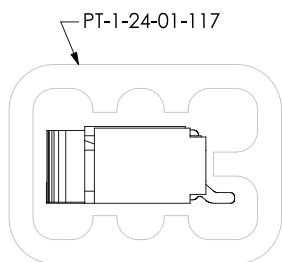
-02 LEAD STYLE [CONTACT TOP]
(WITH CAM OPEN)



SECTION "A"- "A"
-02 LEAD STYLE
(WITH CAM CLOSED)

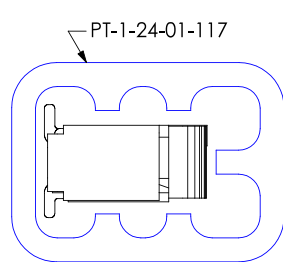
PACKAGING VIEWS

[PARTS TO HAVE POSITION #1 LOADED IN
SAME DIRECTION AS ARROW ON TUBE]



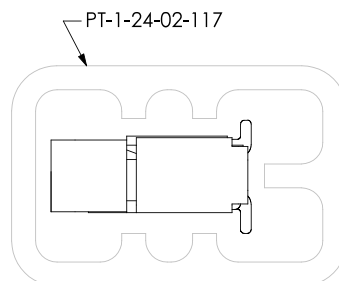
-01 & -02 LEAD STYLES
-04 THRU -39 POSITIONS

B



-03 LEAD STYLE
-04 THRU -39 POSITIONS

B



-01, -02 & -03
-40 THRU -50 POSITIONS

B

PACKAGING TABLE

LEAD STYLE	No OF POS.	PACKAGING TUBE	PLUG
-01, -02 & -03	-04 THRU -39	PT-1-24-01-117	TP-03
	-40 THRU -50	PT-1-24-02-117	TP-03

F:\DWG\MISC\MKTG\ZF5-XX-XX-T-WT-XX-MKT.SLDRW

PROPRIETARY NOTE
THIS DOCUMENT CONTAINS INFORMATION
CONFIDENTIAL AND PROPRIETARY TO
SAMTEC, INC. AND SHALL NOT BE REPRODUCED
OR TRANSFERRED TO OTHER DOCUMENTS OR
DISCLOSED TO OTHERS OR USED FOR ANY
PURPOSE OTHER THAN THAT WHICH IT WAS
OBTAINED WITHOUT THE EXPRESSED WRITTEN
CONSENT OF SAMTEC, INC.

DO NOT SCALE DRAWING

SHEET SCALE: 10:1

SAMTEC

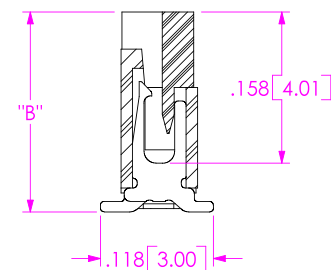
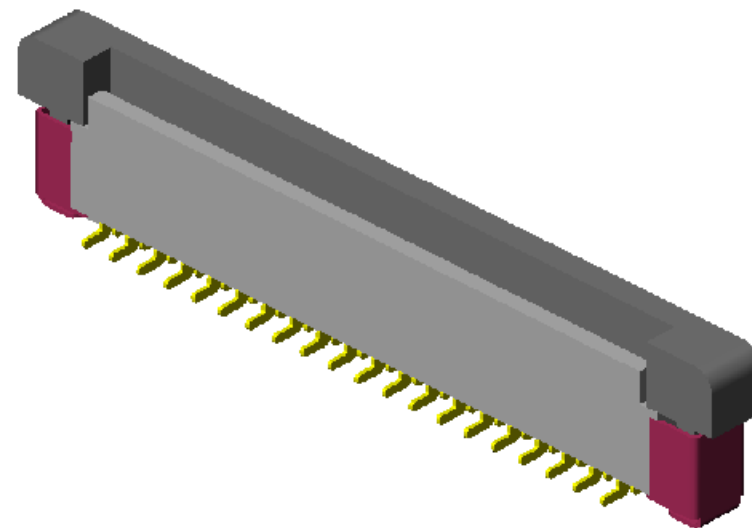
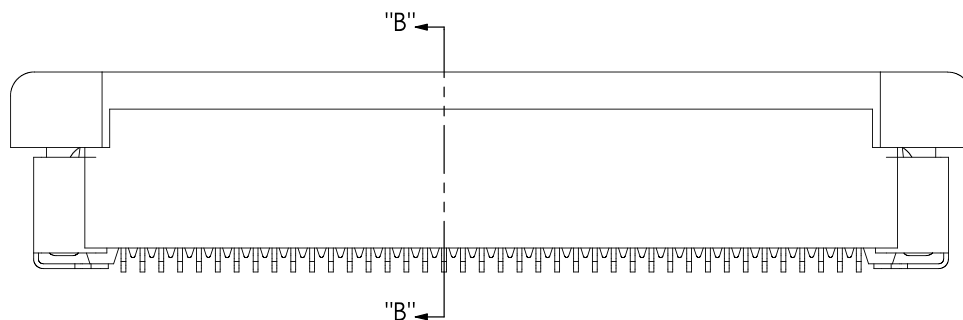
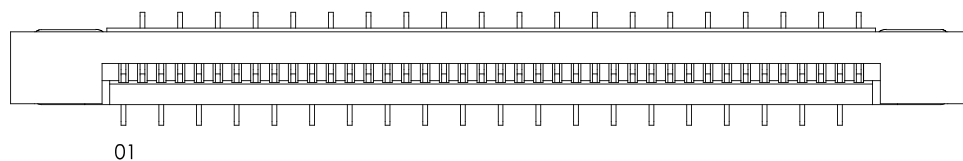
520 PARK EAST BLVD, NEW ALBANY, IN 47150
PHONE: 812.944.6733 FAX: 812.948.5047
e-Mail: INFO@SAMTEC.COM CODE: 55322

DESCRIPTION:
ZERO INSERTION FORCE .5mm ASSEMBLY

DWG. NO. **ZF5-XX-XX-T-WT-XX**

BY: DEAN P 12/12/2000 SHEET 2 OF 3

FIG. 2
 -03 LEAD STYLE
 (SAME AS FIG. 1, UNLESS OTHERWISE STATED)
 (ZF5-40-03-T-WT SHOWN)



SECTION "B"- "B"

B

TABLE 3		
LEAD STYLE	No OF POS.	"B"
-03	-04 THRU -39	.169[4.30]
-03	-40 THRU -50	.209[5.30]

PROPRIETARY NOTE
 THIS DOCUMENT CONTAINS INFORMATION CONFIDENTIAL AND PROPRIETARY TO SAMTEC, INC. AND SHALL NOT BE REPRODUCED OR TRANSFERRED TO OTHER DOCUMENTS OR DISCLOSED TO OTHERS OR USED FOR ANY PURPOSE OTHER THAN THAT WHICH IT WAS OBTAINED WITHOUT THE EXPRESSED WRITTEN CONSENT OF SAMTEC, INC.

DO NOT SCALE DRAWING

SHEET SCALE: 5:1

SAMTEC

520 PARK EAST BLVD, NEW ALBANY, IN 47150
 PHONE: 812.944.6733 FAX: 812.948.5047
 e-Mail: INFO@SAMTEC.COM CODE: 55322

DESCRIPTION:
 ZERO INSERTION FORCE .5mm ASSEMBLY

DWG. NO.
ZF5-XX-XX-T-WT-XX

BY: DEAN P 12/12/2000 SHEET 3 OF 3