

D-SUB Connector

SPECIFICATIONS

Mechanical

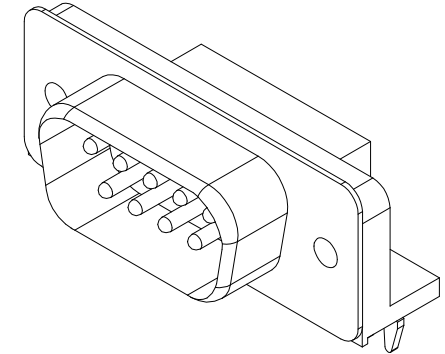
Contact Mating Force: 4.54kg (10.0Lb) max.
Contact Unmating Force: 0.34kg (0.75Lb) min.
Contact Retention Force: 1.82kg (4.0Lb) min.

Electrical

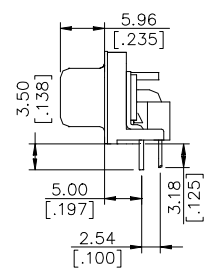
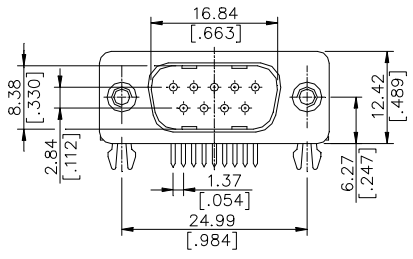
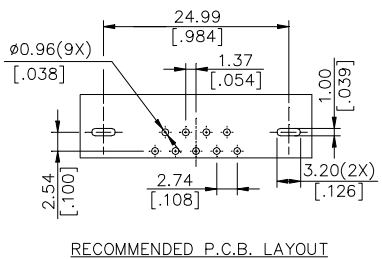
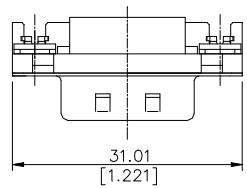
Current Rating: 3.0A
Contact Resistance: 35mW max.
Dielectric Withstanding Voltage: 1000V AC/1min min.
Insulation Resistance: 5000MW

Physical

Housing: Thermoplastic, UL 94V-0 rated in Black Color
Contact: Copper alloy
Plating: See "ORDERING INFORMATION"
Solder Pad: Copper alloy
Operating Temperature: -55 to +105



DRAWING



ORDERING INFORMATION

PRODUCT NO.: DZ 1 0 1 A * - F4U2 - 4F

