

PCB side fine-wire coaxial cable
LVC-C()30SFYG(TP)+

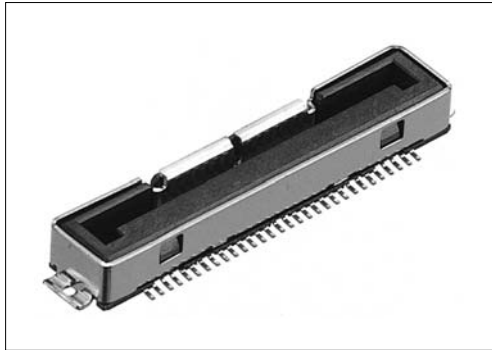
Fine-wire coaxial cable

For LCD

0.5 mm pitch

PCB sides

RoHS

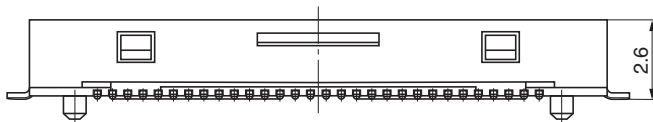
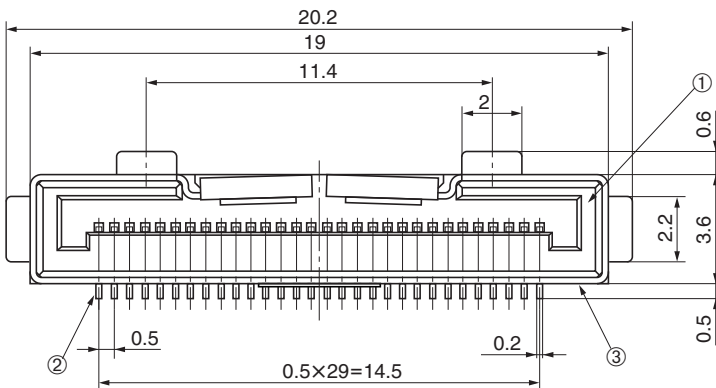
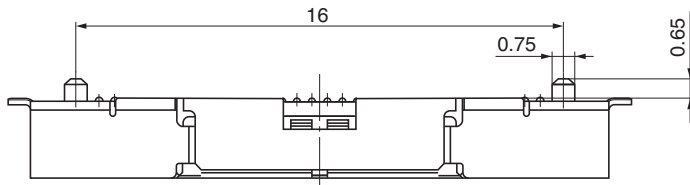


● Configuration of product Part No.

LVC- C () 30 SFY G (TP)+

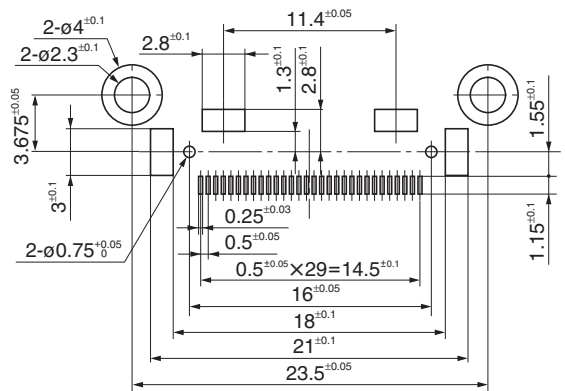
① ② ③ ④ ⑤ ⑥

- ① Series name
- ② Blank: With Boss
A : No Boss
- ③ No. of contacts: 30
- ④ Type of contact
SFY: Straight SMT type, female
- ⑤ Contact plating
G: Gold plate
- ⑥ Taping package
TP: With embossed tape and reel (1R=1,500pcs)

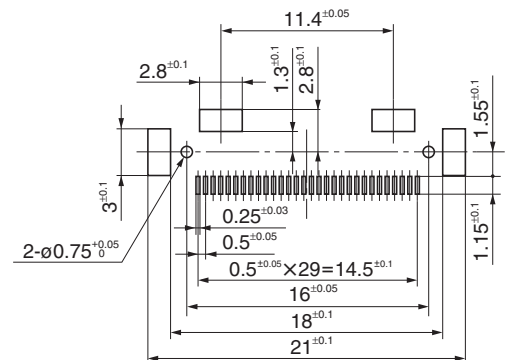
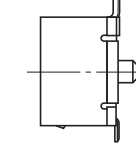


● Components

①	Insulator
②	Contacts
③	Shell



Recommended PCB layout
Mating connector: LVC-C30LPMSG+



Recommended PCB layout
Mating connector: LVC-D30LPMSG+

Mating connector: LVC-C30LPMSG+

LVC-D30LPMSG+