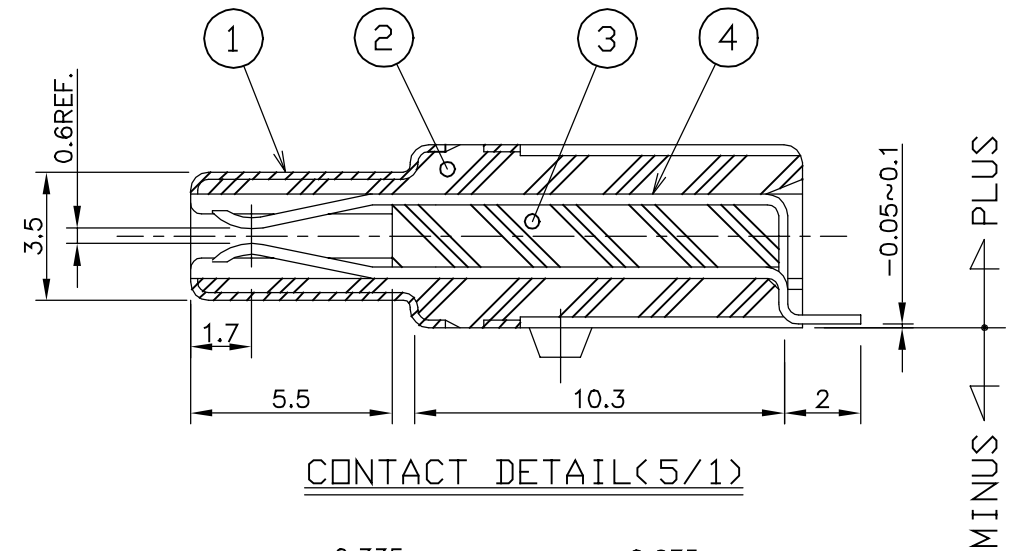


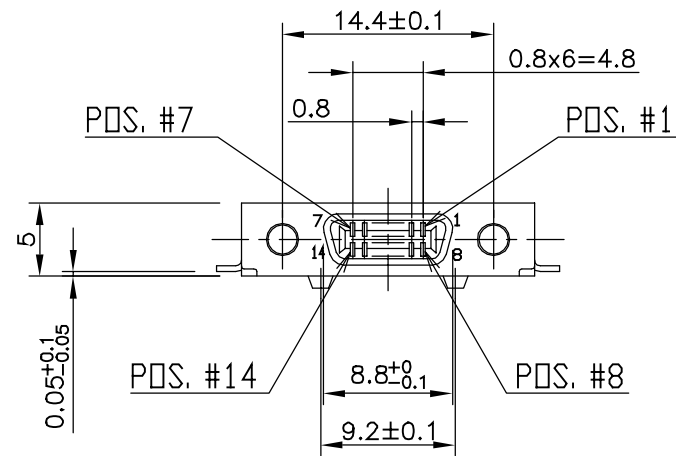
PART NO.  
(CODE ADDRESS)

NOTE

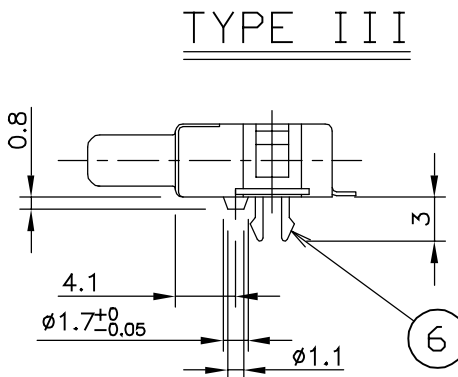
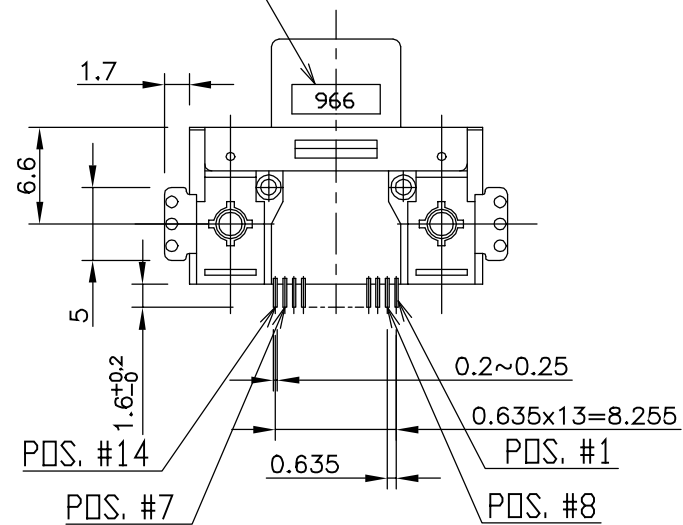
1. SPECIFICATION  
RATED CURRENT: 0.5A (PEAK TO PEAK 1A) / 1 CONTACT  
VOLTAGE: 125V AC (r. m. s.)
2. CONTACT PLATING  
0.76μm MIN. GOLD ON MATING AREA,  
2.6~5μm TIN/LEAD ON TERMINATION AREA,  
ALL OVER 1.5μm MIN. NICKEL UNDERPLATED.



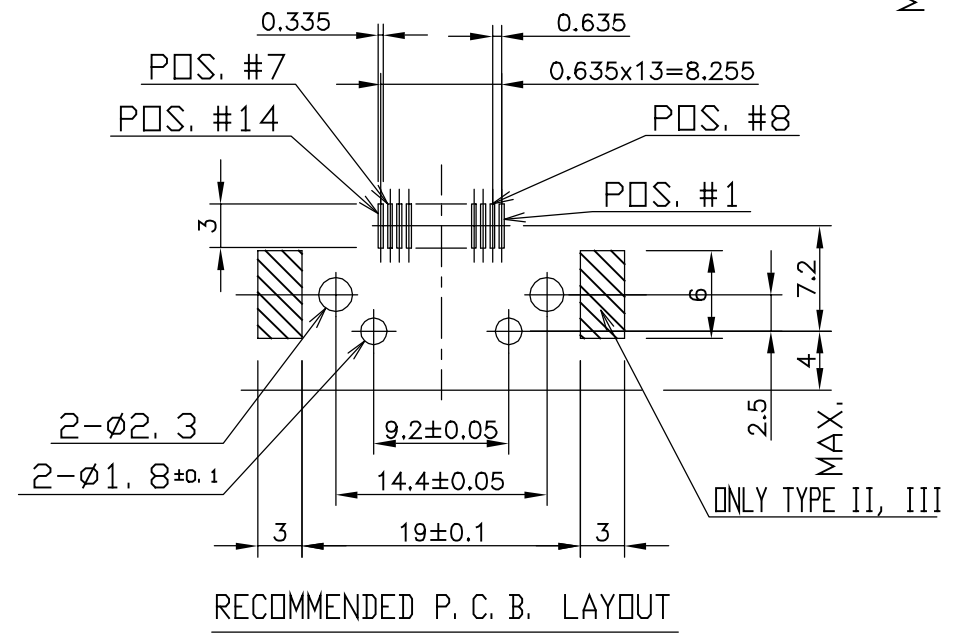
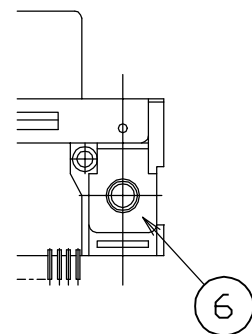
CONTACT DETAIL (5/1)



TYPE II LOT NO.



TYPE I



HONDA  
PRINT RM  
AUG. 9, 1996  
ISSUED

7	SQR. NUT	BRASS	2	NICKEL	M2x0.4					
6	EARTH PLATE	PHOSPHOR BRONZE	2	TIN/LEAD	—					
5	HEX. NUT	STEEL		NICKEL	M2x0.4					
4	CONTACT	PHOSPHOR BRONZE	14	NOTE#2	—					
3	INSULATOR B	PPS(GF)	1	—	UL 94V-0 BLACK COLOR					
2	INSULATOR A	PPS(GF)	1	—	UL 94V-0 BLACK COLOR					
1	SHELL	STEEL	1	NICKEL	—					
LTR.	DATE	BY	REV.	DESCRIPT	NO.	PART NAME	MATERIAL	QTY	FINISH	NOTE

PART NO.	MOUNTING STRUCTURE	QTY. OF HEX. NUT	P. C. B. THICKNESS
HDR-EA14LFYG1	TYPE I (SCREW)	2	1.0
HDR-EA14LFYPG1	TYPE II (SCREW+HOLD DOWN)	2	1.0
HDR-EA14LFYWG1	TYPE III (LOCK PIN+HOLD DOWN)	—	1.6
HDR-EA14LFYW2G1		—	0.8

DATE	SCALE	UNIT	3RD . A . P	HONDA TSUSHIN KOGYO., LTD.	
AUG. 9 (1996)	2 / 1	mm(INCH)		DR	DE
				CHK	CHK
				APP	NAME
					PART NO.