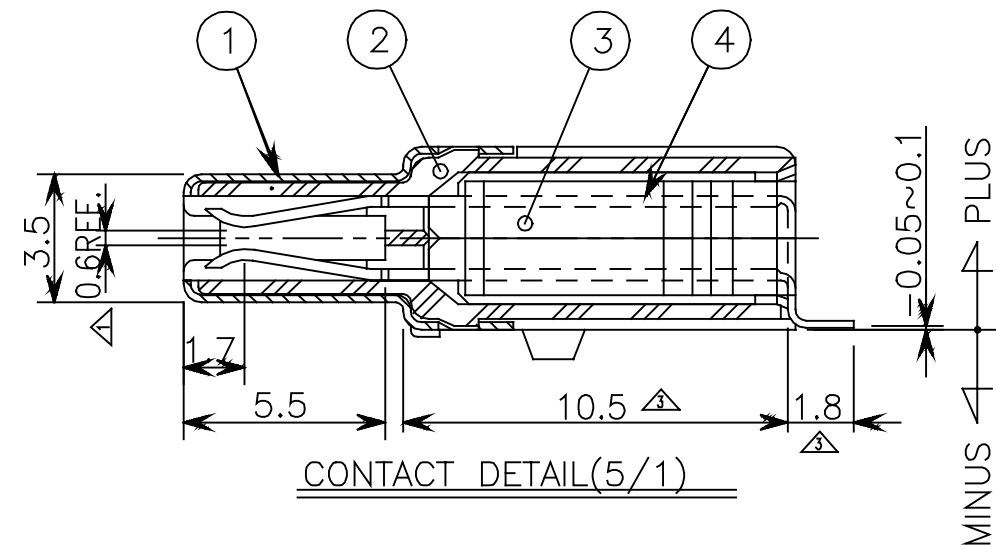
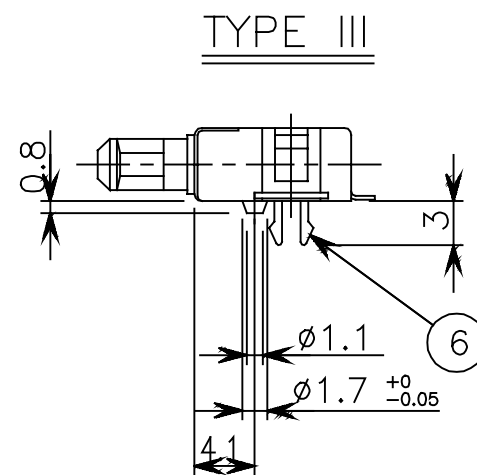
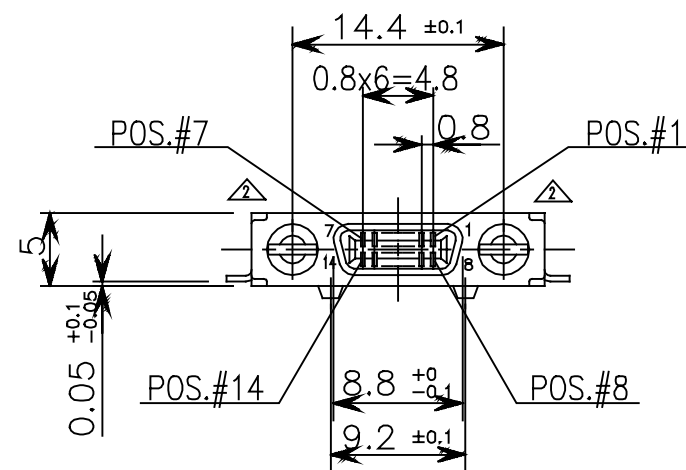


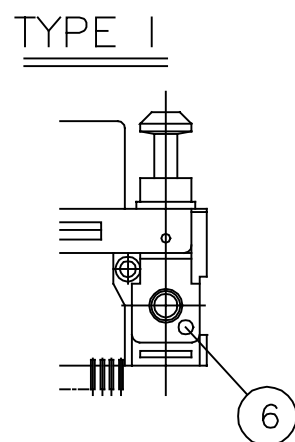
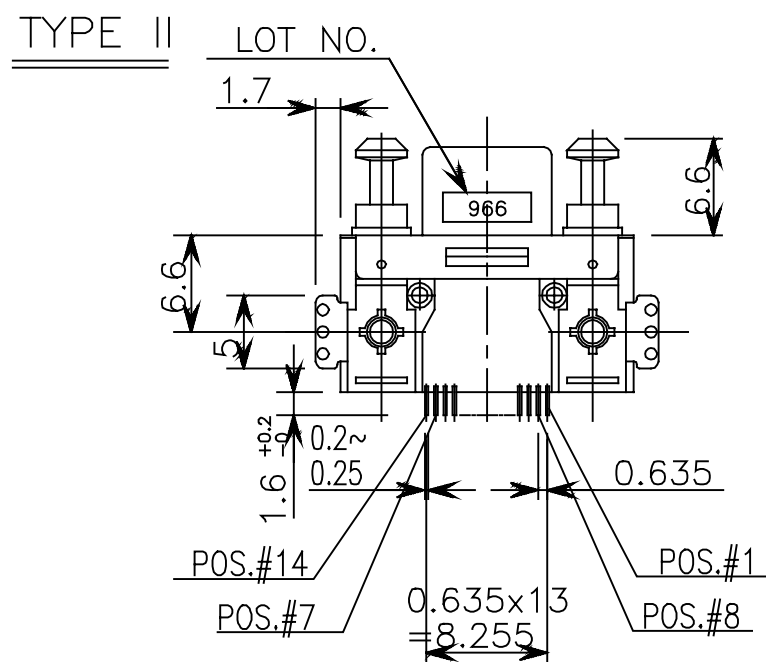
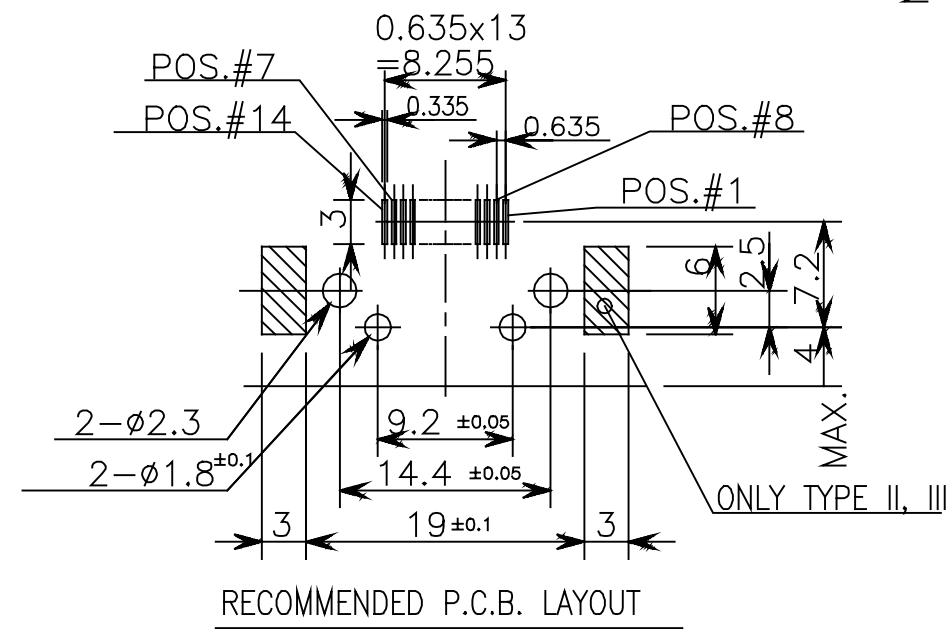
NOTE
 1.SPECIFICATION
 RATED CURRENT:0.5A(PEAK TO PEAK 1A)/1 CONTACT
 VOLTAGE:125V AC(r.m.s.)
 2.CONTACT PLATING
 0.76μm MIN.GOLD ON MATING AREA,
 2.6~5μm TIN/LEAD ON TERMINATION AREA,
 ALL OVER 1.5μm MIN.NICKEL UNDERPLATED.



CONTACT DETAIL(5/1)



HONDA
 PRINT RM
 DEC.6.1999
 ISSUED



PART NO.	MOUNTING STRUCTURE	QTY OF HEX.NUT	P.C.B THICKNESS
HDR-EA14LFYG1-SLE	TYPE I (SCREW)	2	1.0
HDR-EA14LFYPG1-SLE	TYPE II (SCREW+HOLD DOWN)	2	1.0
HDR-EA14LFYWG1-SLE	TYPE III (LOCK PIN+HOLD DOWN)		1.6
HDR-EA14LFYW2G1-SLE			0.8

8	LOCKING DEVICE	STEEL	2	NICKEL	
7	SQR.NUT	BRASS	2	NICKEL	M2x0.4
6	EARTH PLATE	PHOSPHOR BRONZE	2	TIN/LEAD	
5	HEX.NUT	STEEL		NICKEL	M2x0.4
4	CONTACT	PHOSPHOR BRONZE	14	NOTE#2	

Δ	DATE	BY	REV.	DESCRIPT	NO.	PART NAME	MATERIAL	QTY	FINISH	NOTE
Δ	MAR.17 1998	Y.K		CHANGE DIM.	3	INSULATOR B	PPS(GF)	1		UL94V-0 BLACK COLOR
Δ	MAR.31 1997	Y.K		CHANGE SHAPE	2	INSULATOR A	PPS(GF)	1		UL94V-0 BLACK COLOR
Δ	AUG. 9 1996	Y.K		CHANGE DIM.	1	SHELL	STEEL	1	NICKEL	

DATE	SCALE	UNIT	3RD . A . P	HONDA TSUSHIN KOGYO., LTD.		
JUN.21 (1996)	2 / 1	mm(INCH)		DR	DE	CHK
				CHK	APP	NAME
						PART NO.
						HDR-EA14LFY()G1-SLE
						REV. 3C

HDR-EA14LFY()G1-SLE