

DO NOT SCALE DRAWING DIMENSION IN METRIC

PROJECT NO. DWG. NO. SD-35560-001

SIMILAR ITEM

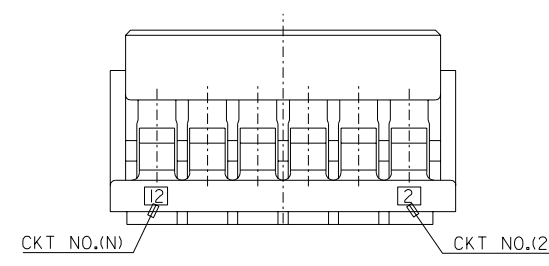
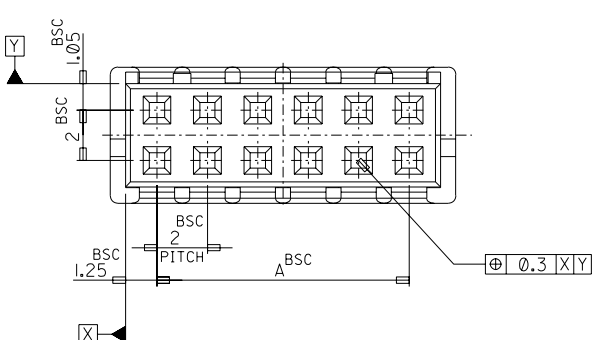
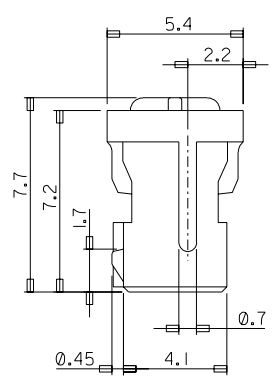
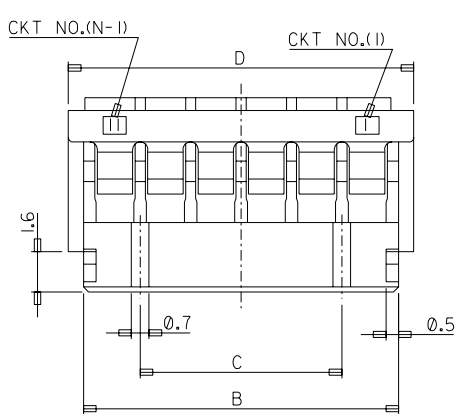
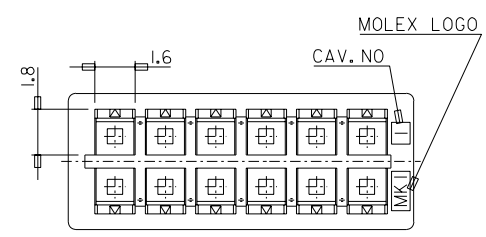
PROJECT NO.

C

B

DO NOT SCALE DRAWING DIMENSION IN METRIC

31.7	26.0	30.5	28.0	35560301*	35560-301*	30
29.7	24.0	28.5	26.0	35560281*	35560-281*	28
27.7	22.0	26.5	24.0	35560261*	35560-261*	26
25.7	20.0	24.5	22.0	35560241*	35560-241*	24
23.7	18.0	22.5	20.0	35560221*	35560-221*	22
21.7	16.0	20.5	18.0	35560201*	35560-201*	20
19.7	14.0	18.5	16.0	35560181*	35560-181*	18
17.7	12.0	16.5	14.0	35560161*	35560-161*	16
15.7	10.0	14.5	12.0	35560141*	35560-141*	14
13.7	8.0	12.5	10.0	35560121*	35560-121*	12
11.7	6.0	10.5	8.0	35560101*	35560-101*	10
D	C	B	A	MATERIAL NO.	ENG. NO.	CKT



NOTE

1. MATERIAL:POLYESTER(PBT), NON-GRASS FILLED, UL94V-0, COLOR:NATURAL,
2. PRODUCT SPECIFICATION : PS-35560-001
3. APPLICABLE TERMINAL : 35476-8002
4. MATED HEADER ASS'Y : 68146-**1*

LEGEND

35560 - ** 1 *

COLOR : 0 --- NATURAL
1 --- BLACK

CKT (10,12,14,..,30)

REVISED EC NO. KOR2003-0107 DRWN: K.S.KIM(021130) CHK: J.K.OH APPR: C.W.LEE	DESCRIPTION MAJOR CRITICAL	QUALITY SYMBOLS		GENERAL TOLERANCES: (UNLESS SPECIFIED)		SCALE 5 : 1	DESIGN UNITS <input checked="" type="checkbox"/> mm <input type="checkbox"/> INCH	THIRD ANGLE PROJECTION	DIMENSIONS: <input type="checkbox"/> mm <input type="checkbox"/> INCH <input checked="" type="checkbox"/> mm ONLY		SHT	REV		
		4 PLACES	±.	±.	3 PLACES	±.	±.	2 PLACES	±.	±.	1 PLACE	±0.2	±.	DRWN BY & DATE K.S.KIM(021102)
B2	REV	DRAFT WHERE APPLICABLE MUST REMAIN WITHIN DIMENSIONS		ANGULAR: ± °		CHECKED BY & DATE J.K.OH		MATERIAL NO. SEE CHART		DRAWING NO. SD-35560-001		SIZE B		
THIS DRAWING CONTAINS INFORMATION THAT IS PROPRIETARY TO MOLEX INCORPORATED AND SHOULD NOT BE USED WITHOUT WRITTEN PERMISSION.						MOLEX INCORPORATED KOREA						DRAWING NO. SD-35560-001		MX-A3