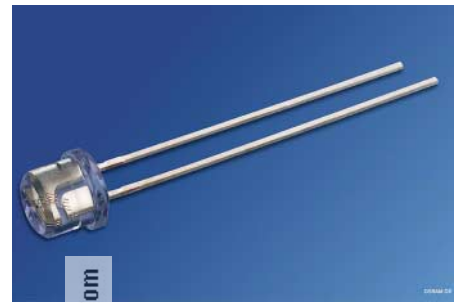


# Impuls-Laserdiode im Plastikgehäuse 10 W Spitzenleistung Pulsed Laser Diode in Plastic Package 10 W Peak Power

## SPL PL85



### Besondere Merkmale

- Kostengünstiges Plastikgehäuse
- Zuverlässiges InGaAs/GaAs kompressiv verspanntes Halbleiter-Material
- Hochleistungslaser mit „Large-Optical-Cavity“ (LOC) Struktur für ein schmales Fernfeld
- Laterale Austrittsöffnung 200 µm

### Anwendungen

- Entfernungsmessung
- Sicherheit, Überwachung
- Beleuchtung, Zündung
- Test- und Messsysteme

### Sicherheitshinweise

Je nach Betriebsart emittieren diese Bauteile hochkonzentrierte, nicht sichtbare Infrarot-Strahlung, die gefährlich für das menschliche Auge sein kann. Produkte, die diese Bauteile enthalten, müssen gemäß den Sicherheitsrichtlinien der IEC-Norm 60825-1 behandelt werden.

### Features

- Low cost plastic package
- Reliable strained InGaAs/GaAs material
- High power large-optical-cavity (LOC) structure for a narrow far-field
- Lateral laser aperture 200 µm

### Applications

- Range finding
- Security, surveillance
- Illumination, ignition
- Test and measurement systems

### Safety Advices

Depending on the mode of operation, these devices emit highly concentrated non visible infrared light which can be hazardous to the human eye. Products which incorporate these devices have to follow the safety precautions given in IEC 60825-1 “Safety of laser products”.

Typ Type	Opt. Spitzenausgangsleistung Opt. Peak Power	Wellenlänge Wavelength	Bestellnummer Ordering Code
SPL PL85	10 W	850 nm	Q62702P1759

**HY-LINE**<sup>®</sup>  
POWER COMPONENTS 1

Deutschland:  
Inselkammerstraße 10  
D-82008 Unterhaching  
Tel.: 089 614 503-10  
E-Mail: power@hy-line.de  
URL: www.hy-line.de

Schweiz:  
Gründenstraße 82  
CH-8247 Flurlingen  
Tel.: 052 647 42 00  
E-Mail: power@hy-line.ch  
URL: www.hy-line.ch

2004-11-29

Grenzwerte ( $T_A = 25\text{ °C}$ )

## Maximum Ratings

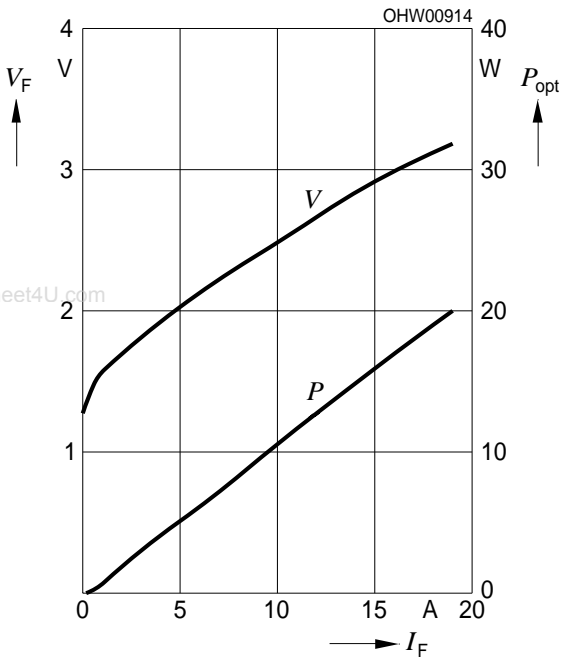
Parameter Parameter	Symbol Symbol	Werte Values		Einheit Unit
		min.	max.	
Spitzenausgangsleistung Peak output power	$P_{\text{peak}}$	–	13	W
Durchlaßstrom Forward current	$I_F$	–	12	A
Pulsbreite (Halbwertsbreite) Pulse width (FWHM)	$t_p$	–	100	ns
Tastverhältnis Duty cycle	<i>d.c.</i>	–	0.1	%
Sperrspannung Reverse voltage	$V_R$	–	3	V
Betriebstemperatur Operating temperature	$T_{\text{op}}$	- 40	+ 85	°C
Lagertemperatur Storage temperature	$T_{\text{stg}}$	- 40	+ 100	°C
Löttemperatur ( $t_{\text{max}} = 10\text{ s}$ , 2 mm von Gehäuseunterseite) Soldering temperature ( $t_{\text{max}} = 10\text{ s}$ , 2 mm from bottom edge of case)	$T_s$	–	+ 260	°C

**Optische Kennwerte ( $T_A = 25\text{ °C}$ )**  
**Optical Characteristics**

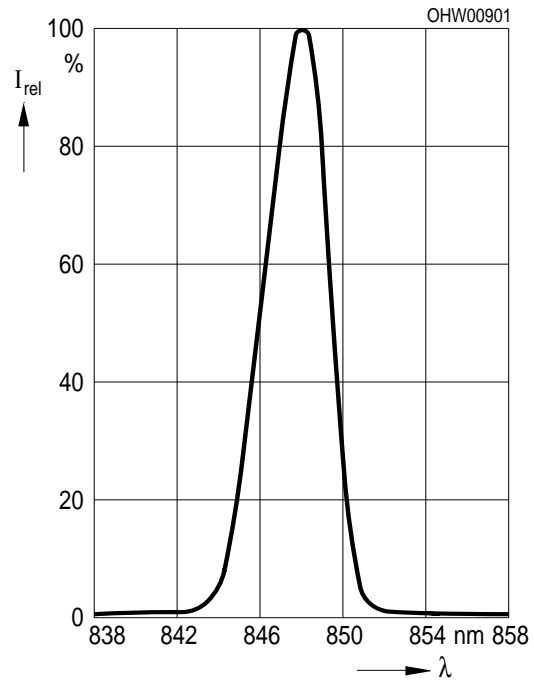
Parameter Parameter	Symbol Symbol	Werte Values			Einheit Unit
		min.	typ.	max.	
Zentrale Emissionswellenlänge <sup>1)</sup> Emission wavelength <sup>1)</sup>	$\lambda_{\text{peak}}$	840	850	860	nm
Spektrale Breite (Halbwertsbreite) <sup>1)</sup> Spectral width (FWHM) <sup>1)</sup>	$\Delta\lambda$	–	4	–	nm
Spitzenausgangsleistung <sup>1)</sup> Peak output power <sup>1)</sup>	$P_{\text{op}}$	7	10	13	W
Schwellstrom Threshold current	$I_{\text{th}}$	0.5	0.75	1	A
Betriebsspannung <sup>1)</sup> Operating voltage <sup>1)</sup>	$V_{\text{op}}$	2.0	2.5	3.0	V
Minimale Anstiegs- und Abfallzeit (10% ... 90%) Minimum rise and fall time (10% ... 90%)	$t_r, t_f$	–	1	–	ns
Austrittsöffnung Aperture size	$w \times h$		$200 \times 2$		$\mu\text{m}^2$
Strahldivergenz (Halbwertsbreite) Beam divergence (FWHM)	$\theta_{\parallel} \times \theta_{\perp}$	–	$11^\circ \times 25^\circ$	–	Grad deg.
Temperaturkoeffizient der Wellenlänge <sup>2)</sup> Temperature coefficient of wavelength <sup>2)</sup>	$\partial\lambda / \partial T$	–	0.25	–	nm/K
Temperaturkoeffizient der opt. Ausgangsleistung Temperature coefficient of optical power	$\partial P_{\text{op}} / P_{\text{op}} \partial T$	–	-0.4	–	%/K
Thermischer Widerstand Thermal resistance	$R_{\text{th JA}}$	–	160	–	K/W

- <sup>1)</sup> Standardbetriebsbedingungen beziehen sich auf eine Pulsbreite von 100 ns bei einer Frequenz von 1 kHz und einem Betriebsstrom von 10 A bei  $T_A = 25\text{ °C}$ .  
Standard operating conditions refer to pulses of 100 ns width at 1 kHz rate with 10 A operating current at  $T_A = 25\text{ °C}$ .

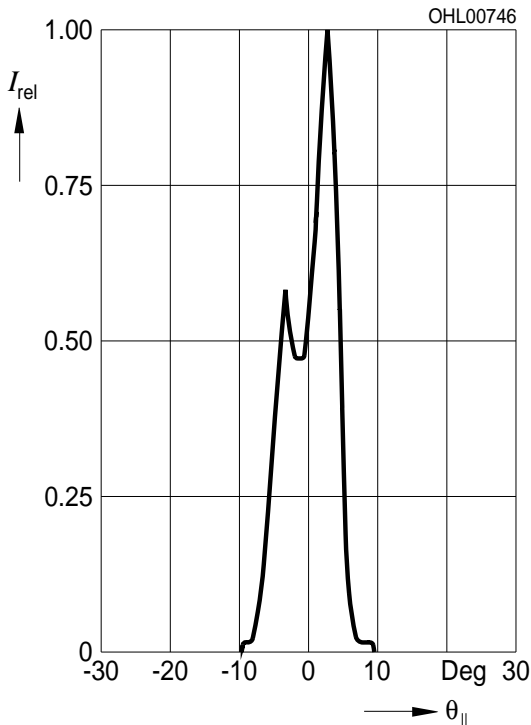
Optical output power  $P_{opt}$  and forward voltage  $V_F$  vs. forward current  $I_F$  ( $T_A = 25\text{ }^\circ\text{C}$ )



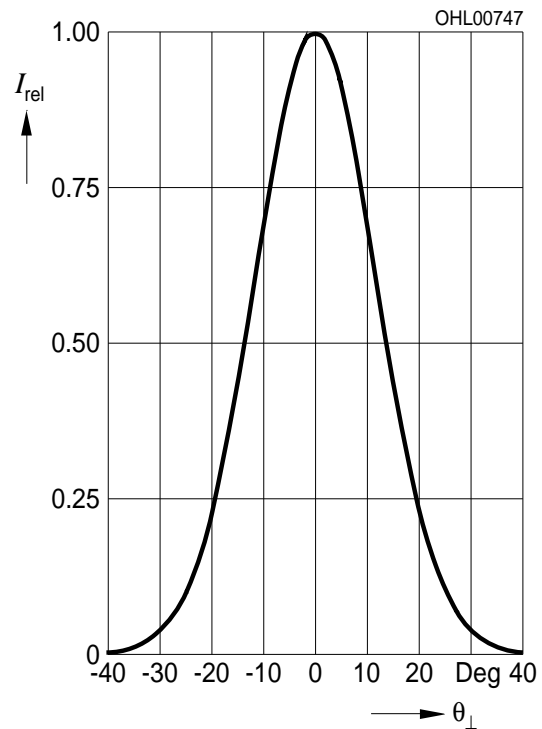
Optical spectrum, relative intensity  $I_{rel}$  vs. Wavelength  $\lambda$  ( $T_A = 25\text{ }^\circ\text{C}$ ,  $P_{opt} = 10\text{ W}$ )



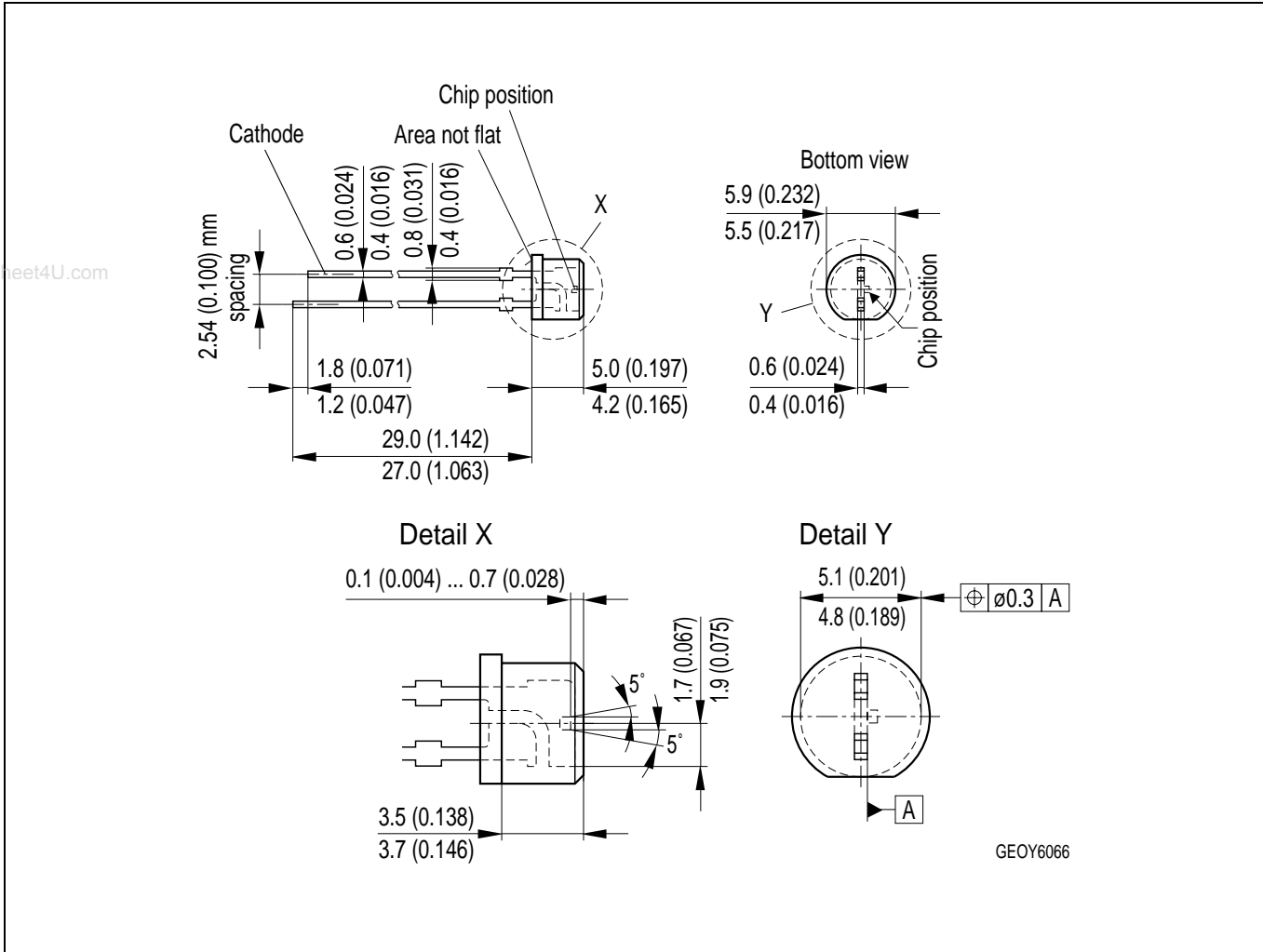
Far-field distribution parallel to junction  $I_{rel}$  vs.  $\theta_{||}$  ( $T_A = 25\text{ }^\circ\text{C}$ ,  $P_{opt} = 10\text{ W}$ )



Far-field distribution perpendicular to junction  $I_{rel}$  vs.  $\theta_{\perp}$  ( $T_A = 25\text{ }^\circ\text{C}$ ,  $P_{opt} = 10\text{ W}$ )



Maßzeichnung  
Package Outlines



GEOY6066

Maße werden wie folgt angegeben: mm (inch) /  
Dimensions are specified as follows: mm (inch).

Published by  
OSRAM Opto Semiconductors GmbH  
Wernerwerkstrasse 2, D-93049 Regensburg  
[www.osram-os.com](http://www.osram-os.com)

© All Rights Reserved.

The information describes the type of component and shall not be considered as assured characteristics. Terms of delivery and rights to change design reserved. Due to technical requirements components may contain dangerous substances. For information on the types in question please contact our Sales Organization.

#### Packing

Please use the recycling operators known to you. We can also help you – get in touch with your nearest sales office. By agreement we will take packing material back, if it is sorted. You must bear the costs of transport. For packing material that is returned to us unsorted or which we are not obliged to accept, we shall have to invoice you for any costs incurred.

**Components used in life-support devices or systems must be expressly authorized for such purpose!** Critical components <sup>1</sup>, may only be used in life-support devices or systems <sup>2</sup> with the express written approval of OSRAM OS.

<sup>1</sup> A critical component is a component used in a life-support device or system whose failure can reasonably be expected to cause the failure of that life-support device or system, or to affect its safety or effectiveness of that device or system.

<sup>2</sup> Life support devices or systems are intended (a) to be implanted in the human body, or (b) to support and/or maintain and sustain human life. If they fail, it is reasonable to assume that the health of the user may be endangered.

2004-11-29

**HY-LINE**<sup>®</sup>  
POWER COMPONENTS 6

Deutschland:  
Inselkammerstraße 10  
D-82008 Unterhaching  
Tel.: 089 614 503-10  
E-Mail: [power@hy-line.de](mailto:power@hy-line.de)  
URL: [www.hy-line.de](http://www.hy-line.de)

Schweiz:  
Gründenstraße 82  
CH-8247 Flurlingen  
Tel.: 052 647 42 00  
E-Mail: [power@hy-line.ch](mailto:power@hy-line.ch)  
URL: [www.hy-line.ch](http://www.hy-line.ch)